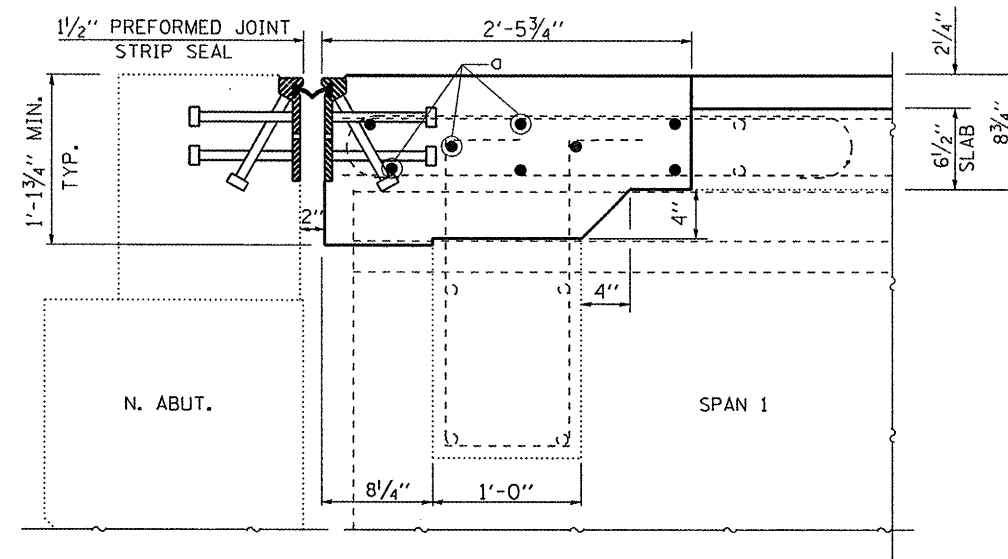
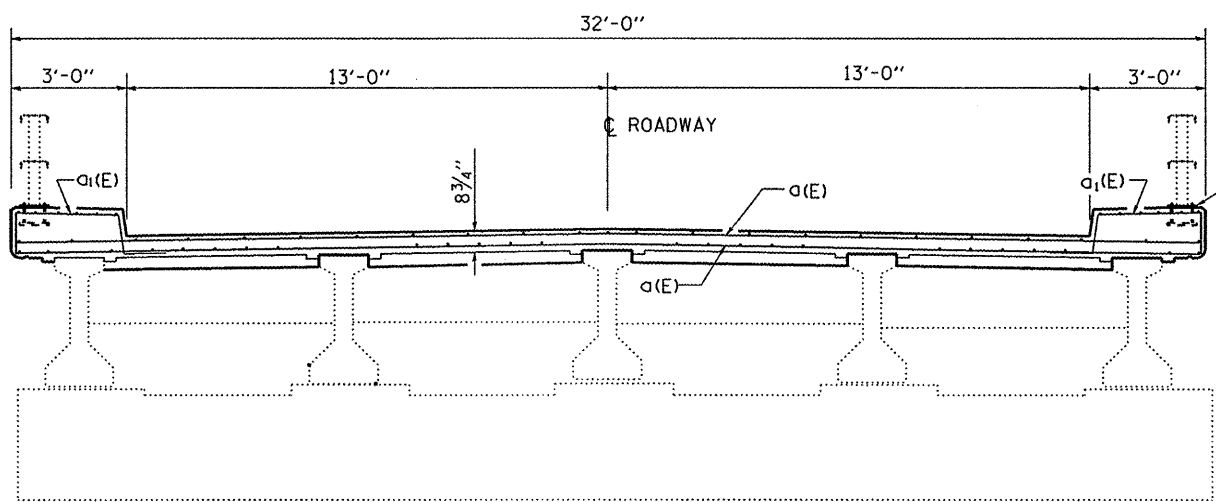


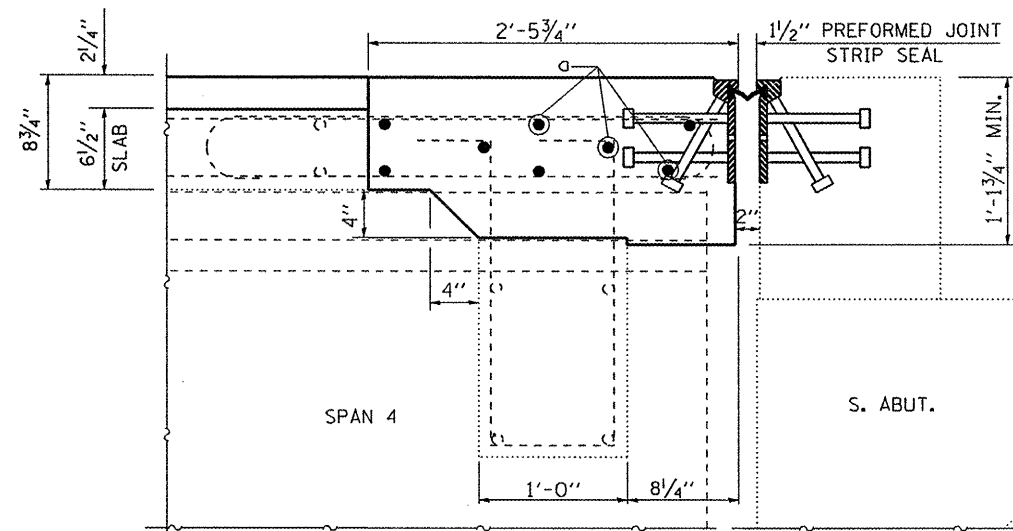
**SOUTH ELEVATION
NORTH ABUTMENT**



SECTION A'-A'



**NORTH ELEVATION
SOUTH ABUTMENT**



SECTION B'-B'

FILE NAME =	USER NAME = woodshankrj	DESIGNED - RON WOODSHANK	REVISED -
ct:\pwork\PW100T\WOODSHANKRL\dms91658	D366935-details.dgn	DRAWN - RON WOODSHANK	REVISED -
	PLOT SCALE = 20.0000' / IN.	CHECKED -	REVISED -
	PLOT DATE = Apr 30, 2009 - 07:54:37 AM	DATE -	REVISED -

**STATE OF ILLINOIS
DEPARTMENT OF TRANSPORTATION**

PROPOSED SLAB DETAILS AT ABUTMENTS

SCALE: SHEET NO. 12 OF 18 SHEETS STA. TO STA.

F.A.I. RTE. 80	SECTION (50-41)	COUNTY LASALLE	TOTAL SHEETS 25	SHEET NO. 19
ILLINOIS			CONTRACT NO. 66935	