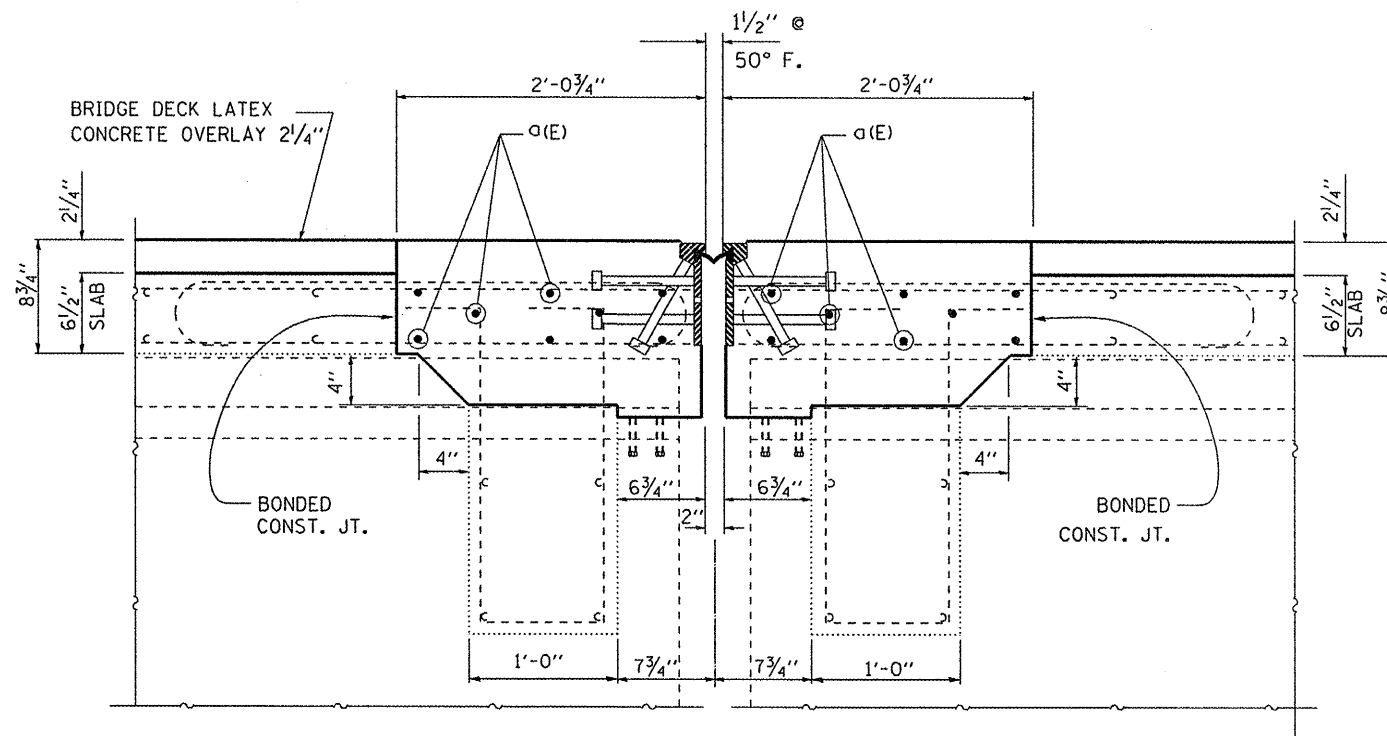
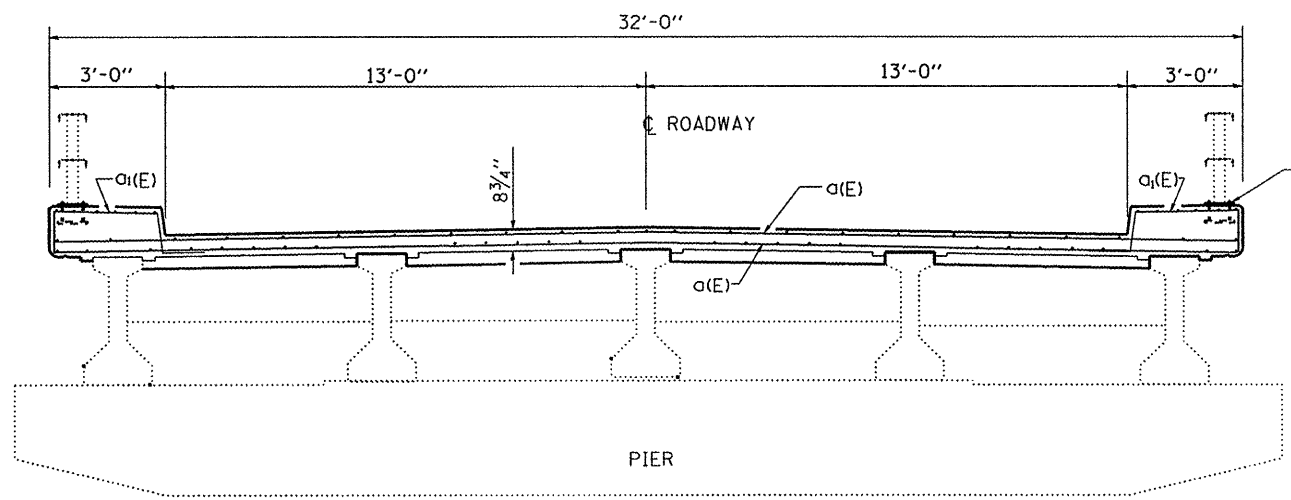


**NORTH ELEVATION**  
PIER 1 - SPAN 1

NEW ANCHOR ASSEMBLIES  
(TYP.) AT DECK JOINTS



**SECTION C'-C'**



**SOUTH ELEVATION**  
PIER 1 - SPAN 2

NEW ANCHOR ASSEMBLIES  
(TYP.) AT DECK JOINTS

FILE NAME =	USER NAME = woodshankr1	DESIGNED - RON WOODSHANK	REVISED -
c:\pwwork\pwwid01\WOODSHANKR1\dms91658	D368935-details.dgn	DRAWN - RON WOODSHANK	REVISED -
	PLOT SCALE = 20.0000' / IN.	CHECKED -	REVISED -
	PLOT DATE = Apr 30, 2009 - 07:54:59 AM	DATE -	REVISED -

STATE OF ILLINOIS  
DEPARTMENT OF TRANSPORTATION

PROPOSED SLAB DETAILS AT PIER 1

SCALE: SHEET NO. 13 OF 18 SHEETS STA. TO STA.

F.A.I. RTE.	SECTION	COUNTY	TOTAL SHEETS	SHEET NO.
80	(50-41)	LASALLE	25	20
CONTRACT NO. 66935			ILLINOIS	