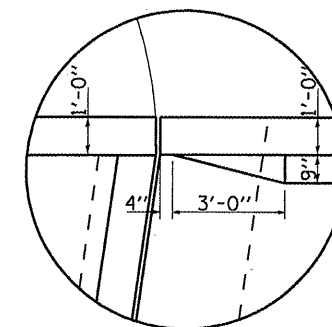


**ELEVATION**



**CORNER DETAIL  
TYPICAL**

**GENERAL NOTES**

PLAN DIMENSIONS AND DETAILS RELATIVE TO EXISTING PLANS ARE SUBJECT TO ROUTINE VARIATIONS. THE CONTRACTOR SHALL FIELD VERIFY EXISTING DIMENSIONS AND DETAILS AFFECTING NEW CONSTRUCTION AND MAKE NECESSARY APPROVED ADJUSTMENTS PRIOR TO CONSTRUCTION OR ORDERING OF MATERIALS. SUCH VARIATIONS SHALL NOT BE CAUSE FOR ADDITIONAL COMPENSATION FOR A CHANGE IN THE SCOPE OF THE WORK. HOWEVER, THE CONTRACTOR WILL BE PAID FOR THE QUANTITY FURNISHED BASED UPON THE UNIT BID FOR THE WORK.

REINFORCEMENT BARS SHALL CONFORM TO THE REQUIREMENTS OF ASTM A 706 GR 60. SEE SPECIAL PROVISIONS.

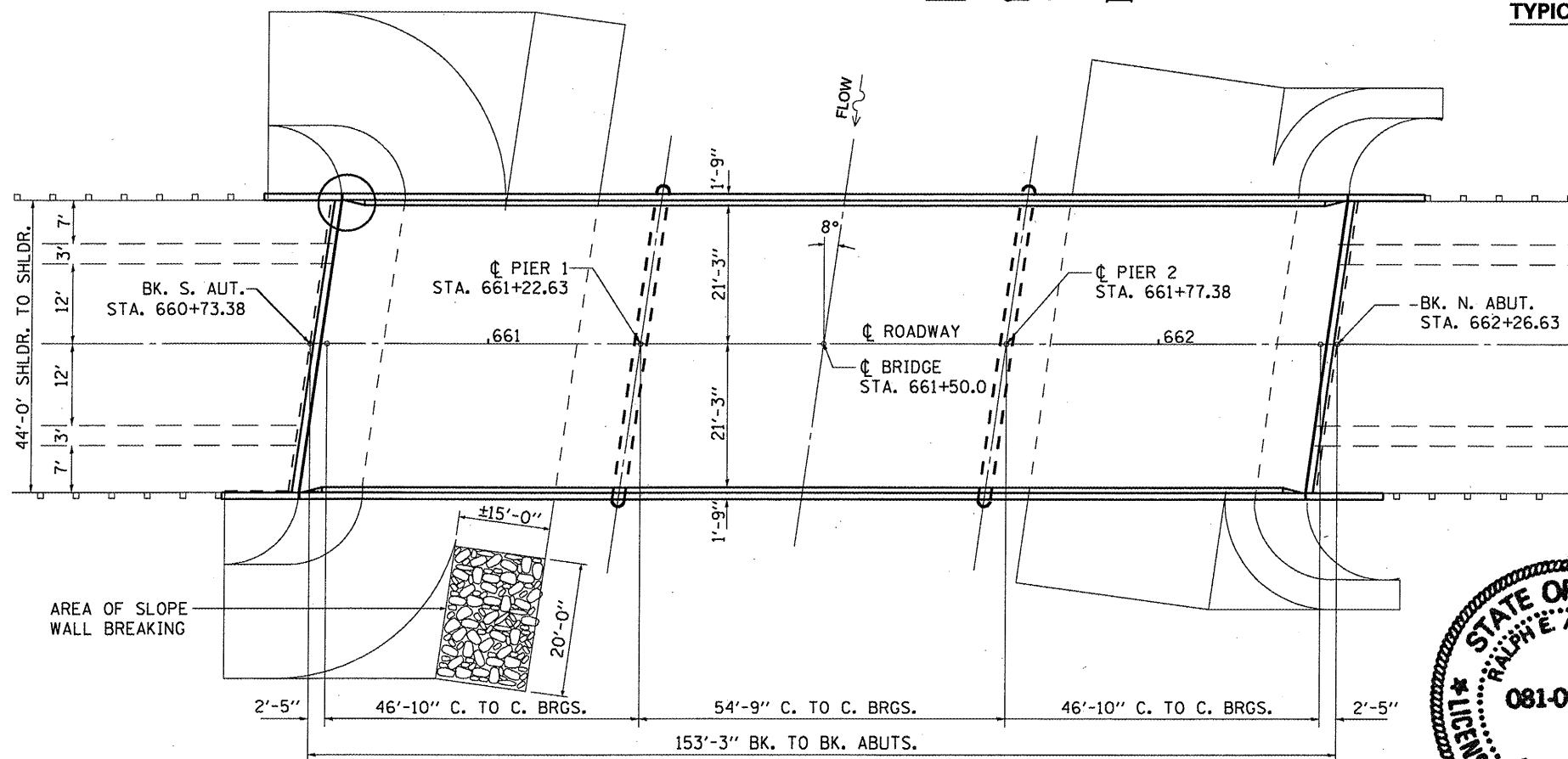
JOINT OPENINGS SHALL BE ADJUSTED ACCORDING TO ARTICLE 520.04 OF THE STANDARD SPECIFICATIONS WHEN THE DECK IS POURED AT AN AMBIENT TEMPERATURE OTHER THAN 50

ALL STRUCTURAL STEEL SHALL CONFORM TO AASHTO CLASSIFICATION M-270 GR. 36, UNLESS OTHERWISE NOTED.

REINFORCEMENT BARS DESIGNATED (E) SHALL BE EPOXY COATED.

EXISTING REINFORCEMENT BARS EXTENDING INTO REMOVAL AREA SHALL BE CLEANED, STRAIGHTENED AND INCORPORATED INTO THE NEW CONSTRUCTION. ANY REINFORCEMENT BARS THAT ARE DAMAGED DURING CONCRETE REMOVAL SHALL BE REPLACED WITH AN APPROVED BAR SPLICER OR ANCHORAGE SYSTEM. COST INCLUDED WITH CONCRETE REMOVAL.

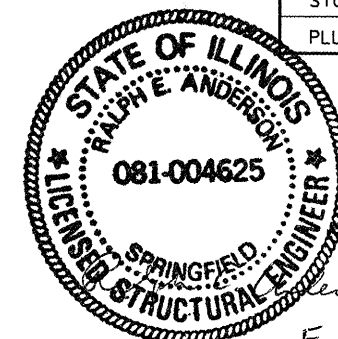
THE CONTRACTOR WILL BE REQUIRED TO MARK ON THE TOP OF THE CONCRETE DECK THE LOCATIONS OF THE TOP FLANGE OF ALL STEEL BEAMS PRIOR TO ANY REMOVAL OF THE BRIDGE CONCRETE DECK. SAW CUTTING DIRECTLY OVER THE TOP OF BEAM FLANGES IS NOT PERMITTED.



**PLAN**

**TOTAL BILL OF MATERIAL**

ITEM	UNIT	SUPER	SUB	TOTAL
HMA SURFACE REMOVAL (DECK)	SQ YD	687		687
CONCRETE REMOVAL	CU YD	12.3	0.7	13
REINFORCEMENT BARS, EPOXY COATED	POUND	960	980	1940
BAR SPLICERS	EACH	12	12	24
CONCRETE STRUCTURES	CU YD		0.7	0.7
CONCRETE SUPERSTRUCTURE	CU YD	12.3		12.3
PREFORMED JOINT STRIP SEAL	FOOT	90		90
WATERPROOFING MEMBRANE SYSTEM	SQ YD	687		687
HOT-MIX ASPHALT, SURFACE CSE. MIX C, N50	TON	58		58
Floor DRAIN EXTENSION	EACH	20		20
SLOPE WALL BREAKING	SQ YD		33	33
STONE DUMPED RIPRAP, CL A4	SQ YD		33	33
PLUG EXISTING DECK DRAIN	SQ YD	20		20



**IL 23 (FAP 68) OVER  
INDIAN CREEK  
SN 050-0159  
STA. 661+50**