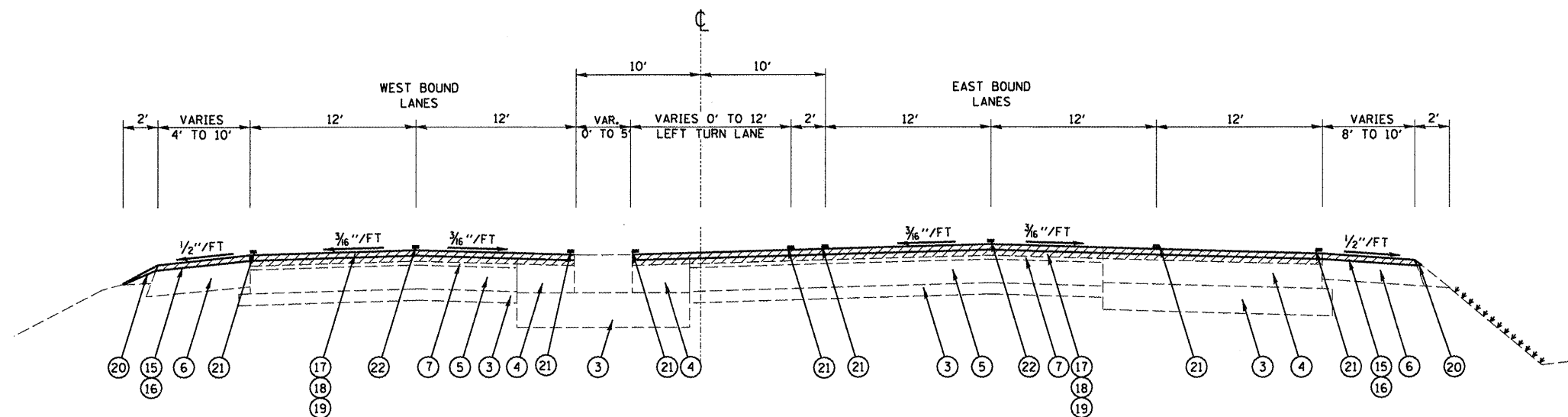


WESTWOOD DRIVE
(See Schedule of Quantity for Locations and Limits)

LEGEND

- 1 EXIST. CONC. CURB & GUTTER
- 2 EXIST. CONC. MEDIAN SURF. 4"
- 3 EXIST. SUB-BASE GRAN. MATL.
- 4 EXIST. P.C.C. BASE COURSE
- 5 EXIST. P.C.C. PAVEMENT 10"
- 6 EXIST. HMA. SHOULDER 8"
- 7 EXIST. HMA. CONC. OVERLAY 4 3/4 "
- 8 EXIST. P.C.C. SIDEWALK 4"

- 15 PROP. HMA. SURF. REM (CM) 1 1/2 "
- 16 PROP. HMA. SHOULDERS 1 1/2 "
- 17 PROP. HMA. SURF. REM (CM) 2 1/4 "
- 18 PROP. POLY. LEVELING BINDER (MM), IL-4.75, N50 3/4 "
- 19 PROP. POLY. HMA. SURF. CRSE., MIX "E", N70, 1 1/2"
- 20 PROP. AGGREGATE SHOULDER TY. B
- 21 PROP. EPOXY PAVT. MARKING LINE
- 22 PROP. PREF. PLASTIC PAVT. MARKING LINE



PROPOSED TYPICAL SECTION
(WAR MEMORIAL DRIVE)
STA. 267+50 TO STA. 272+96

FILE NAME = 68293.dgn	USER NAME = tisdalebl	DESIGNED - SOBHI LABADIDI	REVISED -	STATE OF ILLINOIS DEPARTMENT OF TRANSPORTATION	TYPICAL SECTIONS - US 150 & WESTWOOD DR.	F.A.P. RTE. 317	SECTION (117,11)RS-3	COUNTY PEORIA	TOTAL SHEETS 48	SHEET NO. 12	
	PLOT SCALE = 100.0000 ' / IN.	DRAWN -	REVISED -			SCALE: _____ SHEET NO. ___ OF ___ SHEETS STA. 253+16 TO STA. 266+70					
	PLOT DATE = 3/19/2009	CHECKED -	REVISED -			ILLINOIS FED. AID PROJECT CONTRACT NO. 68293					