

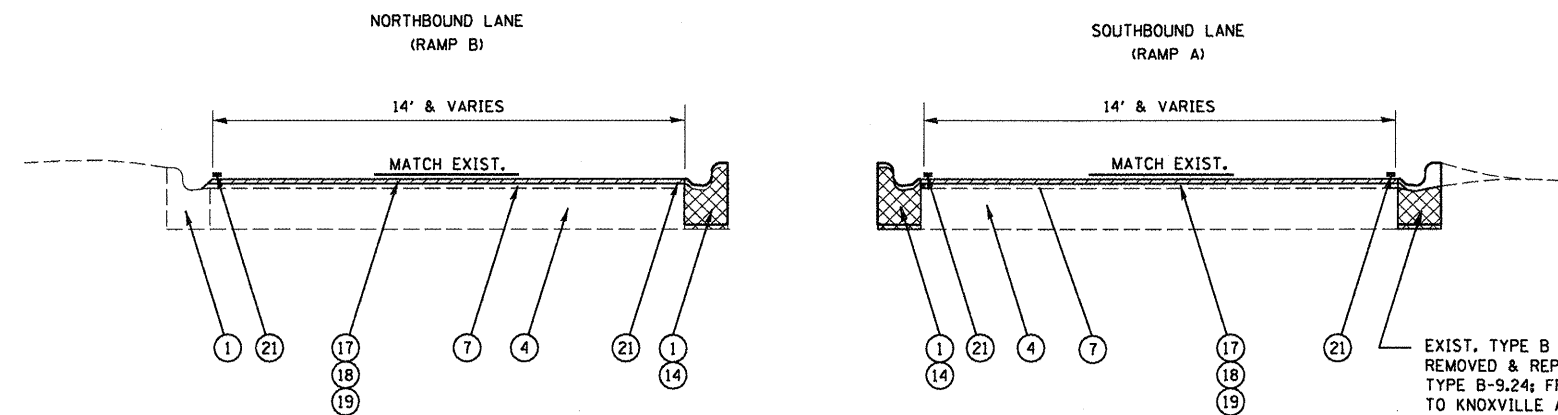
* EXIST. TYPE B GUTTER; TO BE REMOVED & REPLACED; FROM STA. 291+92 TO STA. 299+00

PROPOSED TYPICAL SECTION
(WAR MEMORIAL DRIVE)
STA. 296+80 TO STA. 299+22
(EASTBOUND ENDS PAVING AT STA. 297+30)

PROP. COLD MILLING

LEGEND

- 1 EXIST. CONC. CURB & GUTTER
- 2 EXIST. CONC. MEDIAN SURF. 4"
- 3 EXIST. SUB-BASE GRAN. MATL.
- 4 EXIST. P.C.C. BASE COURSE
- 5 EXIST. P.C.C. PAVEMENT 10"
- 6 EXIST. HMA. SHOULDER 8"
- 7 EXIST. HMA. CONC. OVERLAY 4 3/4 "
- 8 EXIST. P.C.C. SIDEWALK 4"
- 14 PROP. CCC&G, TY B-6.12
- 15 PROP. HMA. SURF. REM (CM) 1 1/2 "
- 16 PROP. HMA. SHOULDERS 1 1/2 "
- 17 PROP. HMA. SURF. REM (CM) 2 1/4 "
- 18 PROP. POLY. LEVELING BINDER (MM), IL-4.75, N50 3/4 "
- 19 PROP. POLY. HMA. SURF. CRSE., MIX "E", N70, 1 1/2"
- 20 PROP. AGGREGATE SHOULDER TY. B
- 21 PROP. EPOXY PAVT. MARKING LINE
- 22 PROP. PREF. PLASTIC PAVT. MARKING LINE



PROPOSED TYPICAL SECTION
RAMPS ON SOUTHWEST QUAD @ KNOXVILLE

FILE NAME * 68293.dgn	USER NAME = tisdolebl	DESIGNED - SOBHI LABADIDI	REVISED -	STATE OF ILLINOIS DEPARTMENT OF TRANSPORTATION	TYPICAL SECTIONS - US 150		F.A.P. RTE. 317	SECTION (117,11)RS-3	COUNTY PEORIA	TOTAL SHEETS 48	SHEET NO. 16
	PLOT SCALE = 100.0145 ' / IN.	CHECKED -	REVISED -				SCALE: _____ SHEET NO. ___ OF ___ SHEETS		STA. 278+50 TO STA. 299+22		CONTRACT NO. 68293
	PLOT DATE = 3/19/2009	DATE -	REVISED -								