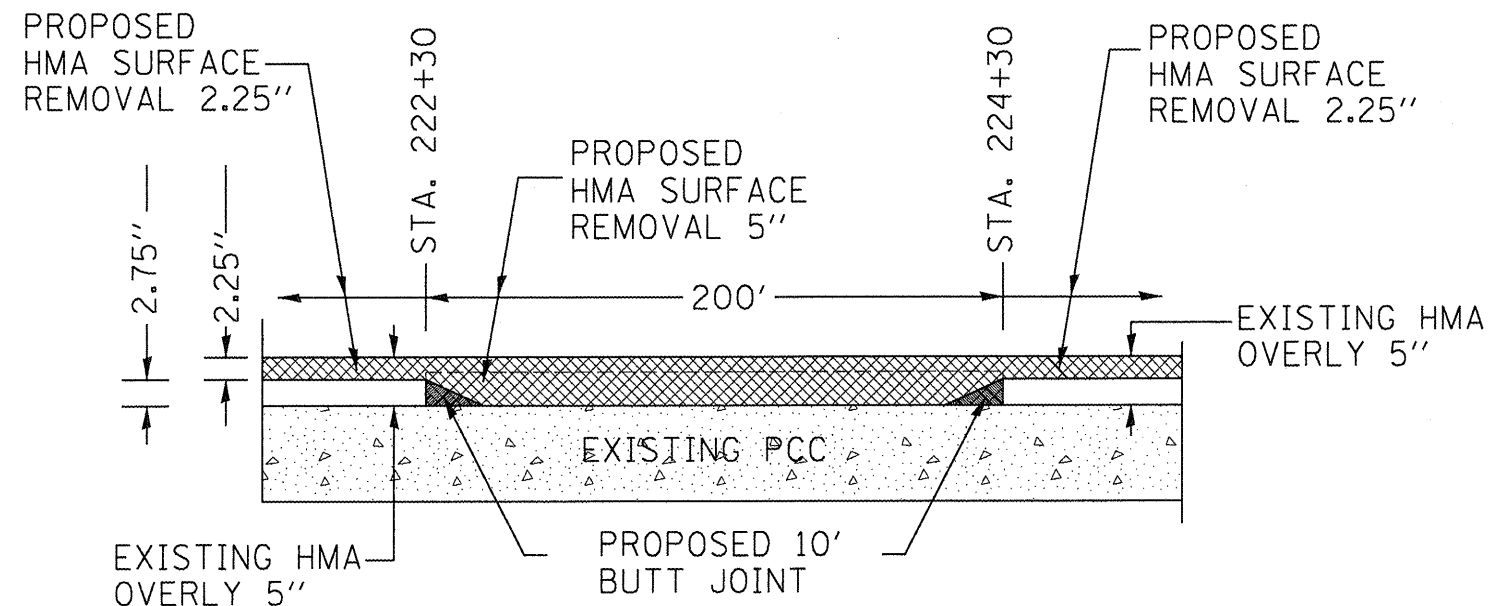
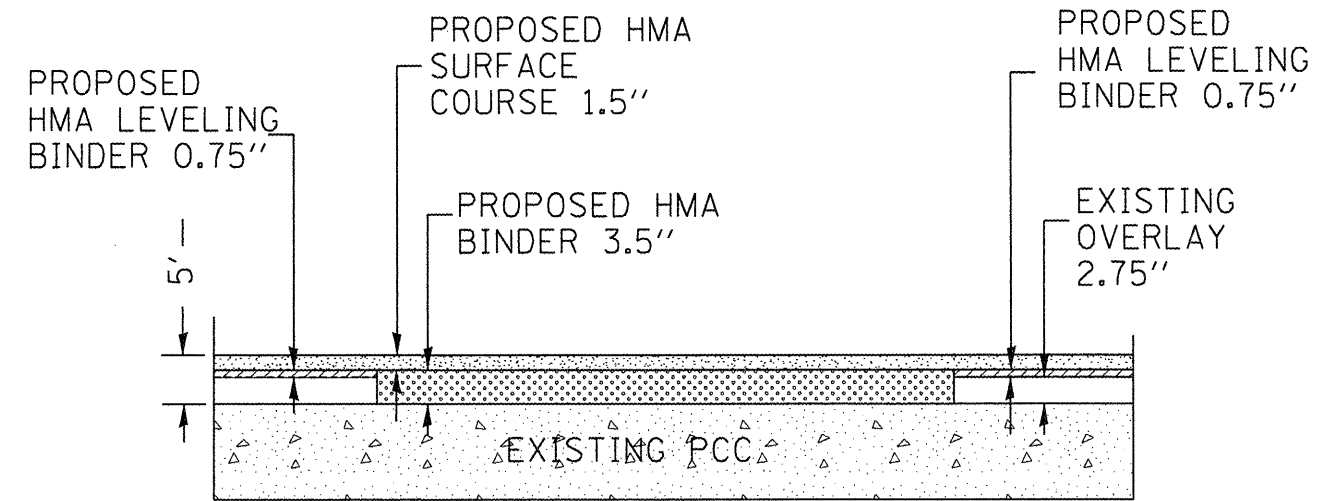


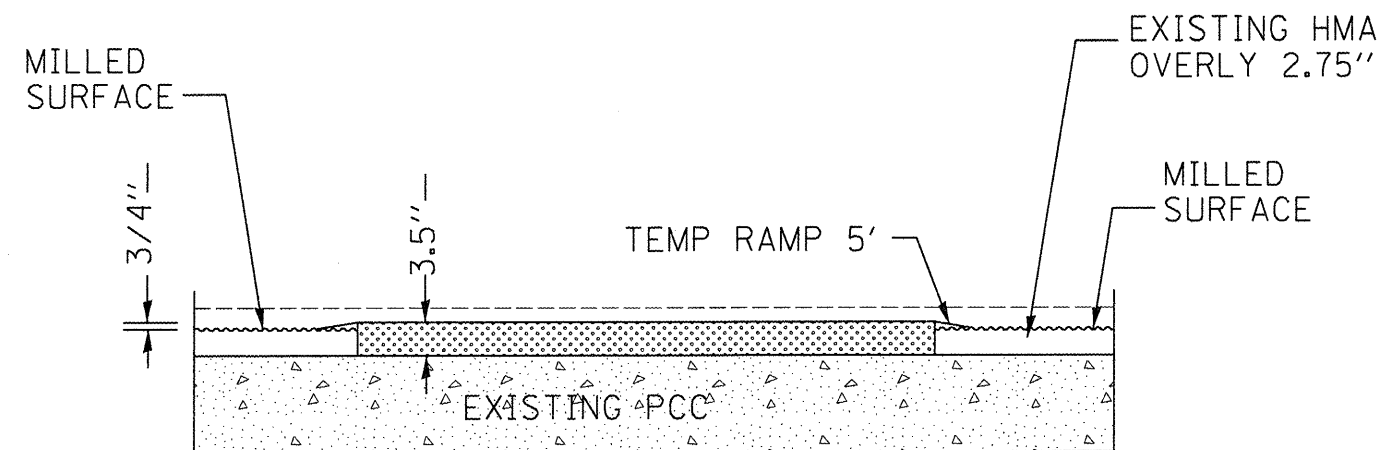
THIS DETAIL APPLIES TO THE AREA LOCATED BETWEEN STA. 222+30 TO STA. 224+30 ON THE EAST BOUND



① AT THIS LOCATION; EXISTING HMA OVERLAY WILL BE MILLED TO THE EXISTING PCC



③ PROPOSED HMA SURFACE COURSE WILL BE PLACED 1.5" ON TOP OF THE BINDER COURSE.



② PROPOSED HMA BINDER COURSE WILL BE PLACED APPROXIMATELY 3.5" DEEP. THIS LIFT OF BINDER COURSE SHALL BE 3/4" ABOVE THE ADJACENT MILLED SURFACE

NO LEVELING BINDER MIX SHALL BE USED AT THIS LOCATION

- PROP. HMA. SURF. REM (CM) 2 1/4" TO 5"
- PROP. POLY. HMA. BINDER COURSE 3 1/2"
- PROP. LEVELING BINDER COURSE 3/4"
- PROP. HMA. SURF. COURSE 1 1/2"