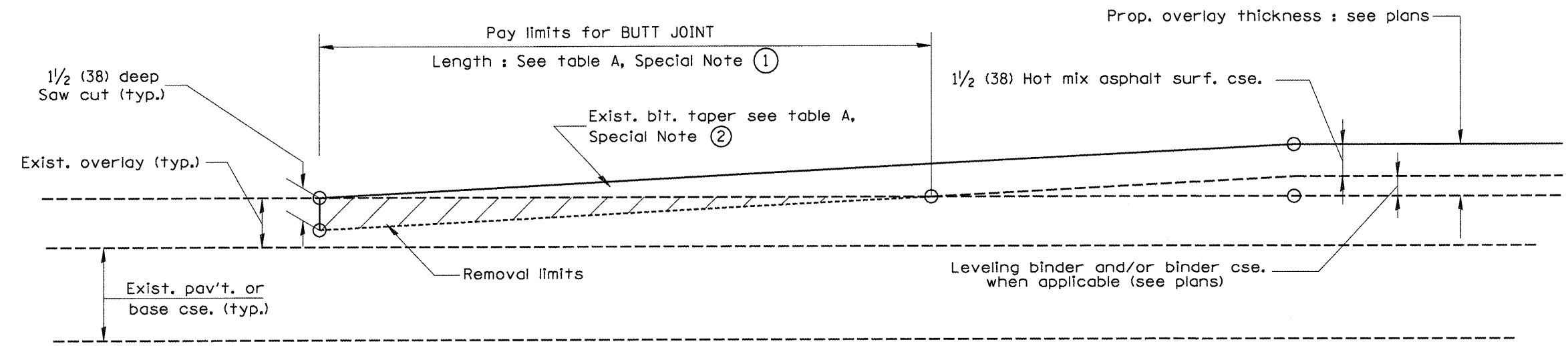
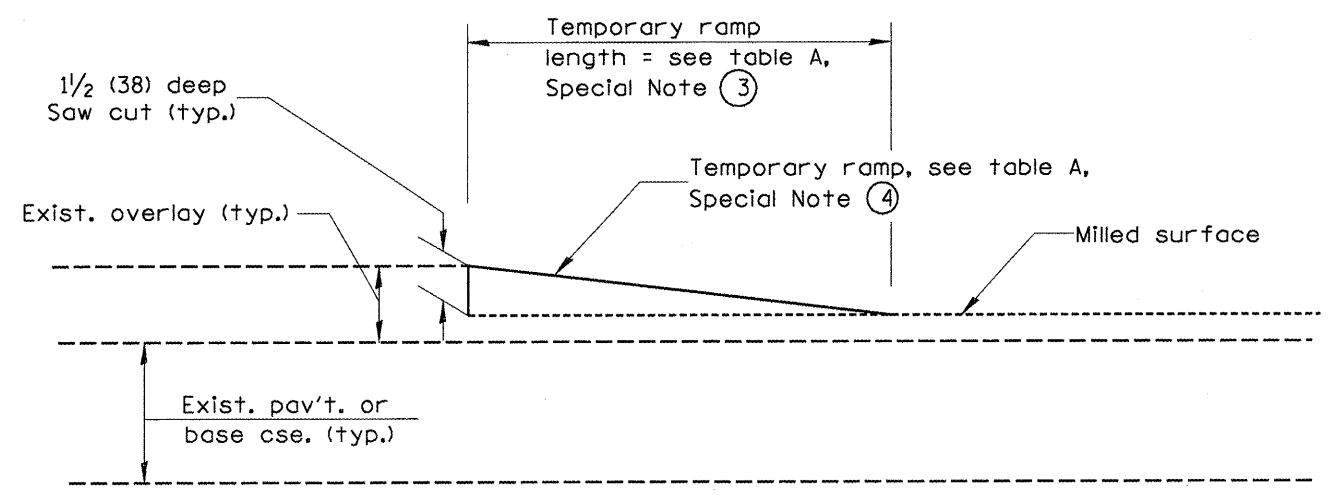


**CASE 3 : WITH HOT MIX ASPHALT SURFACE REMOVAL (COLD MILLING)  
TIE-IN TO EXISTING BITUMINOUS TAPER**



**CASE 4 : NO HOT MIX ASPHALT SURFACE REMOVAL (COLD MILLING)  
TIE-IN TO EXISTING BITUMINOUS TAPER**



**DETAIL TEMPORARY RAMP**

All dimensions are in inches (millimeters) unless otherwise noted.

STATE OF ILLINOIS DEPARTMENT OF TRANSPORTATION		BUTT JOINTS		F.A.P. RTE. 317 SECTION (117,11RS-3) COUNTY PEORIA TOTAL SHEETS 48 SHEET NO. 36 CONTRACT NO. 68293 FED. ROAD DIST. NO. ILLINOIS FED. AID PROJECT	
NOT TO SCALE		SHT. 2 OF 3 CA00.S10.406101:04			