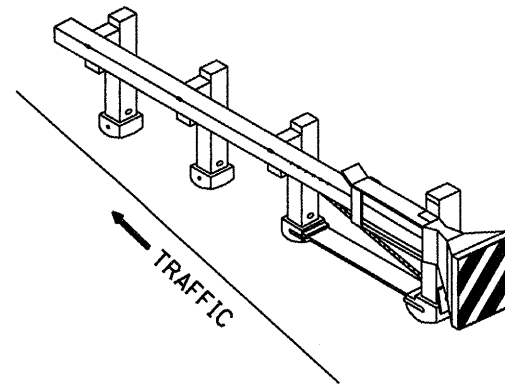
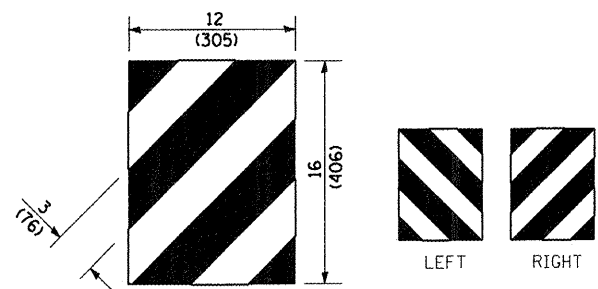


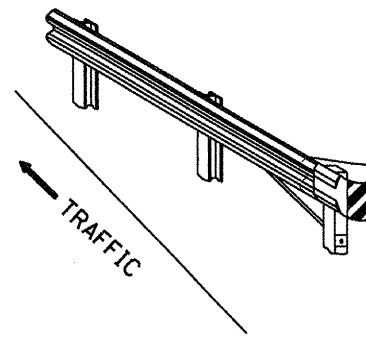
For Traffic Barrier Terminal Type 1 (Special)



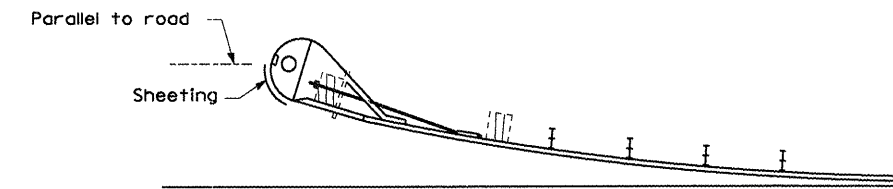
Standard Treatment - Direct Applied Sheeting
Traffic Barrier Terminal Type 1 (Special)



For Traffic Barrier Terminal Type (*)
and Post Mount
• See Plans for Type



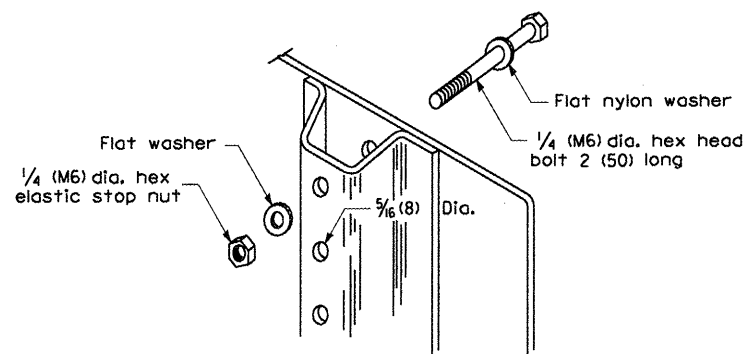
Standard Treatment - Direct Applied Sheeting
Traffic Barrier Terminal Type (*)
• See Plans for Type



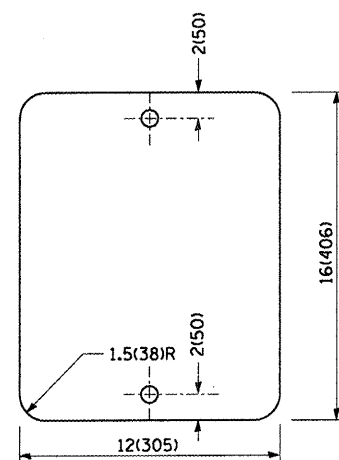
Sheeting Position for
Traffic Barrier Terminal Type (*)
• See Plans for Type

TERMINAL MARKER DETAILS

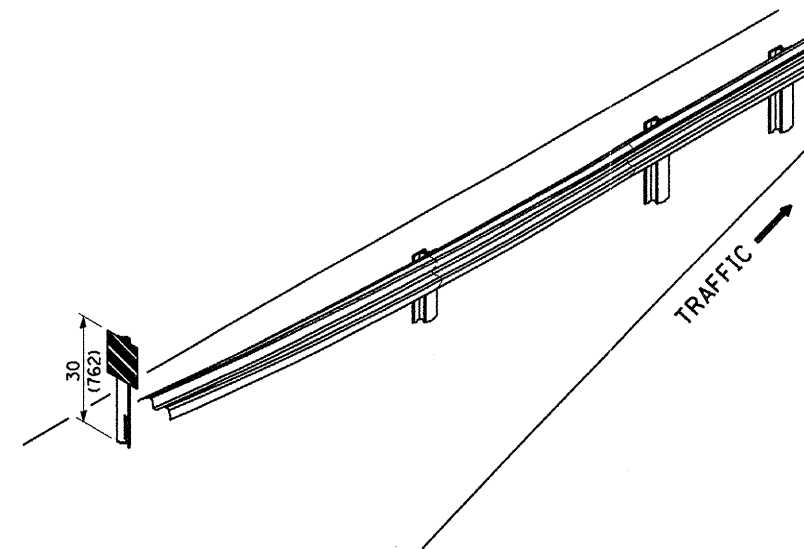
- Color: Black / Yellow reflectorized
- OM - I100 (L or R) Direct applied reflective sheeting
- OM - I200 (L or R) Post mounted



DETAIL OF MOUNTING TERMINAL MARKER TO POST



STANDARD TERMINAL MARKER



ALTERNATE TREATMENT - POST MOUNTED
(For turned-down terminal where sheeting cannot be direct applied)

TERMINAL MARKER TREATMENTS

GENERAL NOTES

All dimensions are in Inches (millimeters) unless otherwise noted.

POST MOUNTED TERMINAL MARKER ASSEMBLY

STATE OF ILLINOIS DEPARTMENT OF TRANSPORTATION		GUARDRAIL AND BARRIER WALL DELINEATION		F.A.P. RTE. 317		SECTION (117.11)RS-3		COUNTY PEORIA		TOTAL SHEETS 48		SHEET NO. 45	
		NOT TO SCALE		SHI. 2 OF 3 CAQQ_S10..635101:04		CONTRACT NO. 68293		FED. ROAD DIST. NO. ILLINOIS FED. AID PROJECT					