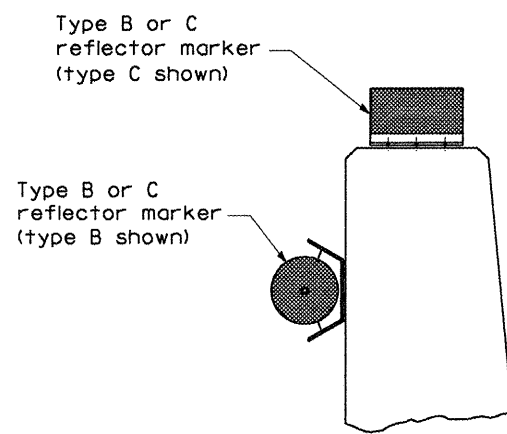
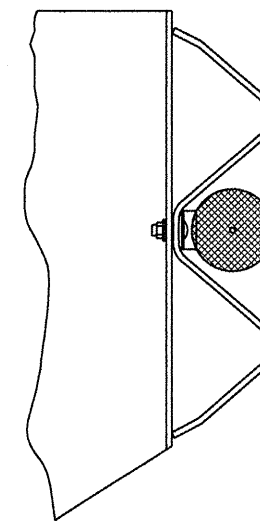
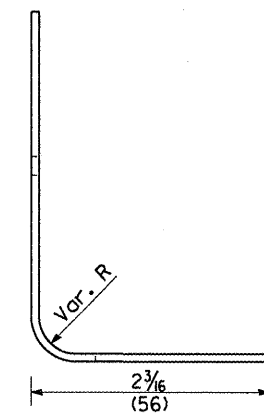
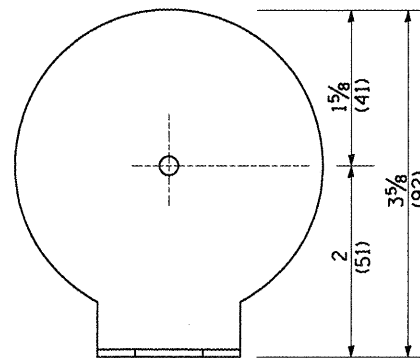
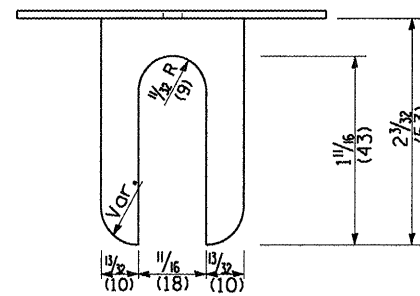


TYPICAL MOUNTING DETAIL FOR BRIDGE RAIL REFLECTOR

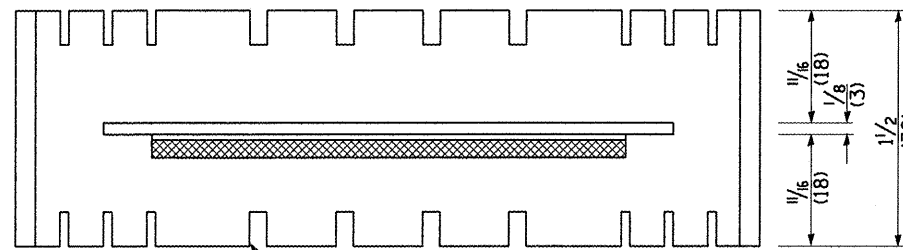


TYPICAL MOUNTING DETAIL FOR BARRIER WALL REFLECTOR

REFLECTOR MOUNTING



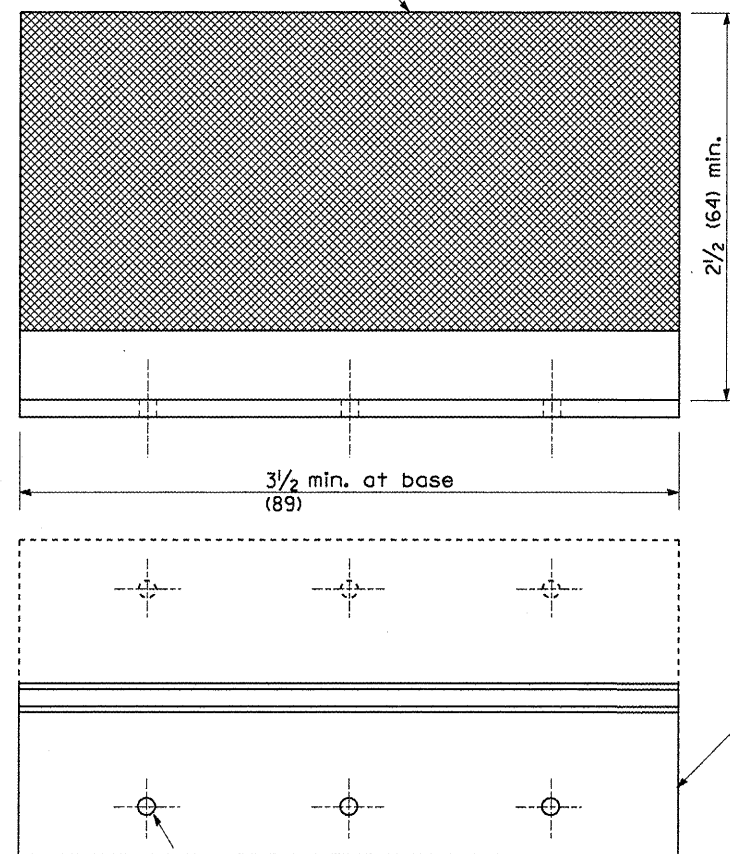
TYPICAL GUARDRAIL MOUNTING WITH REFLECTOR MARKER TYPE A



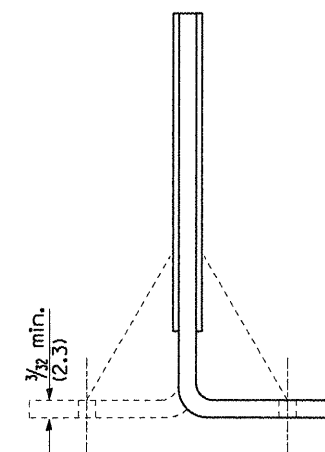
Adhesive weep slots or holes equally spaced on both sides

REFLECTOR MARKER TYPE A

Min. reflective area 6 1/2 sq. in. (4,194 mm²) each side. May be rectangular or slight trapezoid.

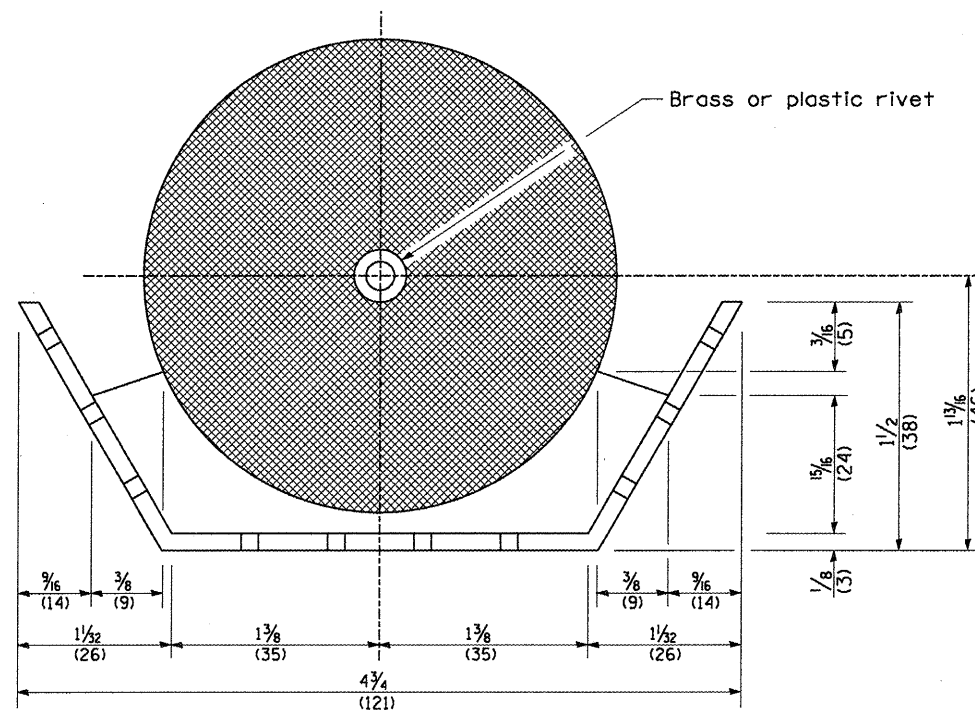


Minimum total area of base 7.0 Sq. in. (4,516 mm²)

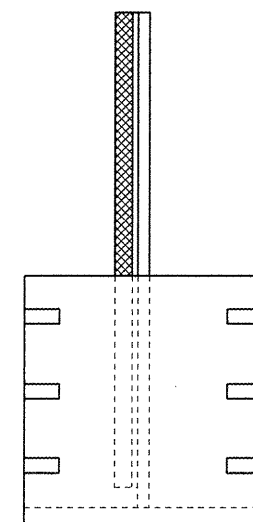


Cross section may be "T" or "L" shaped and may have side supports at ends.

REFLECTORS



REFLECTOR MARKER TYPE B



3 min. adhesive weep holes or slots each side, variable spacing.

REFLECTOR MARKER TYPE C

F.A.P. RTE.	SECTION	COUNTY	TOTAL SHEETS	SHEET NO.
317	(117.11)RS-3	PEORIA	48	46
CONTRACT NO. 68293				