

DESIGNER: CLARK JONES
PHONE: (309)671-3452

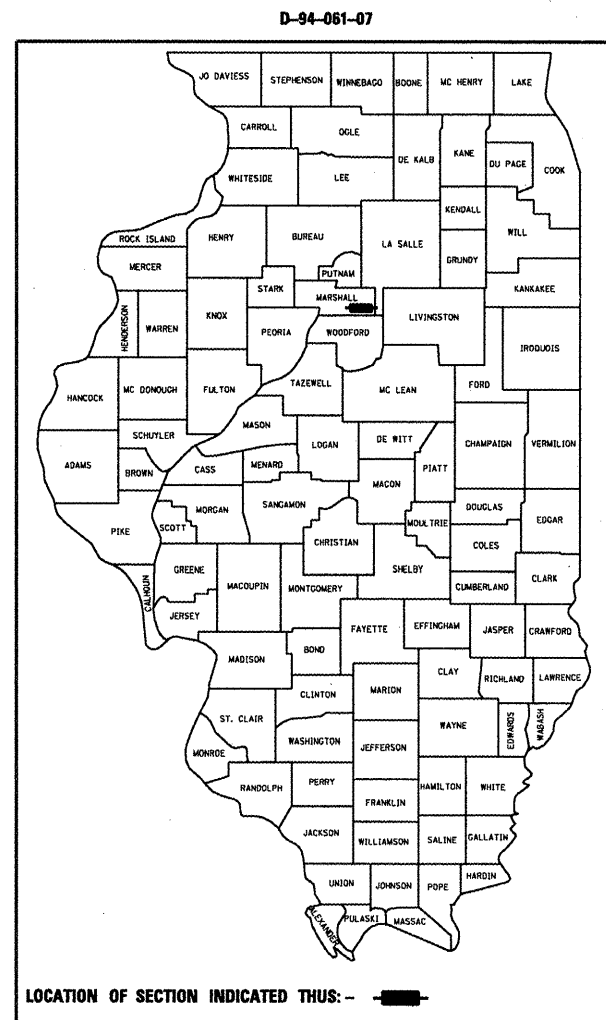
PROJECT ENGINEER: JIM MILLER
PHONE: (309)671-3451

F.A.P. RTE.	SECTION	COUNTY	TOTAL SHEETS	SHEET NO.
412	(62-2HB-2)I	MARSHALL	9	1
FED. ROAD DIST. NO. 4		ILLINOIS	CONTRACT NO. 68729	

STATE OF ILLINOIS
DEPARTMENT OF TRANSPORTATION
DIVISION OF HIGHWAYS

**PROPOSED
HIGHWAY PLANS**

FAI 39 (I-39)
SECTION (62-2HB-2)I
BRIDGE DECK WATERPROOFING
MARSHALL COUNTY
PROJECT IM-039-1(027)035

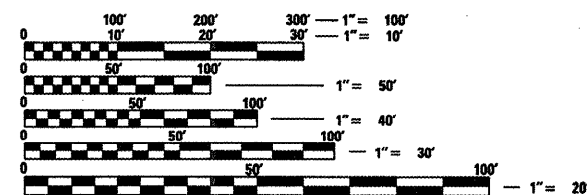


INDEX OF SHEETS:

1. COVER SHEET
2. COMMITMENTS & GENERAL NOTES
3. SUMMARY & SCHEDULE OF QUANTITIES
4. GENERAL LAYOUT
5. GENERAL PLAN AND ELEVATION
- 6-7B. PROPOSED TRAFFIC CONTROL
8. CROSS SECTIONS
9. REMOVAL AND REPLACEMENT

STANDARDS:

- | | | |
|-----------|-----------|-----------|
| 420001-07 | 609001-04 | 701601-06 |
| | 701001-02 | 701901-01 |
| 606001-04 | 701006-03 | |
| 606301-04 | 701201-03 | |



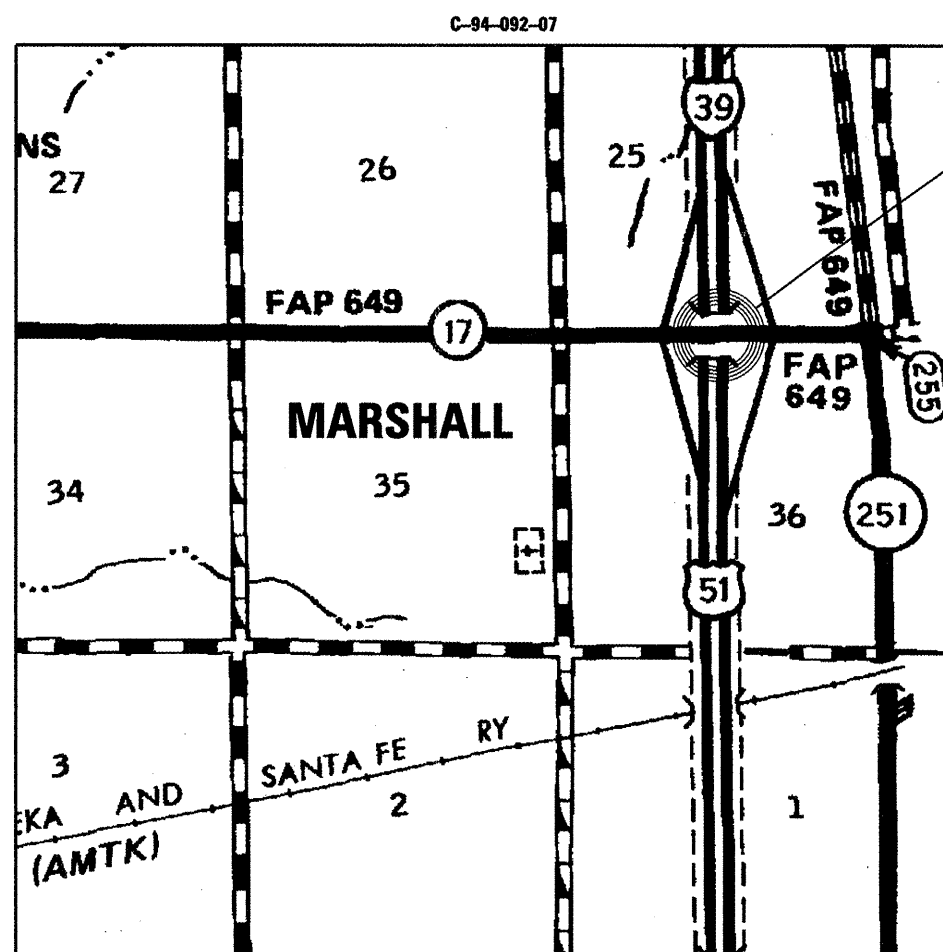
FULL SIZE PLANS HAVE BEEN PREPARED USING STANDARD ENGINEERING SCALES. REDUCED SIZED PLANS WILL NOT CONFORM TO STANDARD SCALES. IN MAKING MEASUREMENTS ON REDUCED PLANS, THE ABOVE SCALES MAY BE USED.

J.U.L.I.E.
JOINT UTILITY LOCATION INFORMATION FOR EXCAVATION
1-800-892-0123
OR 811

PROJECT ENGINEER- JIM MILLER
PROJECT MANAGER- MAUREEN ADDIS

CONTRACT NO. 68729 CAT. NO. 033543-00D

REVISD 6-2-09



LOCATION MAP

SN.062-0050

PROJECT CONSISTS OF REMOVAL & REPLACEMENT OF BRIDGE APPROACH SHOULDERS & MEDIAN AND CONCRETE SEALER APPLICATION ON STRUCTURE (SN.062-0050), CARRYING IL.17 OVER I-39

STATE OF ILLINOIS
DEPARTMENT OF TRANSPORTATION
DIVISION OF HIGHWAYS

SUBMITTED *March 18, 2009*

[Signature]
DEPUTY DIRECTOR OF HIGHWAYS, REGION ENGINEER

May 8, 2009
Charles S. Ingersoll
ENGINEER OF DESIGN AND ENVIRONMENT

May 8, 2009
Christine M. Reed
DIRECTOR OF HIGHWAYS, CHIEF ENGINEER

PRINTED BY THE AUTHORITY
OF THE STATE OF ILLINOIS

SCHEDULE OF QUANTITIES

MOBILIZATION

LOCATION	LSUM
PROJECT LOCATION	1

TRAFFIC CONTROL

LOCATION	T.C.&P. SPECIAL (LSUM)	T.C.SURVEILLANCE (CAL DA)
DECK & APPR.	1	1

CONCRETE MEDIAN REMOVAL

LOCATION	SOFT
MEDIAN	1620

BRIDGE APPROACH SHOULDER REMOVAL

LOCATION	SOYD
APPR. SHLDRS.	53

REINFORCEMENT BARS, EPOXY COATED

LOCATION	LB
APPR. SHLDRS.&MED.	2094
DECK MEDIAN	3840
TOTAL	5934

TIE BARS

LOCATION	EA
LONGI. SHLDR. JTS.	112

CONCRETE SUPERSTRUCTURE

LOCATION	CUYD
MEDIAN	30

PRISMATIC CURB REFLECTORS

LOCATION	EA
MEDIAN	32

PCC BRIDGE APPROACH SHOULDER PAVEMENT

LOCATION	SOYD
APPR. SHLDRS.	53

WORKZONE PAVEMENT MARKING REMOVAL

LOCATION	SOFT
BRIDGE SURFACES	537

SILANE SURFACE SEALER

LOCATION	SOYD
BRIDGE SURFACES	2200

SUMMARY OF QUANTITIES

90% FED.
10% STATE
MARSHALL COUNTY SAFETY-2A

CODE NO.	ITEM	UNIT	RURAL	TOTAL
50300255	CONCRETE SUPERSTRUCTURE	CUYD	44.8	44.8
50800205	REINFORCEMENT BARS, EPOXY COATED	POUND	3910	3910
67100100	MOBILIZATION	LSUM	1	1
70101800	TRAFFIC CONTROL AND PROTECTION, (SPECIAL)	LSUM	1	1
70103815	TRAFFIC CONTROL SURVEILLANCE	CAL DA	15	15
70301000	WORKZONE PAVEMENT MARKING REMOVAL	SOFT	537	537
78200300	PRISMATIC CURB REFLECTOR	EACH	32	32
X0300136	BRIDGE APPROACH SHOULDER REMOVAL	SOYD	53	53
70300520	PAVEMENT MARKING TAPE, TYPE III 4"	FOOT	2,000	2,000
50102400	CONCRETE REMOVAL	CUYD	30	30
Z0075300	TIE BARS	EACH	44	44
X0326443	SILANE SURFACE SEALER	SOYD	2200	2200

SN.062-0050
IL.17 over 1-39

REVISI**ED** 6-2-09

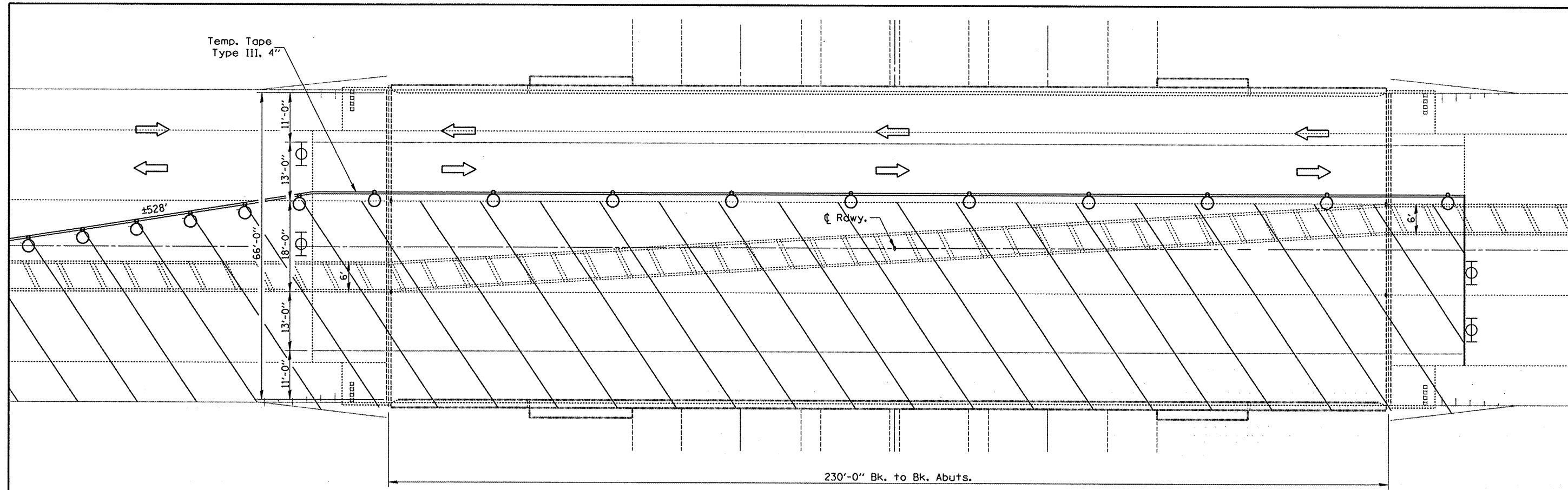
SN.062-0050
IL.17 over 1-39

FILE NAME = SN062-005029.SN062-0050-IL.17ovr 1-39	USER NAME = jonesca	DESIGNED - CEJ	REVISED - ---
		DRAWN - CEJ	REVISED - ---
		CHECKED - ---	REVISED - ---
		DATE - 02/26/2009	REVISED - ---

STATE OF ILLINOIS
DEPARTMENT OF TRANSPORTATION

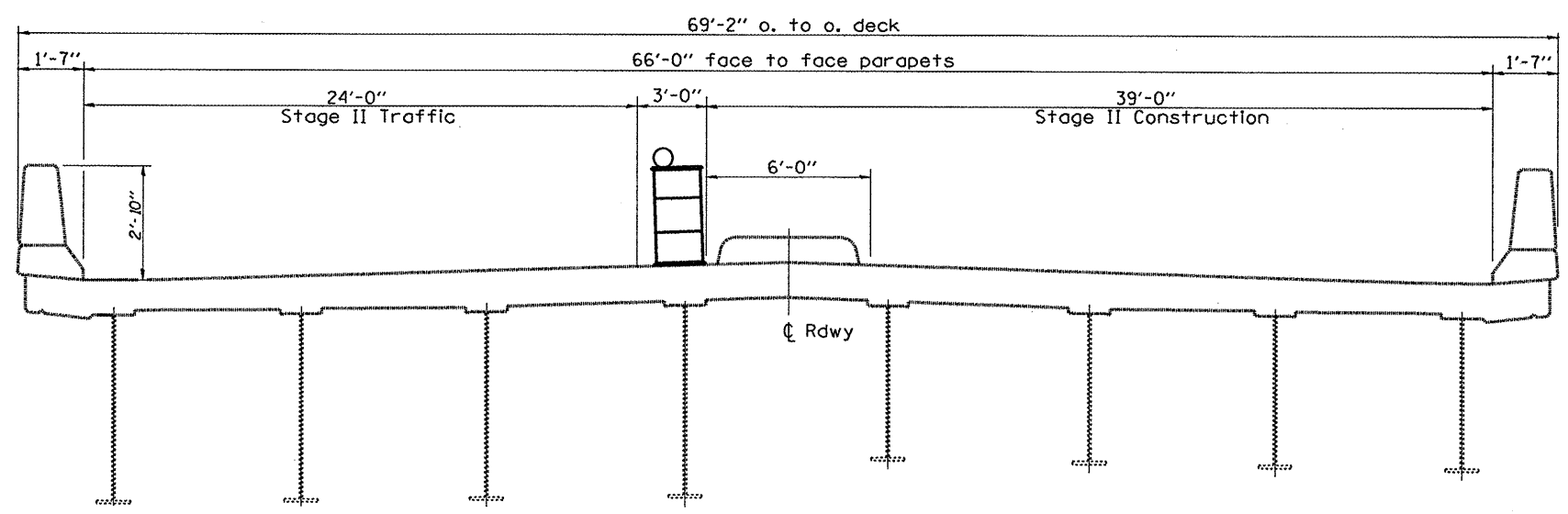
SUMMARY OF QUANTITIES			
SCALE: _____	SHEET NO. _____ OF _____ SHEETS	STA. _____ TO STA. _____	

F.A.P. RTE. 412	SECTION (62-2HB-2)I	COUNTY MARSHALL	TOTAL SHEETS 9	SHEET NO. 3
SILOXANE SEALER APPLICATION			CONTRACT NO. 68729	
FED. ROAD DIST. NO. 4 ILLINOIS FED. AID PROJECT				



230'-0" Bk. to Bk. Abuts.

PLAN



CROSS SECTION

LEGEND

- Work Area
- Barricade or Drum w/steady burn monodirectional light
- Temporary Striping
- Temporary Traffic
- Type II Barricade w/Flashing Light

NOTES
 Refer to Traffic Control and Protection Special for required traffic management devices and other clarifications. Proposed construction staging sequence shall be at the discretion of the Engineer. ReflectORIZED temporary pavement marking tape shall be included to create temporary traffic lane shift during median repair. Barricades or Drums shall be pulled back toward median at end of workday and remain until work begins in order to lighten traffic load on shoulders as much as possible.

NEW SHEET 6-2-09

SN.062-0050
 IL.17 over I-39

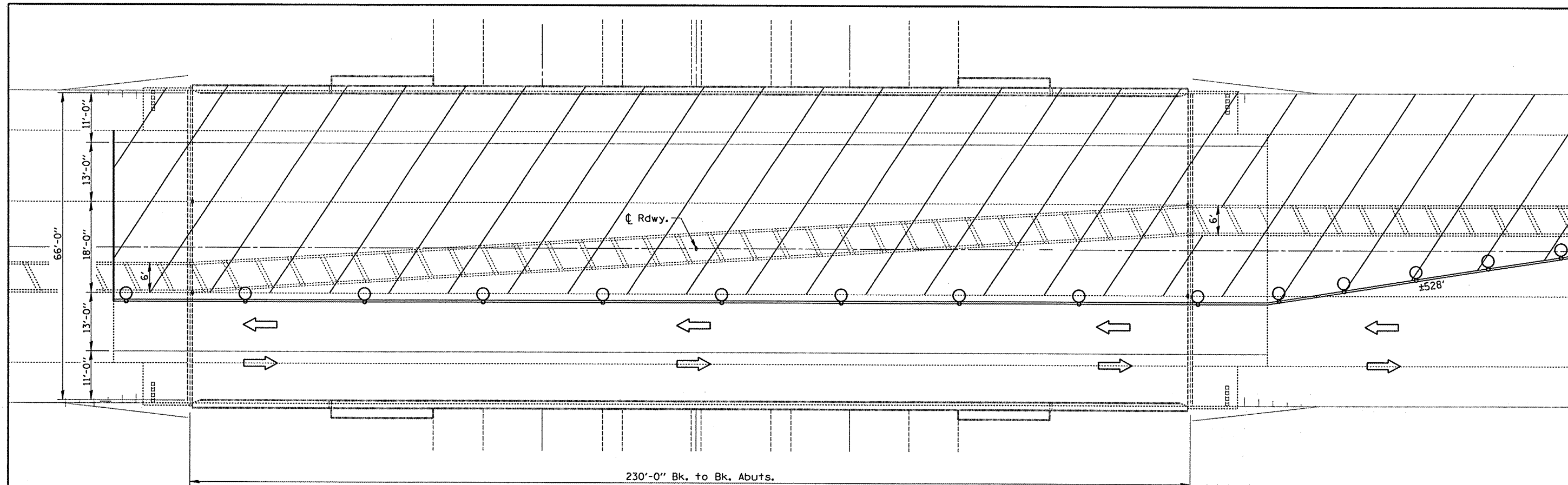
FILE NAME =	USER NAME = keithbr	DESIGNED - CEJ	REVISED - CEJ
Byers 062203-51062-0050 IL.17ovr I-39		DRAWN - CEJ	REVISED - CEJ
	PLOT SCALE = 100.0000" / IN.	CHECKED - ---	REVISED - ENTIRE SHEET ADDED
	PLOT DATE = 6/1/2009	DATE - 01/26/2009	REVISED - 06/01/2009

**STATE OF ILLINOIS
 DEPARTMENT OF TRANSPORTATION**

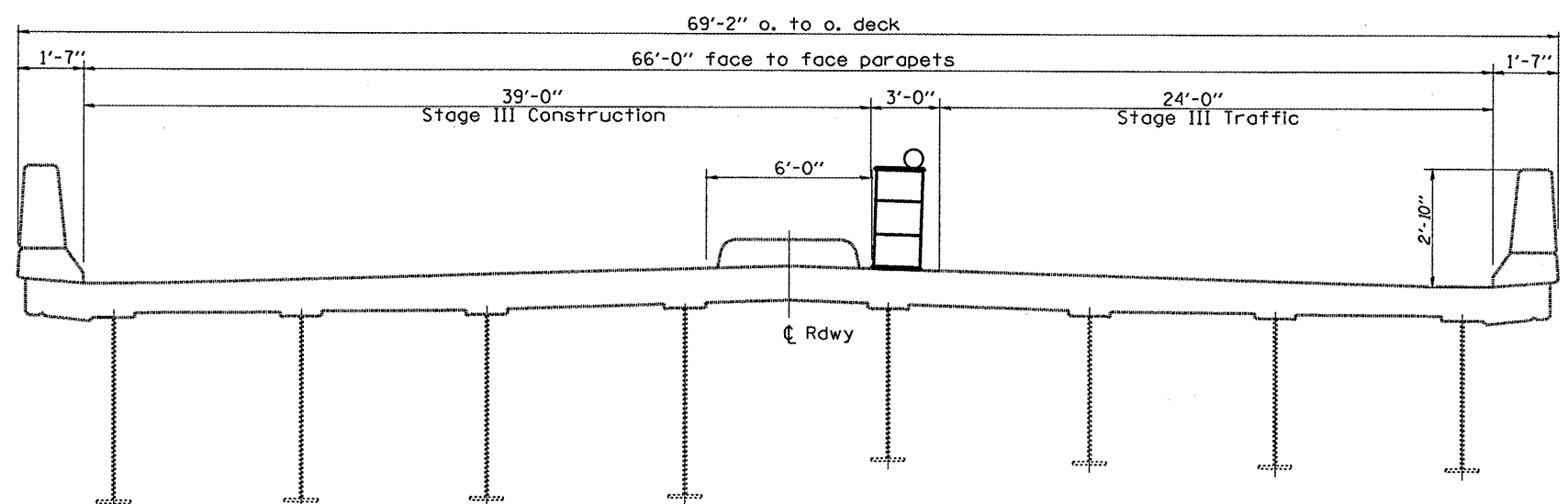
PROPOSED TRAFFIC CONTROL

SCALE: _____ SHEET NO. ___ OF ___ SHEETS STA. _____ TO STA. _____

F.A.P. RTE.	SECTION	COUNTY	TOTAL SHEETS	SHEET NO.
412	62-2HB-211	MARSHALL	9	7a
SILOXANE SEALER APPLICATION			CONTRACT NO. 68729	
FED. ROAD DIST. NO. 4 ILLINOIS FED. AID PROJECT				



PLAN



CROSS SECTION

- LEGEND**
- Work Area
 - Barricade or Drum w/steady burn monodirectional light
 - Temporary Striping
 - Temporary Traffic
 - Type II Barricade w/Flashing Light

NOTES
 Refer to Traffic Control and Protection Special for required traffic management devices and other clarifications. Proposed construction staging sequence shall be at the discretion of the Engineer. ReflectORIZED temporary pavement marking tape shall be included to create temporary traffic lane shift during median repair. Barricades or Drums shall be pulled back toward median at end of workday and remain until work begins in order to lighten traffic load on shoulders as much as possible.

NEW SHEET 6-2-09

FILE NAME =	USER NAME = keithbr	DESIGNED - CEJ	REVISED - CEJ
Byers 06092011-01062-0050-IL17ovr 1-39		DRAWN - CEJ	REVISED - CEJ
		CHECKED -	REVISED -
		DATE - 01/26/2009	REVISED - 06/01/2009

**STATE OF ILLINOIS
 DEPARTMENT OF TRANSPORTATION**

PROPOSED TRAFFIC CONTROL
 SCALE: _____ SHEET NO. ____ OF ____ SHEETS STA. _____ TO STA. _____

F.A.P. RTE.	SECTION	COUNTY	TOTAL SHEETS	SHEET NO.
412	(62-2HB-21)	MARSHALL	9	7b
SILOXANE SEALER APPLICATION			CONTRACT NO. 68729	
FED. ROAD DIST. NO. 4 ILLINOIS FED. AID PROJECT				

SN.062-0050
 IL.17 over I-39