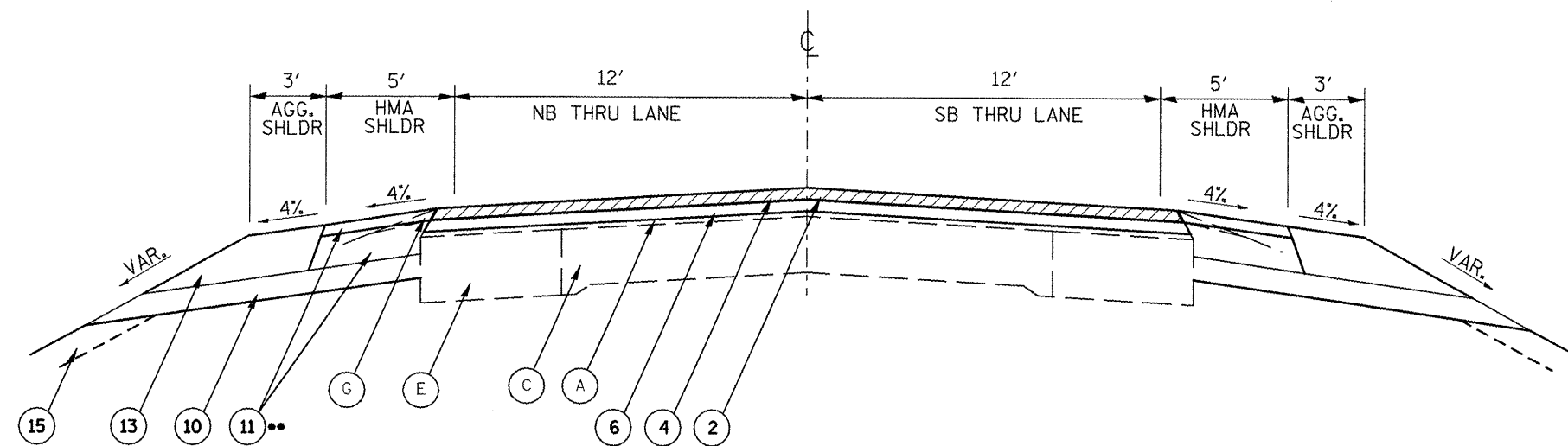


TYPICAL SECTION 5

IL 94/116
 LT. STA. 4+49.51 TO STA. 8+00.00
 RT. STA. 4+90.90 TO STA. 8+00.00



TYPICAL SECTION 6

IL 94/116
 STA. 8+00.00 TO STA. 10+00.00

NOTES:

- ITEMS 3, 5 AND 7 WILL BE PAID FOR AT THE CONTRACT UNIT PRICE PER SQUARE YARD FOR HMA PAVEMENT (FULL-DEPTH), 13 3/4". SEE JOB SPECIFIC NOTE SHEET 4.
- ITEMS 11 AND 12 WILL BE PAID FOR AT THE CONTRACT UNIT PRICE PER SQUARE YARD FOR HMA SHOULDERS, 8" AND HMA SHOULDERS, 10". SEE HMA MIXTURE REQUIREMENTS SHEET 4.

LEGEND - PROPOSED

- ① HMA SURFACE REMOVAL - BUTT JOINT
- ② HMA SURFACE REMOVAL, 2"
- ③ POLYMERIZED HMA SURFACE CSE, MIX "D", N70 - 2"
- ④ POLYMERIZED HMA SURFACE CSE, MIX "D", N70 - 1 1/2"
- ⑤ POLYMERIZED HMA BINDER CSE, IL-19.0, N70 - 2 1/4"
- ⑥ POLYMERIZED LEVELING BINDER (MM), IL-4.75, N50 - 3/4"
- ⑦ HMA BASE CSE - 9"
- ⑧ HMA BASE CSE/BASE CSE WIDENING - 9 1/2"
- ⑨ SUB-BASE GRAN. MAT, TYPE A - VAR. 12"-17 1/4"
- ⑩ SUB-BASE GRAN. MAT. TYPE C - 4"
- ⑪ HMA SHOULDERS - 8"
- ⑫ HMA SHOULDERS - 10"
- ⑬ AGGREGATE SHOULDERS, TYPE B - 8"
- ⑭ BIT. CONCRETE SHOULDER REMOVAL
- ⑮ TOPSOIL FURNISH AND PLACE - 4"
- ⑯ STRIP REFLECTIVE CRACK CONTROL TREATMENT

LEGEND - EXISTING

- (A) HMA OVERLAY - 5 1/2"
- (B) HMA OVERLAY - 2"
- (C) P.C.C. PAVEMENT (9-6-9)
- (D) P.C.C. BASE CSE - 9"
- (E) HMA BASE CSE/BASE WIDENING
- (F) HMA SHOULDERS - 8"
- (G) AGGREGATE SHOULDERS

REMOVAL ITEMS

FILE NAME = sh+01.dgn	USER NAME = johnsonv	DESIGNED -	REVISED -	STATE OF ILLINOIS DEPARTMENT OF TRANSPORTATION	IL 94 /116 TYPICAL SECTIONS			F.A.P. RTE. 313/534	SECTION 6R-1s(109EX)R	COUNTY HENDERSON	TOTAL SHEETS 81	SHEET NO. 12
PLOT SCALE = 1/80.0000" / IN.	CHECKED -	REVISED -	REVISED -		NOT TO SCALE	SHEET NO. 3 OF 6 SHEETS	STA. 3+11 TO STA. 10+00	CONTRACT NO. 68818				
PLOT DATE = 3/19/2009	DATE -	REVISED -	REVISED -		FED. ROAD DIST. NO. ILLINOIS FED. AID PROJECT							