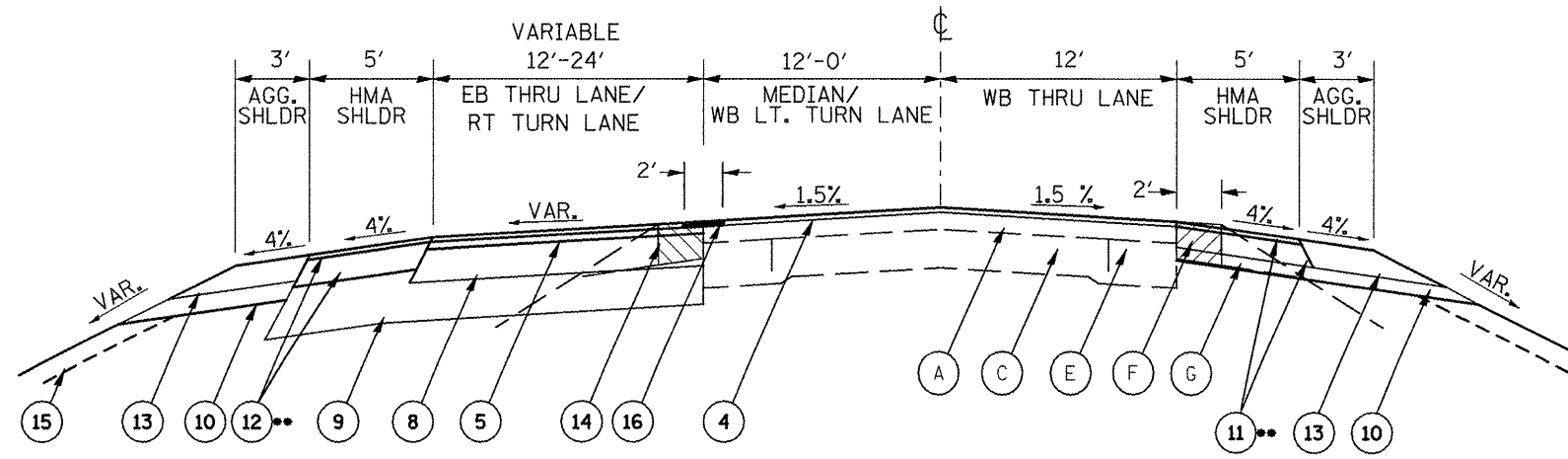


TYPICAL SECTION 10

US 34  
STA. 759+09.61 TO STA. 762+24.96



TYPICAL SECTION 11

US 34  
STA. 762+24.96 TO STA. 765+66.18

NOTE:

\*\* ITEMS 11 AND 12 WILL BE PAID FOR AT THE CONTRACT UNIT PRICE PER SQUARE YARD FOR HMA SHOULDERS, 8" AND HMA SHOULDERS, 10". SEE HMA MIXTURE REQUIREMENTS SHEET 4.

LEGEND - PROPOSED

- ① HMA SURFACE REMOVAL - BUTT JOINT
- ② HMA SURFACE REMOVAL, 2"
- ③ POLYMERIZED HMA SURFACE CSE, MIX "D", N70 - 2"
- ④ POLYMERIZED HMA SURFACE CSE, MIX "D", N70 - 1 1/2"
- ⑤ POLYMERIZED HMA BINDER CSE, IL-19.0, N70 - 2 1/4"
- ⑥ POLYMERIZED LEVELING BINDER (MM), IL-4.75, N50 - 3/4"
- ⑦ HMA BASE CSE - 9"
- ⑧ HMA BASE CSE/BASE CSE WIDENING - 9 1/2"
- ⑨ SUB-BASE GRAN. MAT, TYPE A - VAR. 12"-17 1/4"
- ⑩ SUB-BASE GRAN. MAT. TYPE C - 4"
- ⑪ HMA SHOULDERS - 8"
- ⑫ HMA SHOULDERS - 10"
- ⑬ AGGREGATE SHOULDERS, TYPE B - 8"
- ⑭ BIT. CONCRETE SHOULDER REMOVAL
- ⑮ TOPSOIL FURNISH AND PLACE - 4"
- ⑯ STRIP REFLECTIVE CRACK CONTROL TREATMENT

LEGEND - EXISTING

- (A) HMA OVERLAY - 5 1/2"
- (B) HMA OVERLAY - 2"
- (C) P.C.C. PAVEMENT (9-6-9)
- (D) P.C.C. BASE CSE - 9"
- (E) HMA BASE CSE/BASE WIDENING
- (F) HMA SHOULDERS - 8"
- (G) AGGREGATE SHOULDERS

REMOVAL ITEMS

FILE NAME = sh401.dgn	USER NAME = johnsonv	DESIGNED -	REVISED -	<b>STATE OF ILLINOIS DEPARTMENT OF TRANSPORTATION</b>	<b>US 34 TYPICAL SECTIONS</b>		F.A.P. RTE. 513/534	SECTION 6R-1(109EX)R	COUNTY HENDERSON	TOTAL SHEETS 81	SHEET NO. 15
		DRAWN -	REVISED -		NOT TO SCALE	SHEET NO. 6 OF 6 SHEETS	STA. 753+00 TO STA. 770+03	CONTRACT NO. 68818			
		CHECKED -	REVISED -				FED. ROAD DIST. NO.	ILLINOIS FED. AID PROJECT			
		DATE -	REVISED -								