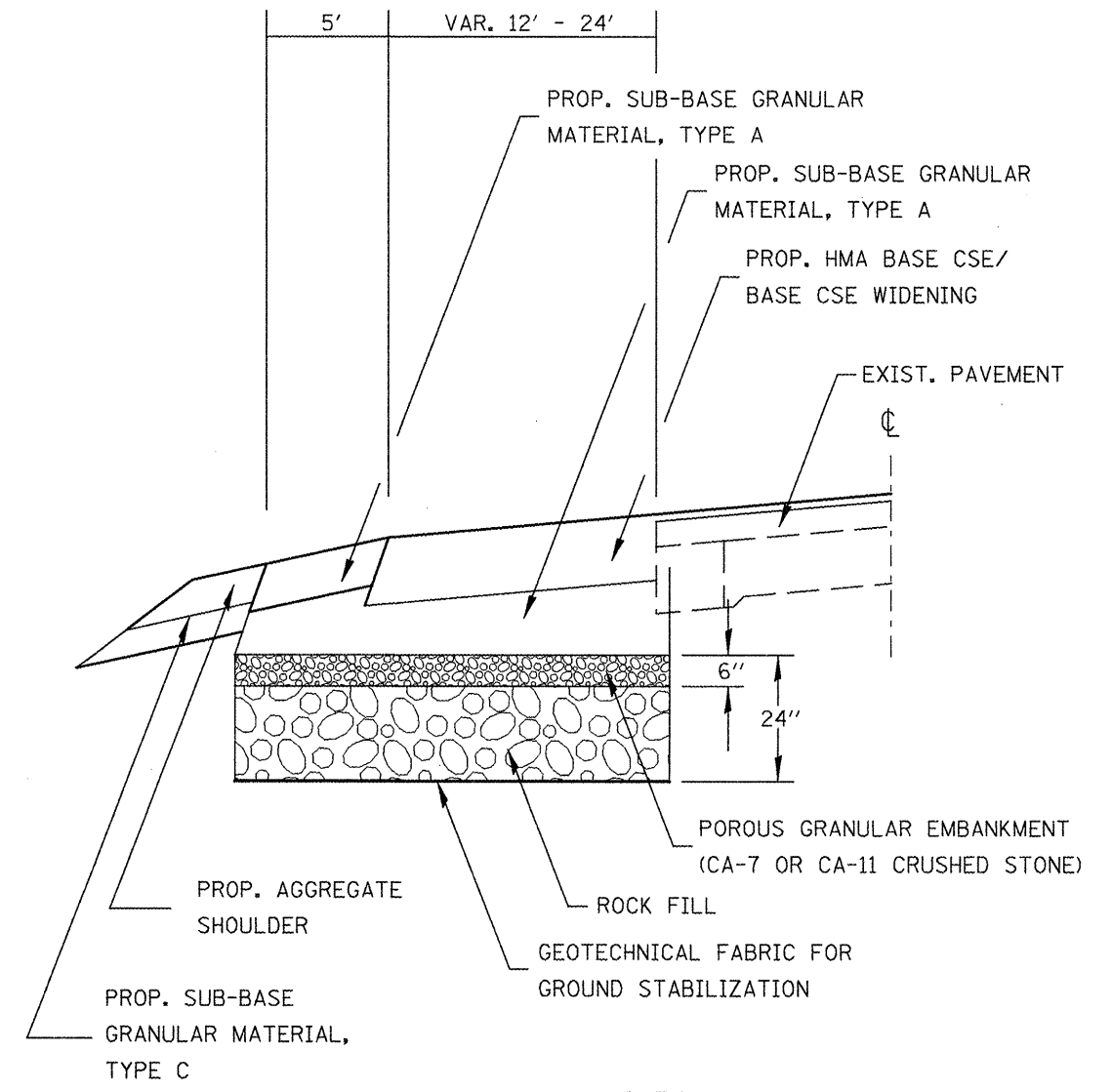


IL 94/116
STA. 3+75.00 TO STA. 4+75.00



US 34
STA. 764+50.00 TO STA. 766+00.00

NOTES:

1. IF BASE OF THE UNDERCUT HAS AN IBV OF 3 OR GREATER, SUITABLE ON-SITE SOILS MAY BE USED TO BACKFILL THE UNDERCUT.
2. IF BASE OF THE UNDERCUT HAS AN IBV OF 3 OR LESS, REFER TO THE UNSUITABLE EXCAVATION DETAIL.
3. ACTUAL LOCATION AND THICKNESS OF THE UNDERCUT IS TO BE VERIFIED IN THE FIELD BY THE ENGINEER.

FILE NAME = sh101.dgn	USER NAME = johnsontv	DESIGNED -	REVISED -	STATE OF ILLINOIS DEPARTMENT OF TRANSPORTATION	UNSUITABLE EXCAVATION TREATMENT DETAIL			F.A.P. RTE.	SECTION	COUNTY	TOTAL SHEETS	SHEET NO.
	PLOT SCALE = 100.0000' / IN.	DRAWN -	REVISED -		NOT TO SCALE	SHEET NO. 1 OF 1 SHEETS	STA. 3+75.00 TO STA. 4+75.00	313/534	6R-1; (109EX) R	HENDERSON	81	44
	PLOT DATE = 3/19/2009	CHECKED -	REVISED -					CONTRACT NO. 68818				
		DATE -	REVISED -					ILLINOIS FED. AID PROJECT				