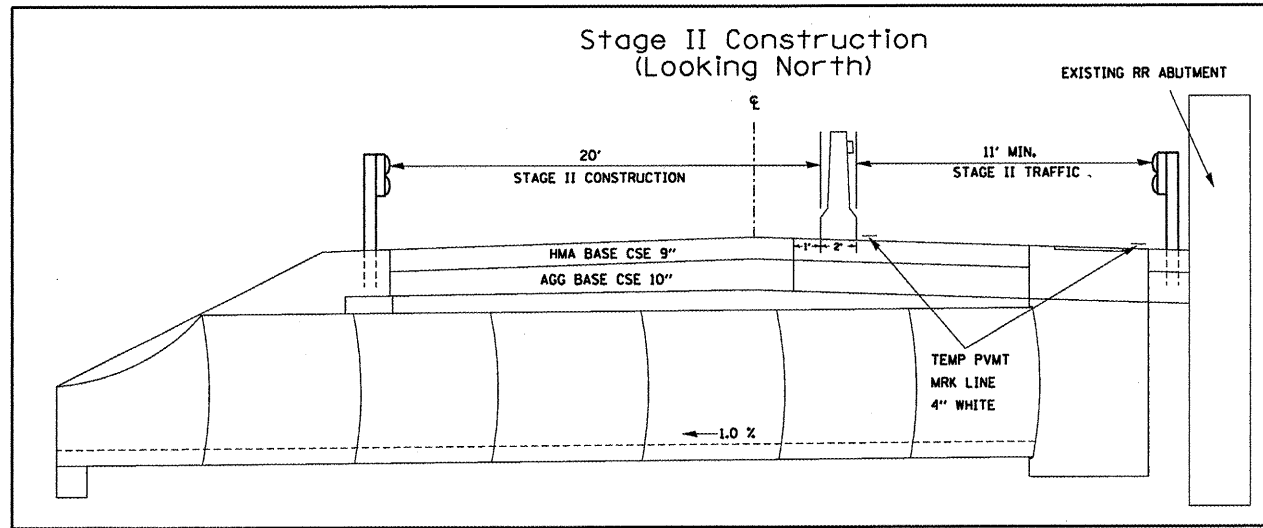
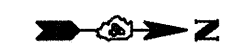


| | | | | | |
|------------|-------------|--------------|--------------------|--------------------|-----------------|
| FAP 656 | FAU 6757 | SECTION * | COUNTY TAZEWELL | TOTAL SHEETS 32 | SHEET NO. 17 |
|------------|-------------|--------------|--------------------|--------------------|-----------------|

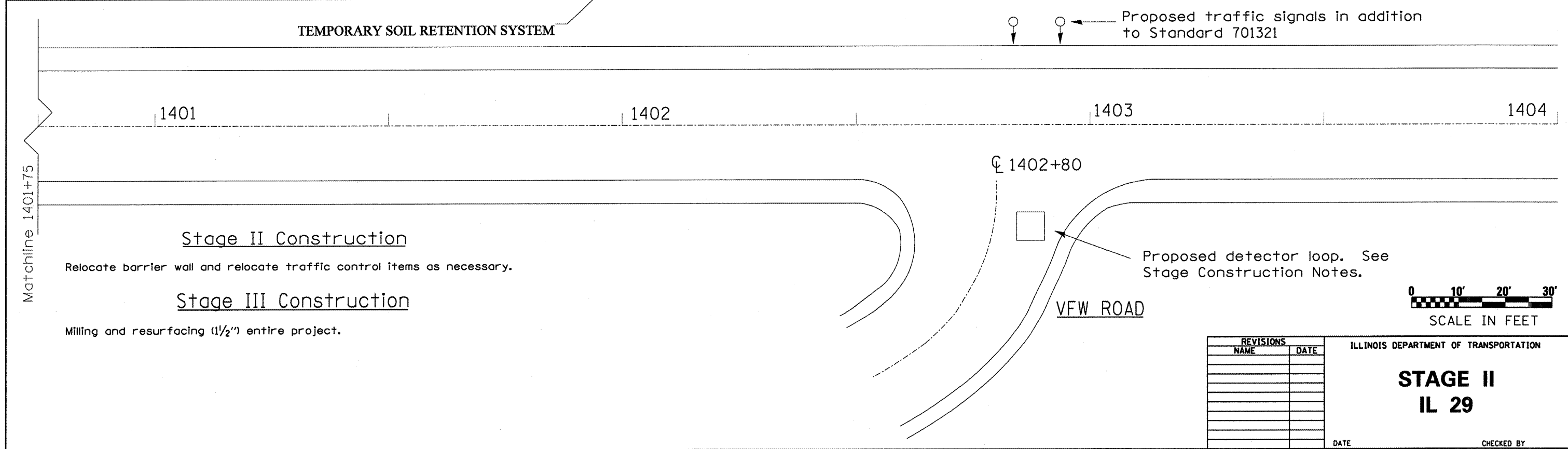
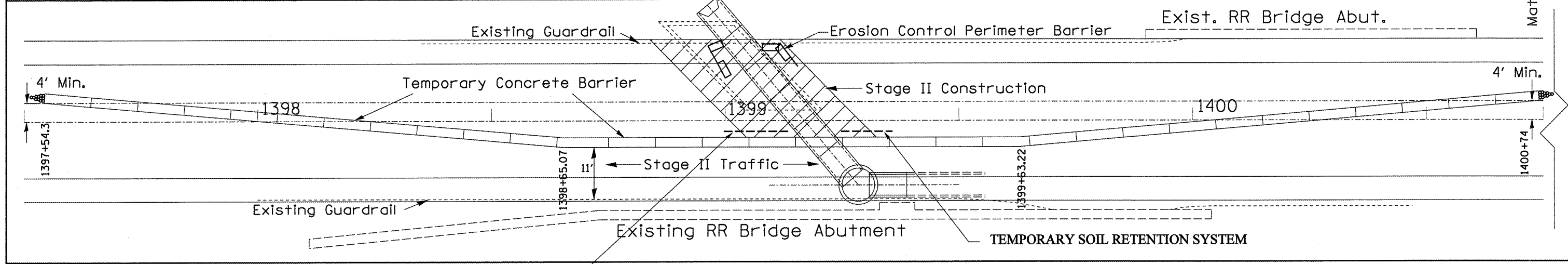
*D-4 STRUCTURE REPAIR 2008



Power Pole
o LT STA 1399+46



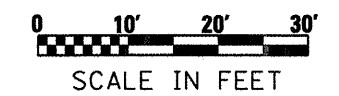
Matchline 1401+75



Stage II Construction
Relocate barrier wall and relocate traffic control items as necessary.

Stage III Construction
Milling and resurfacing (1 1/2") entire project.

Proposed detector loop. See Stage Construction Notes.



| REVISIONS | |
|-----------|------|
| NAME | DATE |
| | |
| | |
| | |
| | |
| | |
| | |
| | |
| | |
| | |
| | |

ILLINOIS DEPARTMENT OF TRANSPORTATION

STAGE II
IL 29

DATE _____ CHECKED BY _____