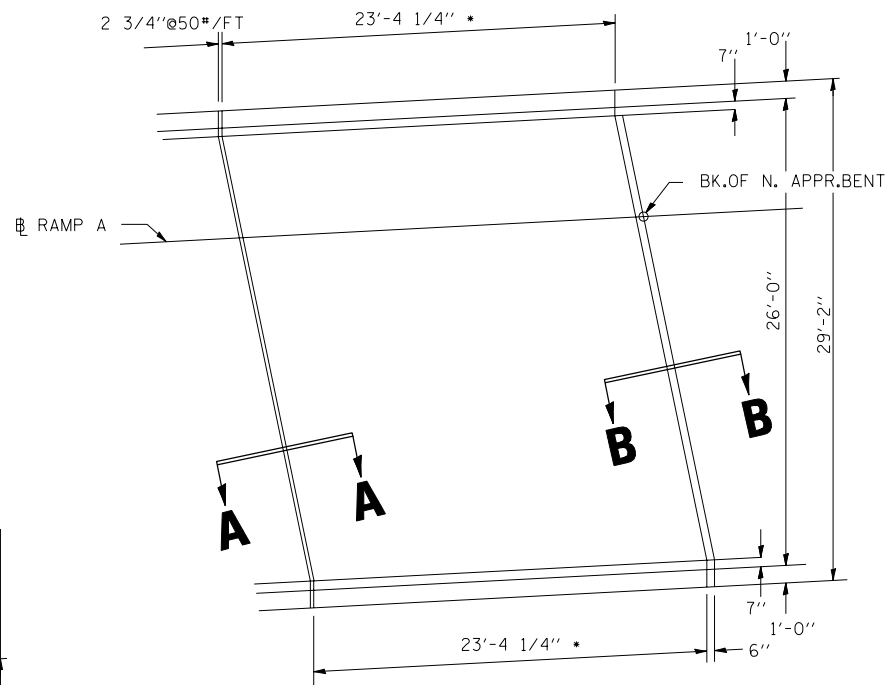


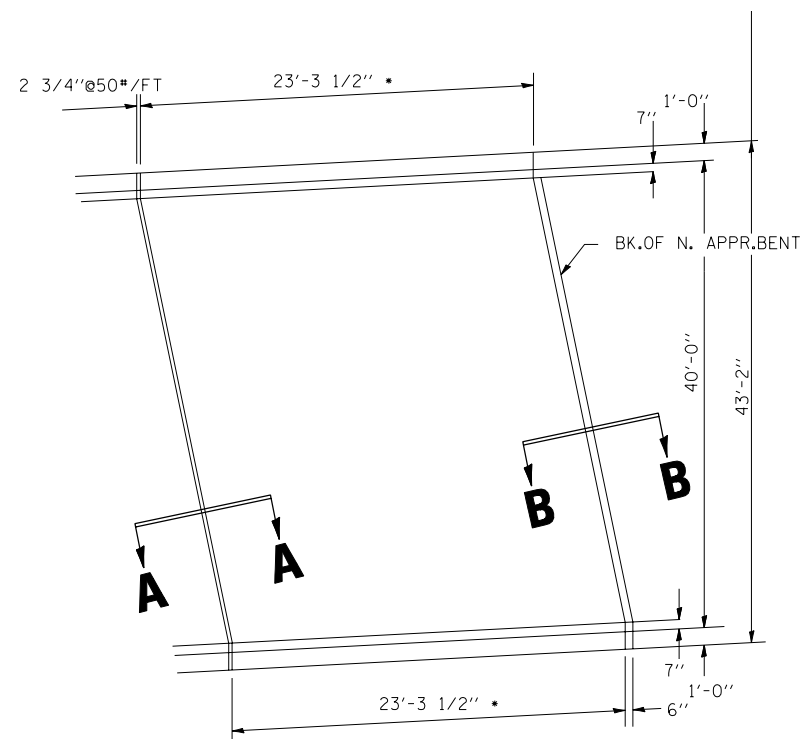
BRIDGE APPROACH SPAN DETAILS

S.B. STRUCTURE 057-0214

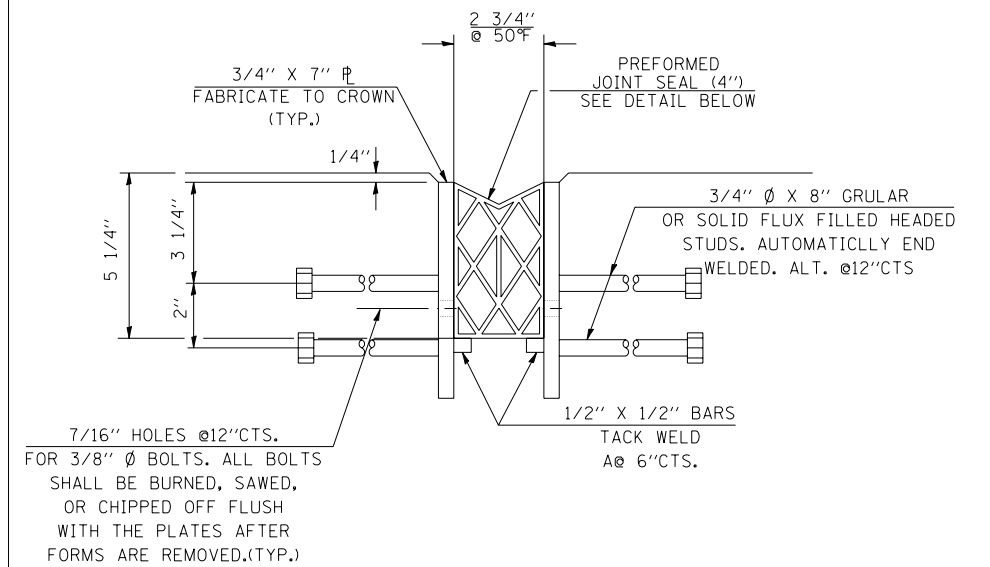
N.B. STRUCTURE 057-0215



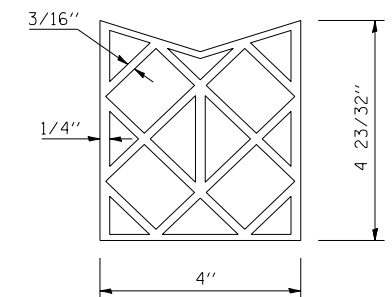
NORTH APPROACH SPAN
STRUCTURE # 057-0214
(I-39 S.B. RAMP A)



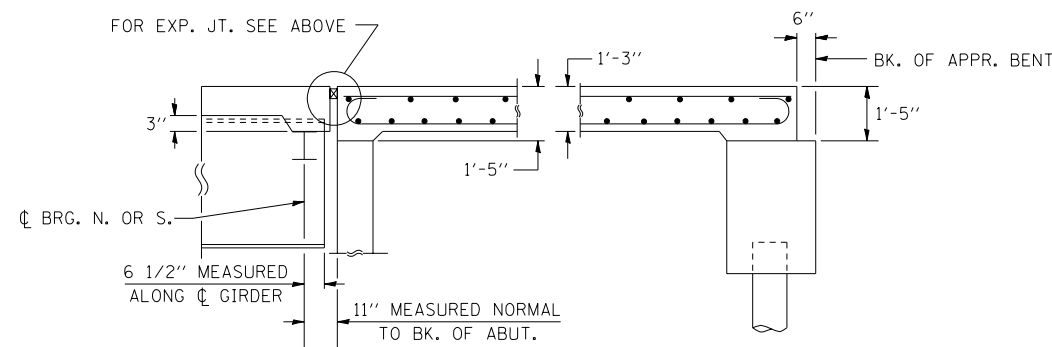
NORTH APPROACH SPAN
STRUCTURE # 057-0215
(I-39 N.B. MAINLINE)



TYPICAL SECTION AT EXPANSION JOINT



PREFORMED JOINT SEAL (4\")



SECTION A-A

SECTION B-B

FILE NAME =	USER NAME = bucklesjj	DESIGNED -	REVISED -
ct:\pw\work\p\idot\bucklesjj\d0128799\0570215-SHT-PLAN.dgn		DRAWN - JJB	REVISED -
	PLOT SCALE = 40.0000' / IN.	CHECKED -	REVISED -
	PLOT DATE = 3/27/2009	DATE -	REVISED -

STATE OF ILLINOIS
DEPARTMENT OF TRANSPORTATION

DETAILS OF BRIDGE APPROACH
SPAN AND ABUTMENTS

SCALE: SHEET NO. OF SHEETS STA. TO STA.

F.A.I. RTE.	SECTION	COUNTY	TOTAL SHEETS	SHEET NO.
39	57-21	MCLEAN	18	11
CONTRACT NO. 70797				
ILLINOIS FED. AID PROJECT				