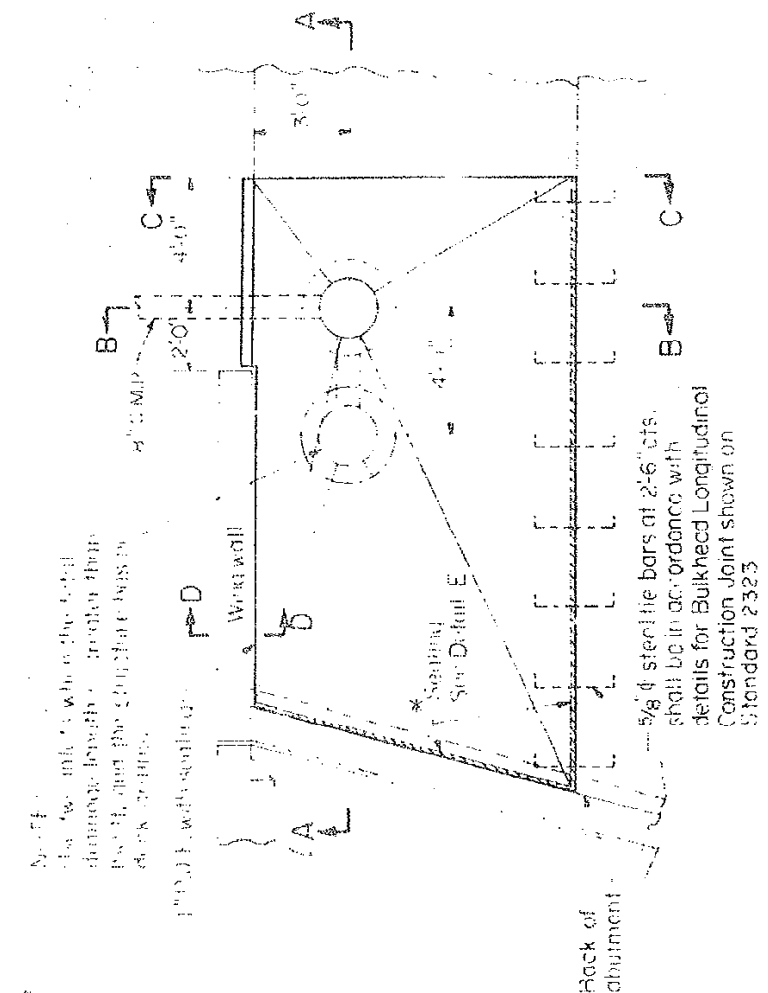
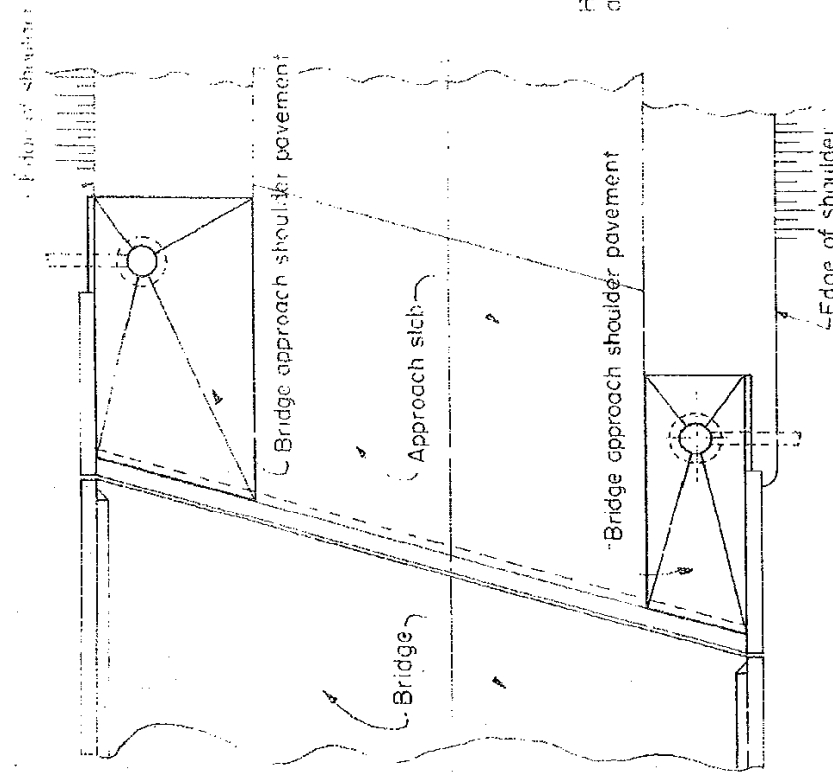


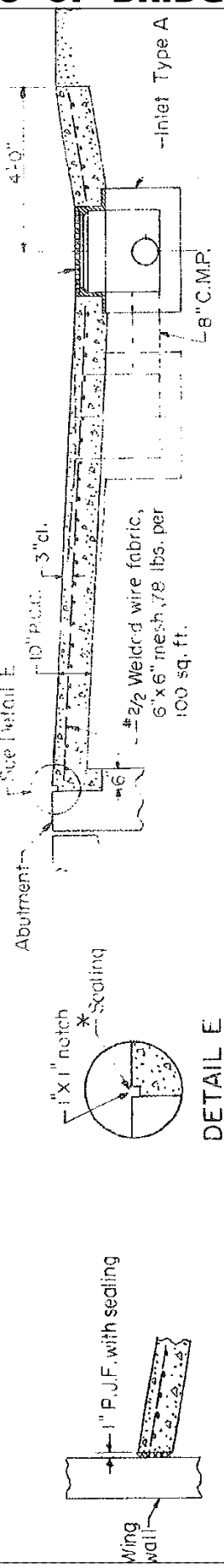
**STANDARD DESIGN  
BRIDGE APPROACH SHOULDER PAVEMENT**



**TYPICAL DETAIL PLAN**

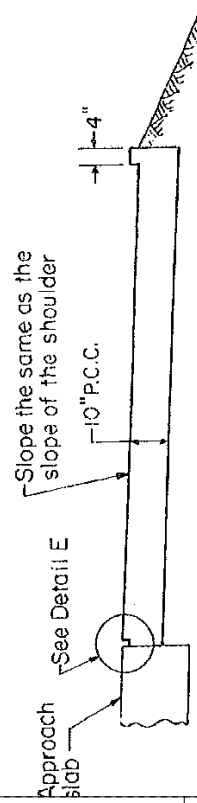
**GENERAL PLAN**

**TYPICAL DETAIL PLAN**

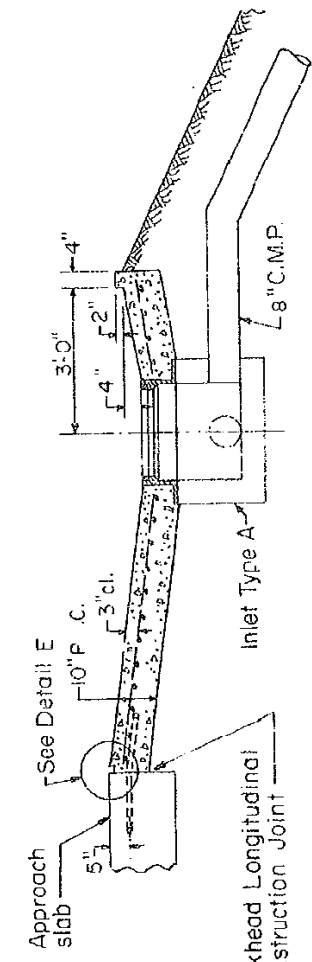


**SECTION A-A**

**DETAIL E**



**SECTION C-C**



**SECTION B-B**

**STATE OF ILLINOIS  
DEPARTMENT OF TRANSPORTATION**

**DETAILS OF BRIDGE APPROACH SHOULDER PAVEMENT,  
STANDARD 2324 ( 12-01-1969 )**

**GENERAL NOTES**

\* Where indicated, joints shall be sealed with two component, non-staining, gray, sealing compound with polysulfide liquid polymers, gun grade with primers.

See bridge approach slab plans for location of bridge approach shoulder pavement.

For placement of drainage elements on existing construction with existing rigid approach pavement, substitute expansion anchor bolts for tie bars. For non-rigid approaches, shoulder pavement will be as shown except omit tie bars and inside edge sealing.

For bridges with end posts partially or completely on superstructure, locate the center line of 8" drain pipe a minimum of 6 ft. behind the back of abutment measured as an extension of the outside superstructure edge. If end posts are completely on superstructure, use the outer 2' x 4" lip for full length of shoulder pavement.

STATE OF ILLINOIS DEPARTMENT OF PUBLIC WORKS & BUILDINGS DIVISION OF HIGHWAYS		ISSUED 12-1-59
PASSED	Dec. 1, 1969	REVISIONS
APPROVED	Dec. 1, 1969	W.F. 12-1-59
Willard Hall Engineer of Road Plans and Contracts McLean Engineer of Design		

**STANDARD 2324**  
( Half size )

FILE NAME =	USER NAME = bucklesjj	DESIGNED -	REVISED -
ca:\pwwork\pwwdot\BUCKLESJJ\d0128799.d01	70797-SHT-DETAILS.dgn	DRAWN JJB	REVISED -
PLOT SCALE = 40.0000 / IN.	CHECKED -	DATE -	REVISED -
PLOT DATE = 3/27/2009			

F.A. RTE.	SECTION	COUNTY	TOTAL SHEETS	SHEET NO.
39	57-21	MCLEAN	18	13
CONTRACT NO. 70797				
ILLINOIS FED. AID PROJECT				