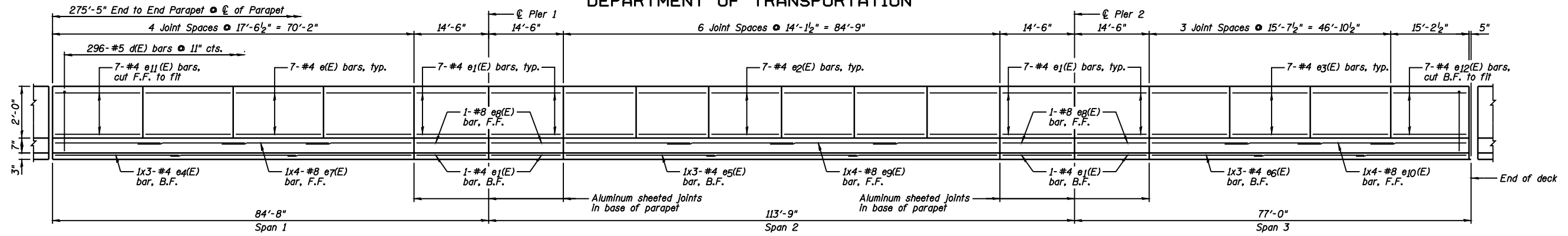


**STATE OF ILLINOIS
DEPARTMENT OF TRANSPORTATION**



BAR LAP	
#4	1'-8"
#8	4'-6"

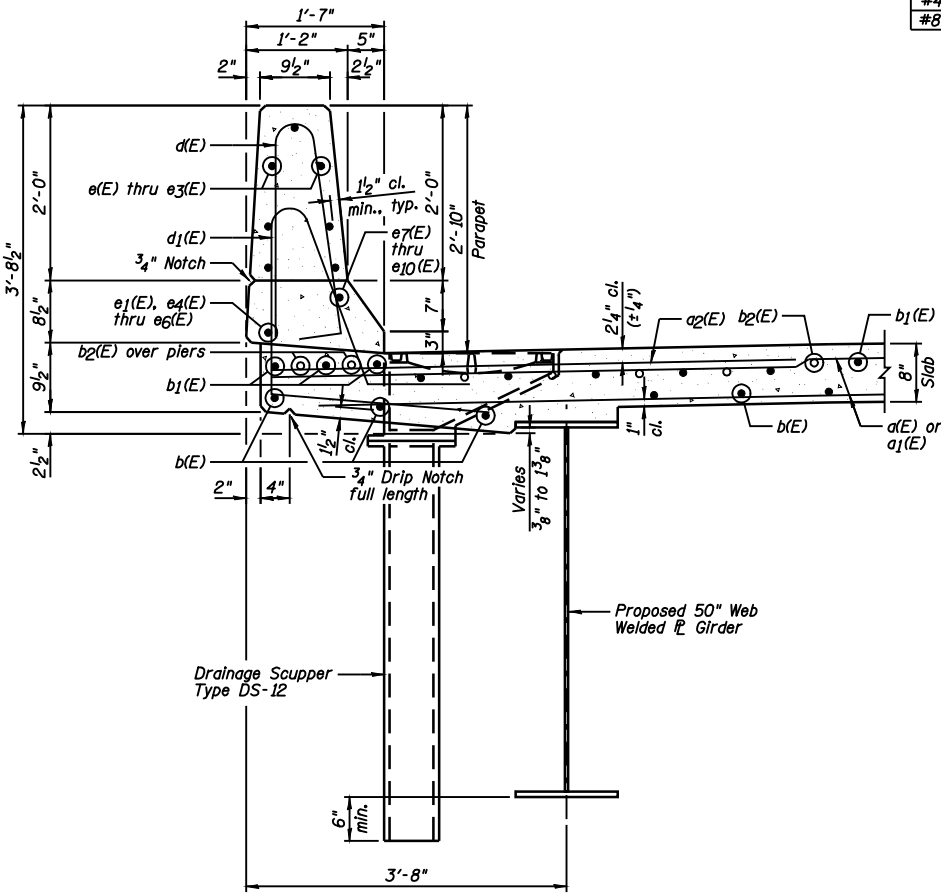
INSIDE ELEVATION OF PARAPET

**SUPERSTRUCTURE
BILL OF MATERIAL**

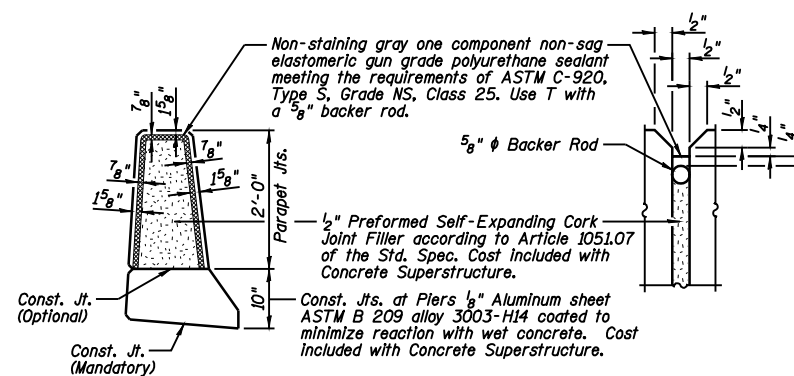
BAR CUTTING DIAGRAM

BAR	A	B	C	D	E	F	L
a1(E)	16'-7"	1'-4"	16'-7"	1'-4"	1	31	17'-11"
a3(E)	16'-5"	1'-5"	16'-5"	1'-5"	1	38	17'-10"
a5(E)	19'-4"	1'-7"	19'-4"	1'-7"	1	36	20'-11"
a6(E)	19'-2"	1'-4"	19'-2"	1'-4"	1	45	20'-6"

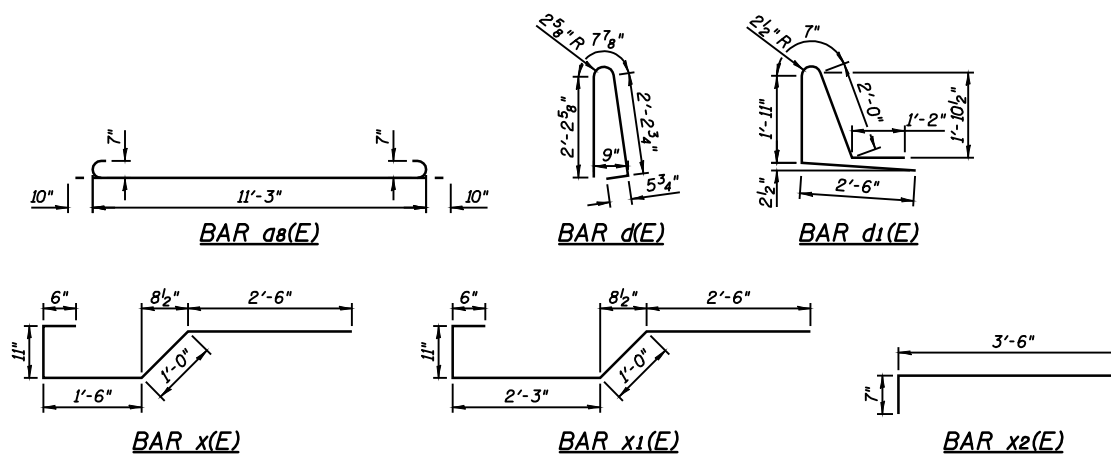
Bar	No.	Size	Length	Shape
a1(E)	667	#5	16'-8"	—
a1(E)	31	#5	17'-11"	—
a2(E)	399	#6	6'-0"	—
a3(E)	38	#5	17'-10"	—
a4(E)	666	#5	19'-8"	—
a5(E)	36	#5	20'-11"	—
a6(E)	45	#5	20'-6"	—
a7(E)	24	#5	11'-2"	—
a8(E)	20	#7	12'-11"	—
a9(E)	1	#7	25'-4"	—
a10(E)	1	#7	31'-2"	—
a11(E)	5	#7	32'-1"	—
a12(E)	5	#7	37'-10"	—
a13(E)	32	#5	2'-0"	—
b(E)	310	#5	29'-0"	—
b1(E)	369	#5	32'-1"	—
b2(E)	222	#6	20'-9"	—
d(E)	592	#5	5'-7"	—
d1(E)	592	#5	8'-2"	—
e(E)	42	#4	17'-2"	—
e1(E)	64	#4	14'-2"	—
e2(E)	84	#4	13'-9"	—
e3(E)	42	#4	15'-3"	—
e4(E)	6	#4	25'-1"	—
e5(E)	6	#4	29'-3"	—
e6(E)	6	#4	21'-8"	—
e7(E)	8	#8	20'-10"	—
e8(E)	8	#8	14'-2"	—
e9(E)	8	#8	24'-6"	—
e10(E)	8	#8	18'-10"	—
e11(E)	14	#4	19'-5"	—
e12(E)	14	#4	14'-10"	—
x(E)	35	#5	6'-5"	—
x1(E)	31	#5	7'-2"	—
x2(E)	70	#5	4'-1"	—
Item	Unit	Quantity		
Concrete Superstructure	Cu. Yd.	346.4		
Bridge Deck Grooving	Sq. Yd.	1,191		
Protective Coat	Sq. Yd.	1,523		
Reinforcement Bars, Epoxy Coated	Pound	76,080		
Bar Splicers	Each	740		



SECTION THRU PARAPET

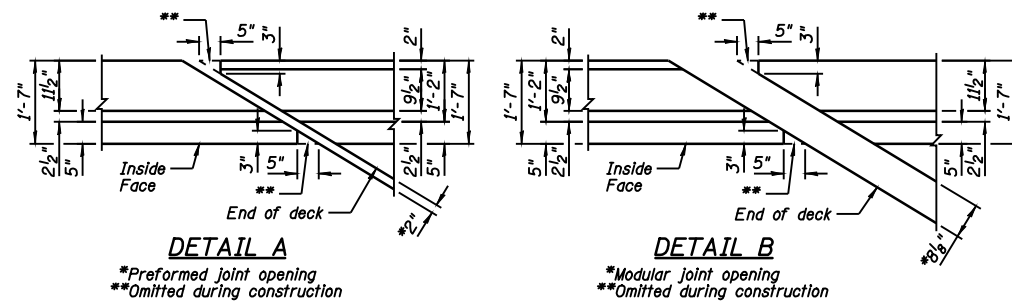


PARAPET JOINT DETAILS



DESIGNED	JML
CHECKED	MSW
DRAWN	DJM
CHECKED	MGO/MSW

DATE 03/05/09



NOTES:

- 1.) B.F. denotes Back Face and F.F. denotes Front Face.
- 2.) For location of Detail A and Detail B, see Sheet B12.
- 3.) Inside Elevation of Parapet view is exaggerated vertically to show reinforcement.
- 4.) Bars indicated thus 1x3-#4 etc. indicates 1 line of bars with 3 lengths per line.
- 5.) Space drainage scuppers to miss stud shear connectors and transverse reinforcing bars.

**SUPERSTRUCTURE DETAILS
STRUCTURE NO. 084-0028**

SHEET NO. B16	F.A.I. RTE.	SECTION	COUNTY	TOTAL SHEETS	SHEET NO.
	55	(84-3HB-6)BR	SANGAMON	90	50
44 SHEETS	SN 084-0028		CONTRACT NO. 72A64		
FED. ROAD DIST. NO. 6 ILLINOIS FED. AID PROJECT					