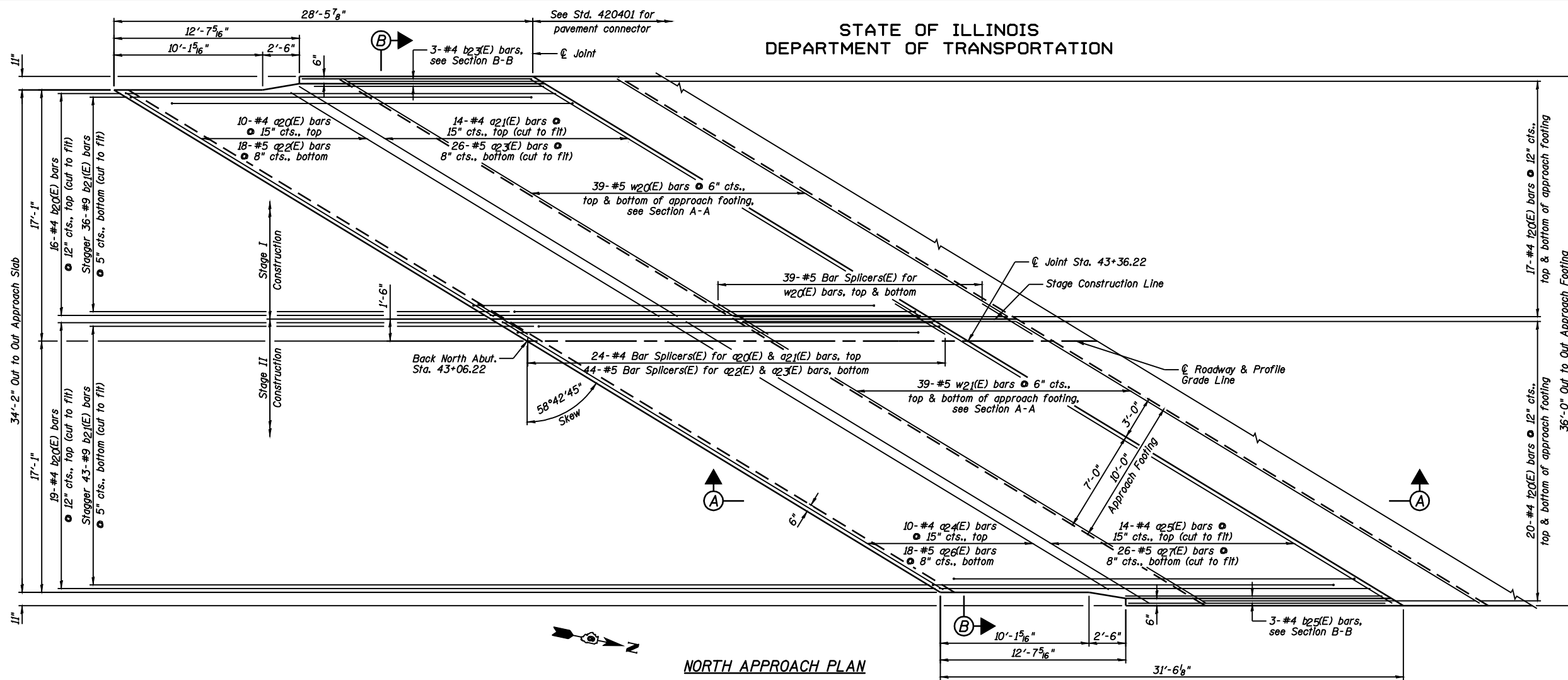


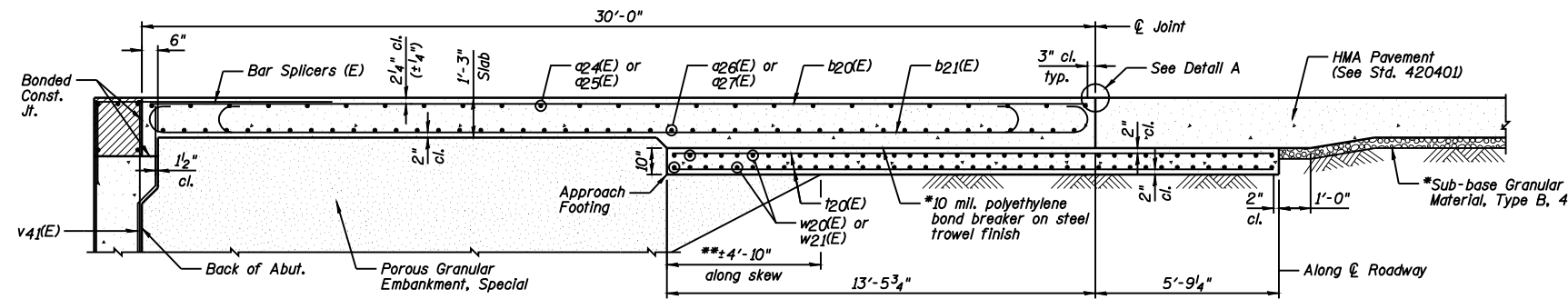
STATE OF ILLINOIS
DEPARTMENT OF TRANSPORTATION



**NORTH APPROACH SLAB
BILL OF MATERIAL**

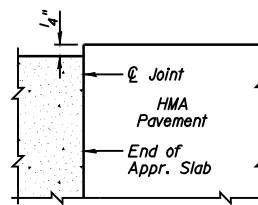
Bar	No.	Size	Length	Shape	
a2(E)	10	#4	29'-4"	—	
a21(E)	14	#4	31'-5"	—	
a23(E)	18	#5	29'-4"	—	
a25(E)	26	#5	31'-1"	—	
a26(E)	10	#4	35'-2"	—	
a27(E)	14	#4	37'-3"	—	
a28(E)	18	#5	35'-2"	—	
a29(E)	26	#5	36'-11"	—	
b2(E)	35	#4	30'-10"	—	
b21(E)	79	#9	29'-9"	—	
b23(E)	3	#4	15'-6"	—	
b25(E)	3	#4	18'-7"	—	
t2(E)	74	#4	18'-7"	—	
w2(E)	78	#5	31'-1"	—	
w21(E)	78	#5	36'-11"	—	
Item				Unit	Quantity
Concrete Superstructure				Cu. Yd.	59.3
Concrete Structures				Cu. Yd.	21.4
Reinforcement Bars, Epoxy Coated				Pound	19,360

NORTH APPROACH PLAN

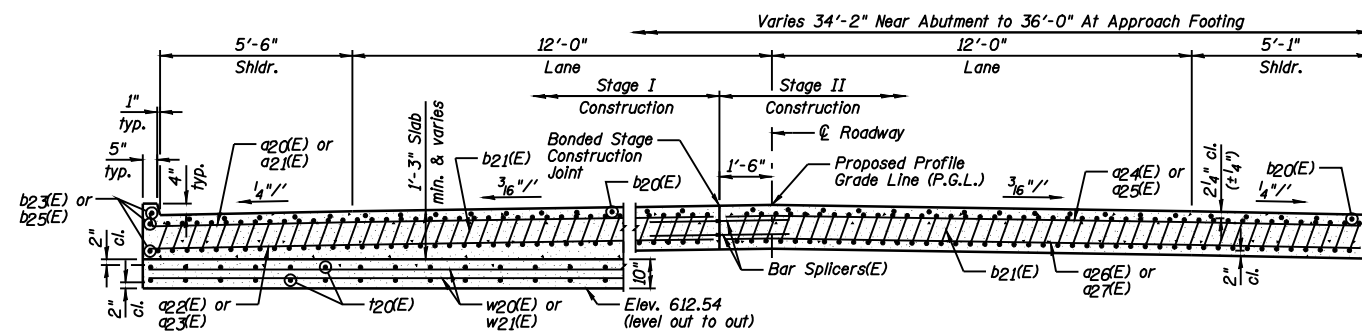
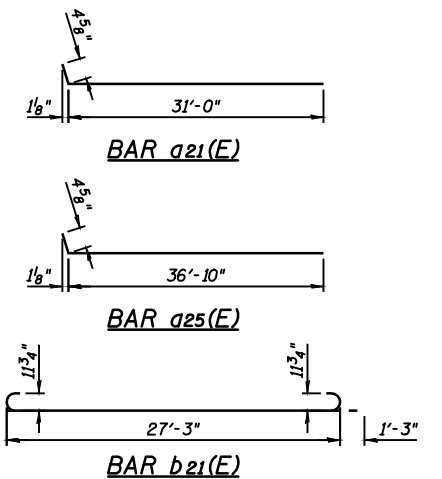


SECTION A-A

*Cost included with Concrete Superstructure.
**Compact Porous Granular Embankment, Special in this area.
Cost included with Porous Granular Embankment, Special.



**FLEXIBLE PAVEMENT
DETAIL A**



AT APPROACH FOOTING

NEAR ABUTMENT

SECTION B-B

NOTES:

- a2(E) thru a27(E), w2(E) and w21(E) bar spacings measured perpendicular to $\bar{\Delta}$ Roadway.
- 1/4" #9 b21(E) bars as required to maintain clearance.
- Approach Slab shall be paid for as Concrete Superstructure.
- Approach Footing concrete shall be paid for as Concrete Structures.
- Reinforcement shall be paid for as Reinforcement Bars, Epoxy Coated.
- For v41(E) bar details, see Sheet B39.
- The Approach Footing maximum applied service bearing pressure (Qmax) = 2.0 ksf.
- See Sheet B44 for Bar Splicer Details.
- Cost of excavation for Approach Footing Included with Concrete Structures.
- For Porous Granular Embankment, Special and drainage treatment details, see Sheet B2.
- Hatched area to be poured after superstructure false work has been removed.

**NORTH BRIDGE APPROACH
SLAB DETAILS
STRUCTURE NO. 084-0028**

DESIGNED	JML
CHECKED	MSW
DRAWN	DJM
CHECKED	MGO/MSW

DATE 03/05/09

FARNSWORTH GROUP, INC.

CONSULTING ENGINEERS - 2709 MCGRAW DRIVE BLOOMINGTON, ILLINOIS 61704 (309) 663-8435 / (309) 663-1571 FAX

SHEET NO. B18	F.A.I. RTE.	SECTION	COUNTY	TOTAL SHEETS	SHEET NO.
	55	(84-3HB-6)BR	SANGAMON	90	52
44 SHEETS	SN 084-0028		CONTRACT NO. 72A64		
FED. ROAD DIST. NO. 6 ILLINOIS FED. AID PROJECT					