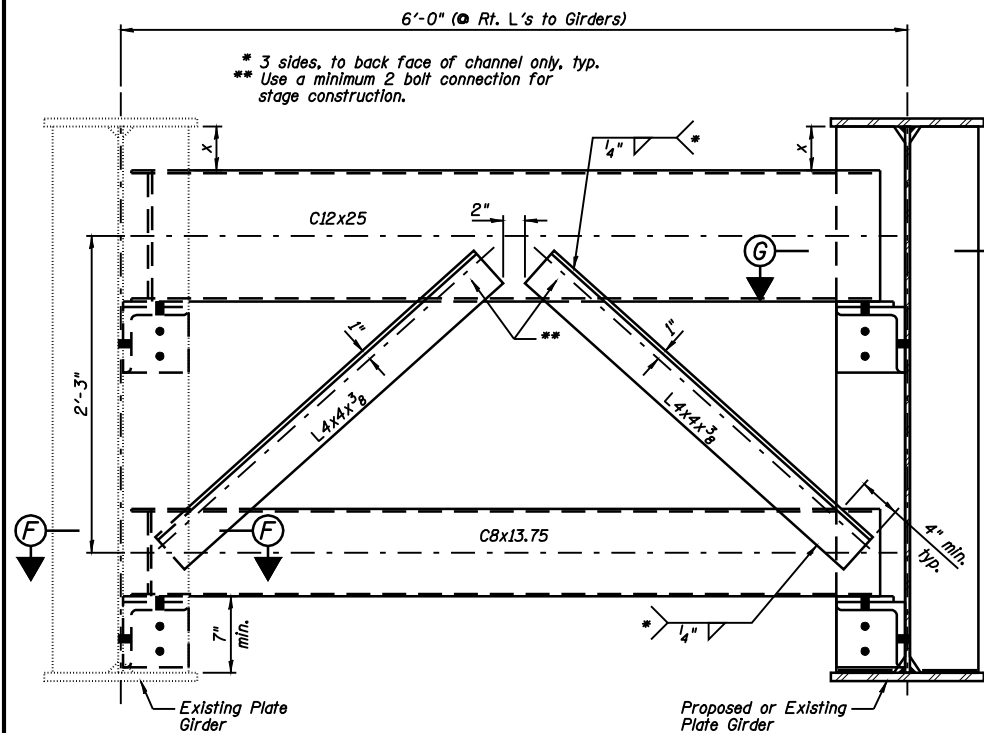


STATE OF ILLINOIS
DEPARTMENT OF TRANSPORTATION



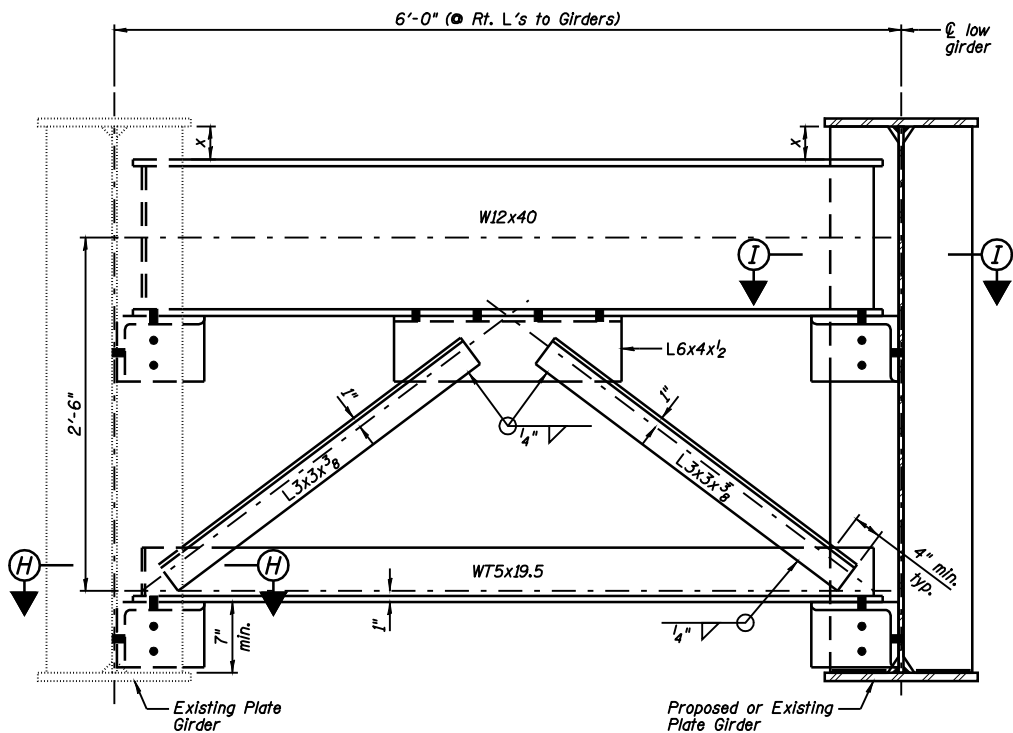
TYPICAL END CROSS FRAME AT SOUTH ABUTMENT - CF1
(5 - Required)

- Notes: 1.) Detail $\frac{5}{16}$ " ϕ holes for all $\frac{3}{4}$ " ϕ bolts.
2.) Two hardened washers shall be required for each set of oversized holes.
3.) Place diaphragm with projected legs outward from abutment backwall.
4.) Bearing Stiffeners shall be welded to flanges when used as cross frame Connection Plates.

| Girder No. | "x" Dimension |
|------------|---------------|
| 1 | 5 1/2" |
| 2 | 5 1/8" |
| 3 | 5 1/4" |
| 4 | 4 9/16" |
| 5 | 4 5/8" |
| 6 | 5 1/2" |

TYPICAL INTERIOR CROSS FRAME - CF2 (CONNECTION "A")
(15 - Required)

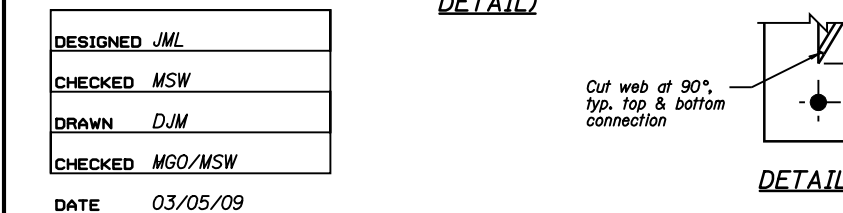
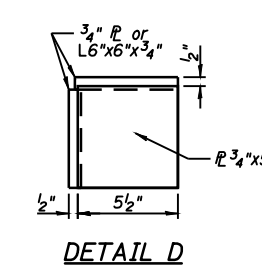
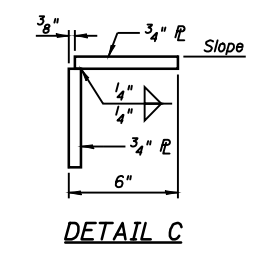
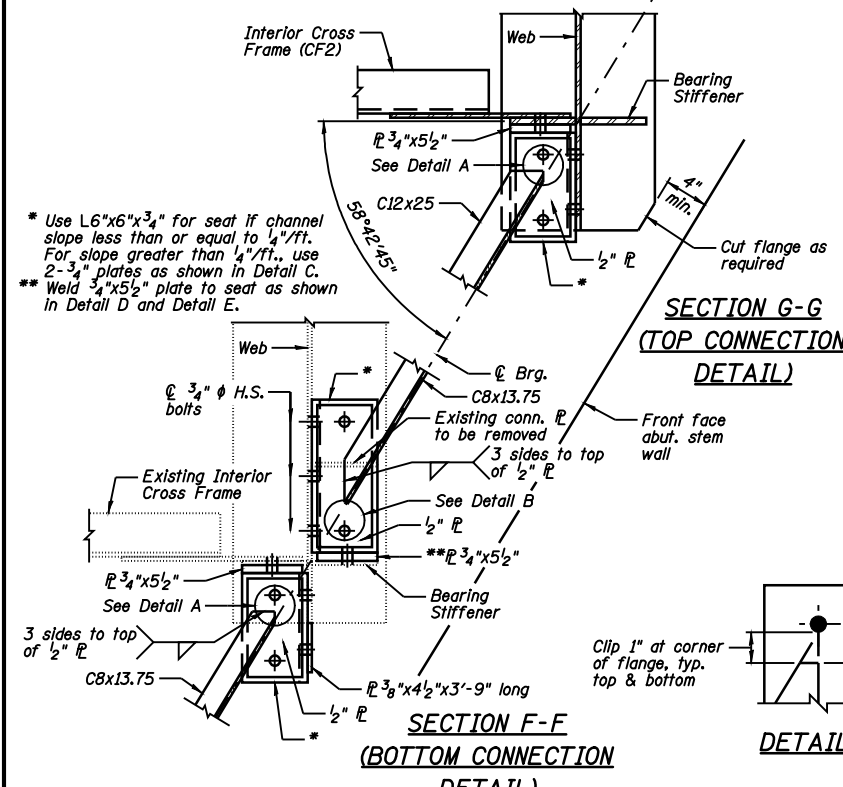
- Notes: 1.) See Sheet B22 for Cross Frame Connection "A" locations.
2.) Detail $\frac{5}{16}$ " ϕ holes for all $\frac{3}{4}$ " ϕ bolts.
3.) Two hardened washers shall be required for each set of oversized holes.
4.) For existing to proposed connection, match existing bolt holes. The Fabrication Contractor shall provide connection details for all existing to proposed connections per the existing shop drawings.



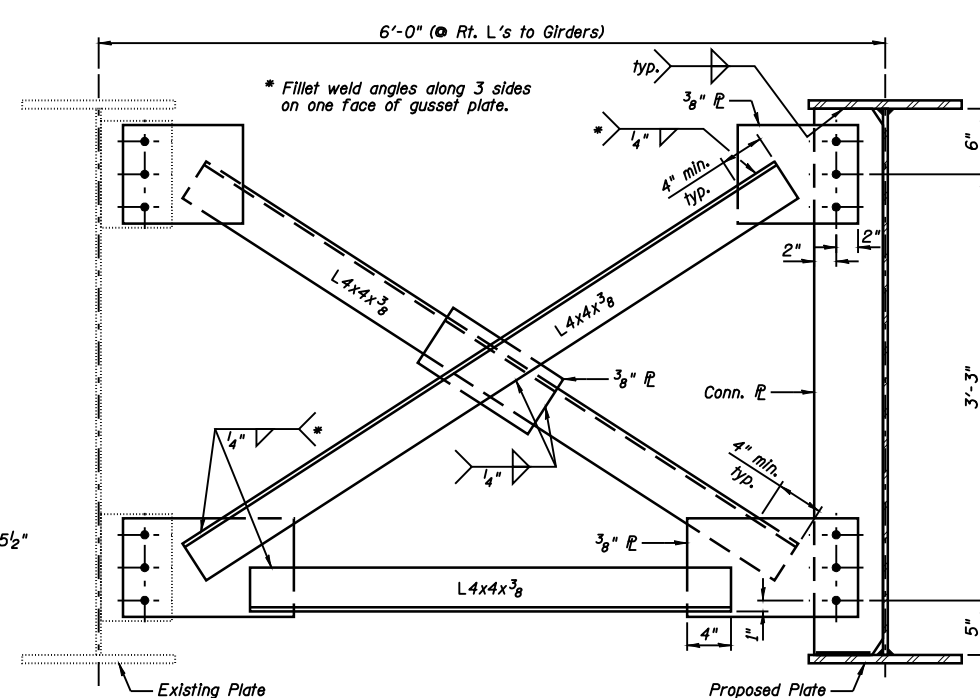
TYPICAL END CROSS FRAME AT NORTH ABUTMENT - CF3
(5 - Required)

- Notes: 1.) Detail $\frac{5}{16}$ " ϕ holes for all $\frac{3}{4}$ " ϕ bolts.
2.) Two hardened washers shall be required for each set of oversized holes.

| Girder No. | "x" Dimension |
|------------|---------------|
| 1 | 5 1/2" |
| 2 | 5 1/4" |
| 3 | 5 3/8" |
| 4 | 5 1/4" |
| 5 | 5 1/2" |
| 6 | 5 1/2" |

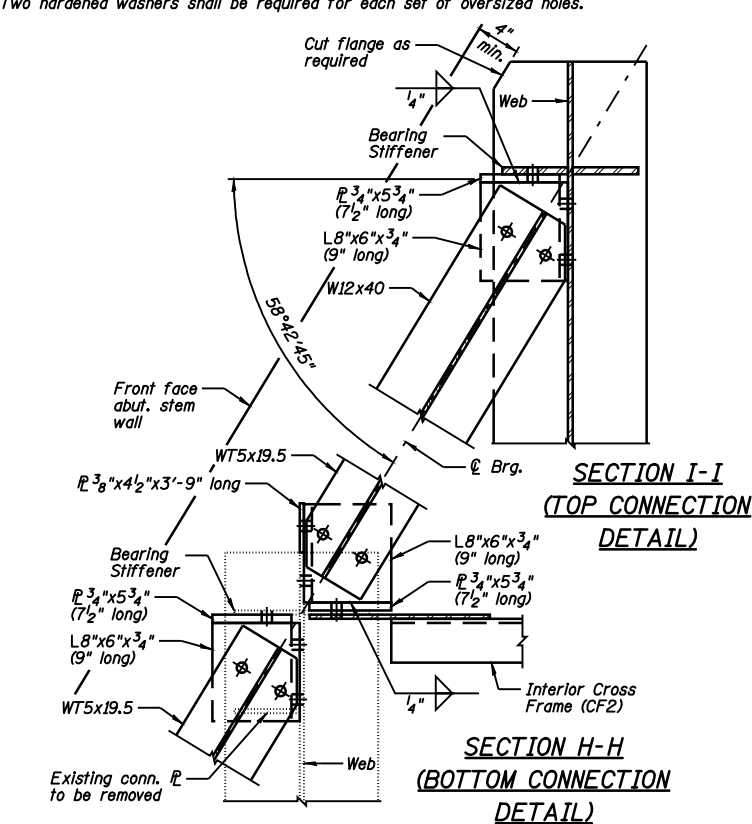


| |
|-----------------|
| DESIGNED JML |
| CHECKED MSW |
| DRAWN DJM |
| CHECKED MGO/MSW |
| DATE 03/05/09 |



TYPICAL INTERIOR CROSS FRAME - CF2 (CONNECTION "B")
(15 - Required)

- Notes: 1.) See Sheet B22 for Cross Frame Connection "B" locations.
2.) Detail $\frac{5}{16}$ " ϕ holes for all $\frac{3}{4}$ " ϕ bolts.
3.) Two hardened washers shall be required for each set of oversized holes.
4.) For existing to proposed connection, match existing bolt holes. The Fabrication Contractor shall provide connection details for all existing to proposed connections per the existing shop drawings.



STRUCTURAL STEEL
STRUCTURE NO. 084-0028

| | | | | | |
|---|-------------|--------------|--------------------|--------------|-----------|
| SHEET NO. B25 | F.A.I. RTE. | SECTION | COUNTY | TOTAL SHEETS | SHEET NO. |
| | 55 | (84-3HB-6)BR | SANGAMON | 90 | 59 |
| 44 SHEETS | SN 084-0028 | | CONTRACT NO. 72A64 | | |
| FED. ROAD DIST. NO. 6 ILLINOIS FED. AID PROJECT | | | | | |