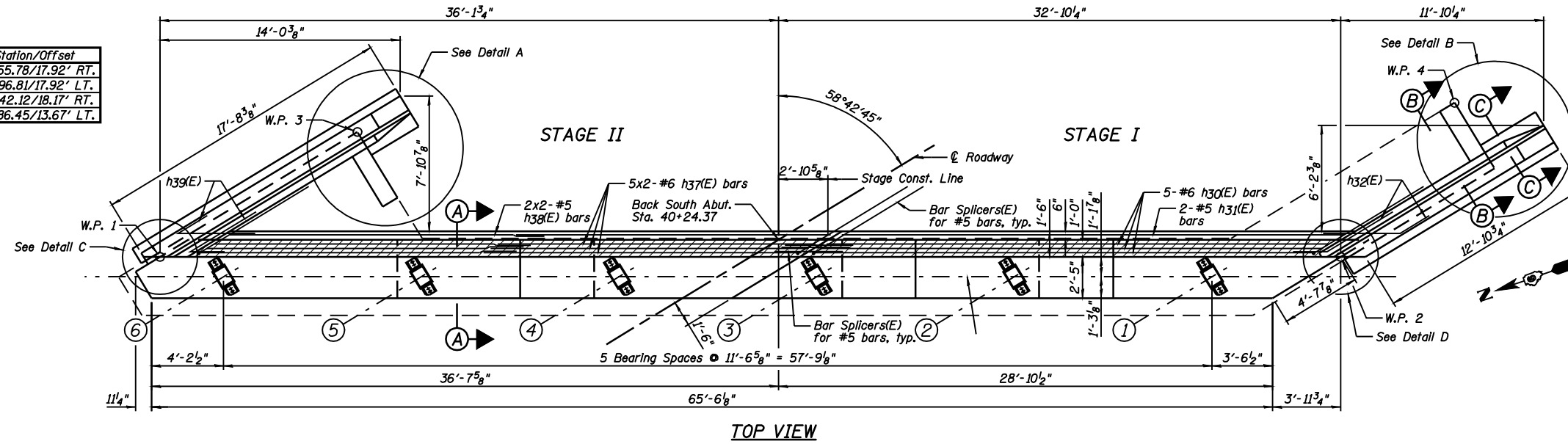
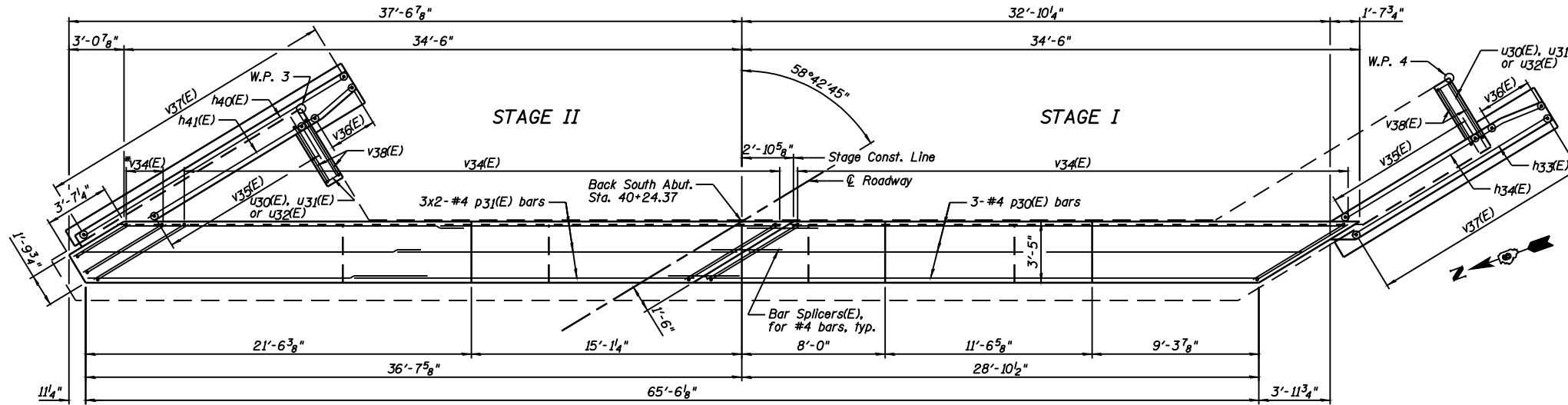


STATE OF ILLINOIS
DEPARTMENT OF TRANSPORTATION

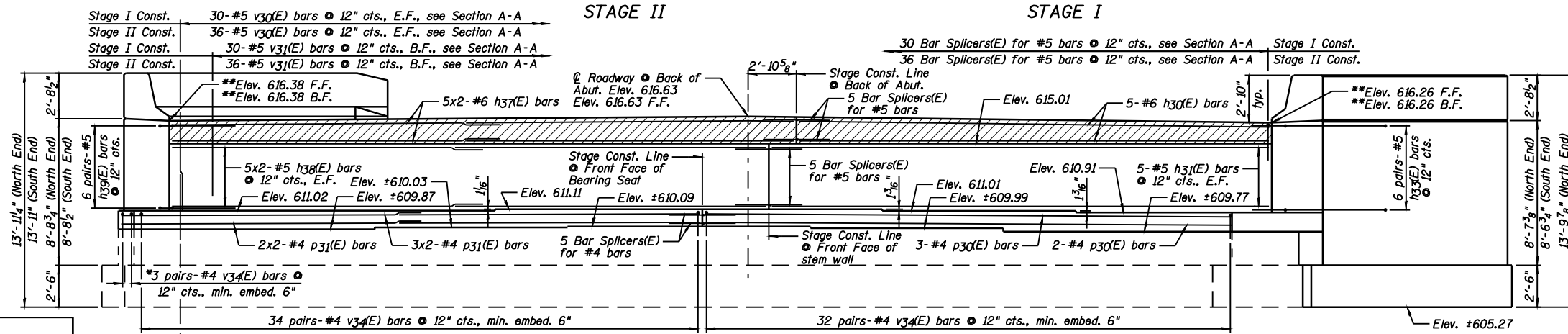
Location	Station/Offset
W.P. 1	40+55.78/17.92' RT.
W.P. 2	39+96.81/17.92' LT.
W.P. 3	40+42.12/18.17' RT.
W.P. 4	39+86.45/13.67' LT.



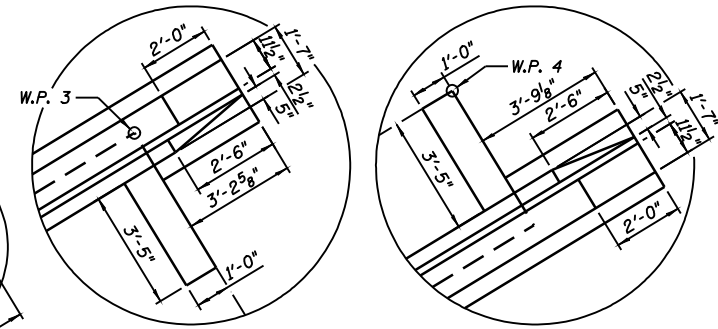
TOP VIEW



PLAN - BEARING SEAT

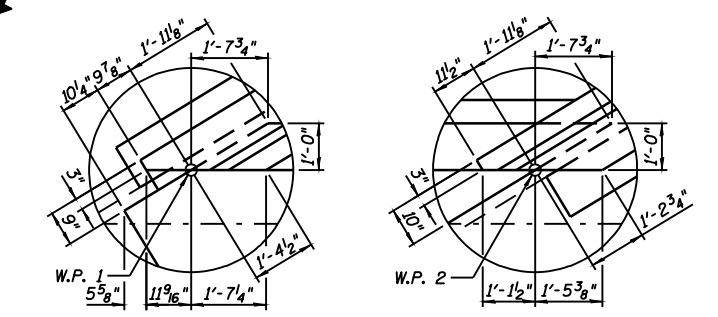


ELEVATION



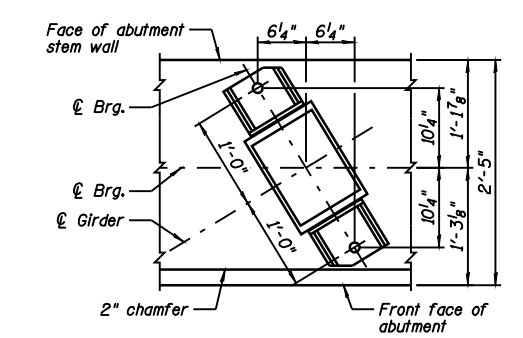
DETAIL A

DETAIL B



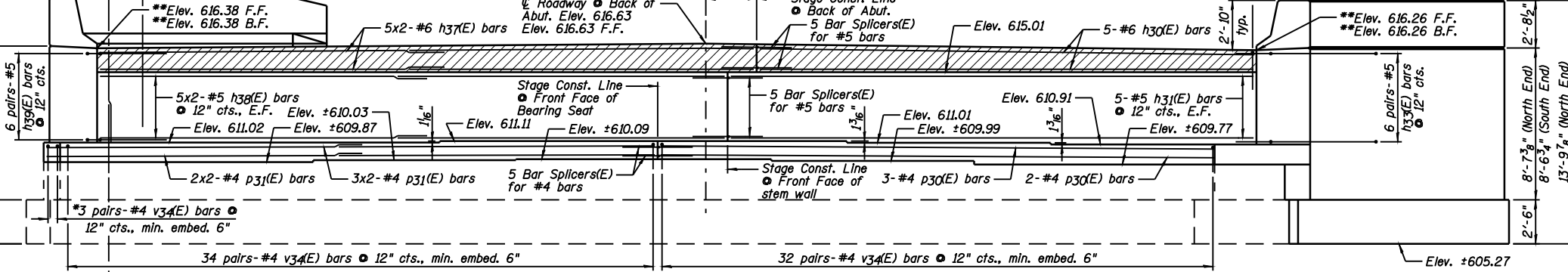
DETAIL C

DETAIL D



TYPICAL ANCHOR BOLT PLACEMENT DETAIL

- | | | | | | |
|-----------------|---|----------|---------|--|-----------------|
| Stage I Const. | 30-#5 v30(E) bars @ 12" cts., E.F., see Section A-A | STAGE II | STAGE I | 30 Bar Splicers(E) for #5 bars @ 12" cts., see Section A-A | Stage I Const. |
| Stage II Const. | 36-#5 v30(E) bars @ 12" cts., E.F., see Section A-A | | | 36 Bar Splicers(E) for #5 bars @ 12" cts., see Section A-A | Stage II Const. |
| Stage I Const. | 30-#5 v31(E) bars @ 12" cts., B.F., see Section A-A | | | | |
| Stage II Const. | 36-#5 v31(E) bars @ 12" cts., B.F., see Section A-A | | | | |



- NOTES:**
- See Sheet B35 for Section A-A and Sheet B34 for Section B-B & C-C.
 - Hatched area to be poured after superstructure false work has been removed. Quantity included with Concrete Superstructure shown on Sheet B16.
 - Drill & epoxy grout v32(E), v33(E) & v34(E) bars in appropriate drilled holes according to Section 584 of the Standard Specifications. The type of epoxy shall be approved by the Engineer.
 - See Sheet B35 for Bill of Material and Bar Cutting Diagram.
 - Space reinforcement in cap to miss anchor bolts.
 - F.F. denotes Front Face, B.F. denotes Back Face & E.F. denotes Each Face.
 - See Sheet B44 for Bar Splicer Details.
 - Bar Splicers extending from the back wall into the approach slab shall be placed parallel to the approach slab reinforcement.

**SOUTH ABUTMENT
STRUCTURE NO. 084-0028**

DESIGNED	JML
CHECKED	MSW
DRAWN	DJM
CHECKED	MGO/MSW
DATE	03/05/09

- | | |
|-----------------|---|
| Stage I Const. | 30-#5 v32(E) bars @ 12" cts., F.F. & 30-#5 v33(E) bars @ 12" cts., B.F., min. embed. 7 1/2", lap with v30(E) bars |
| Stage II Const. | 36-#5 v32(E) bars @ 12" cts., F.F. & 30-#5 v33(E) bars @ 12" cts., B.F., min. embed. 7 1/2", lap with v30(E) bars |

*Field cut #4 v34(E) bars to fit.
**Elevations are located at the front and back face of the hatched area.

BAR LAP
#4 - 1'-4"
#5 - 1'-8"
#6 - 2'-0"

SHEET NO. B33 44 SHEETS	F.A.I. RTE.	SECTION	COUNTY	TOTAL SHEETS	SHEET NO.
	55	(84-3HB-6)BR	SANGAMON	90	67
SN 084-0028			CONTRACT NO. 72A64		
FED. ROAD DIST. NO. 6 ILLINOIS FED. AID PROJECT					