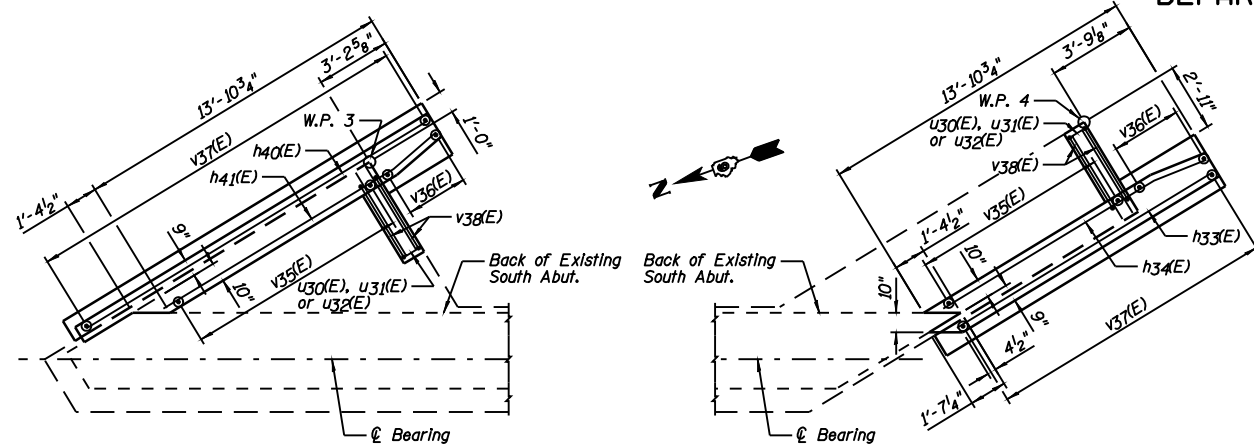
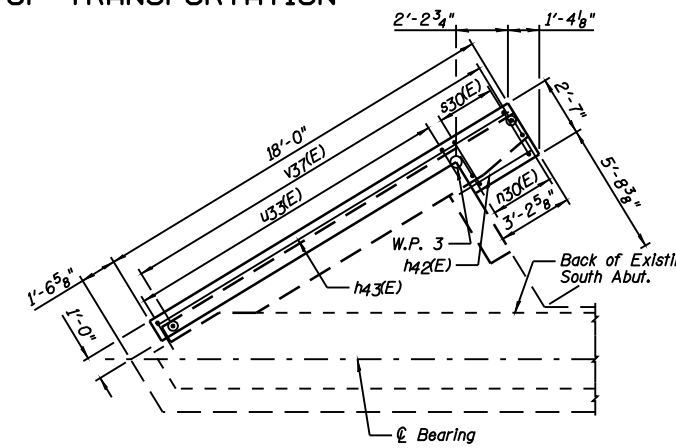


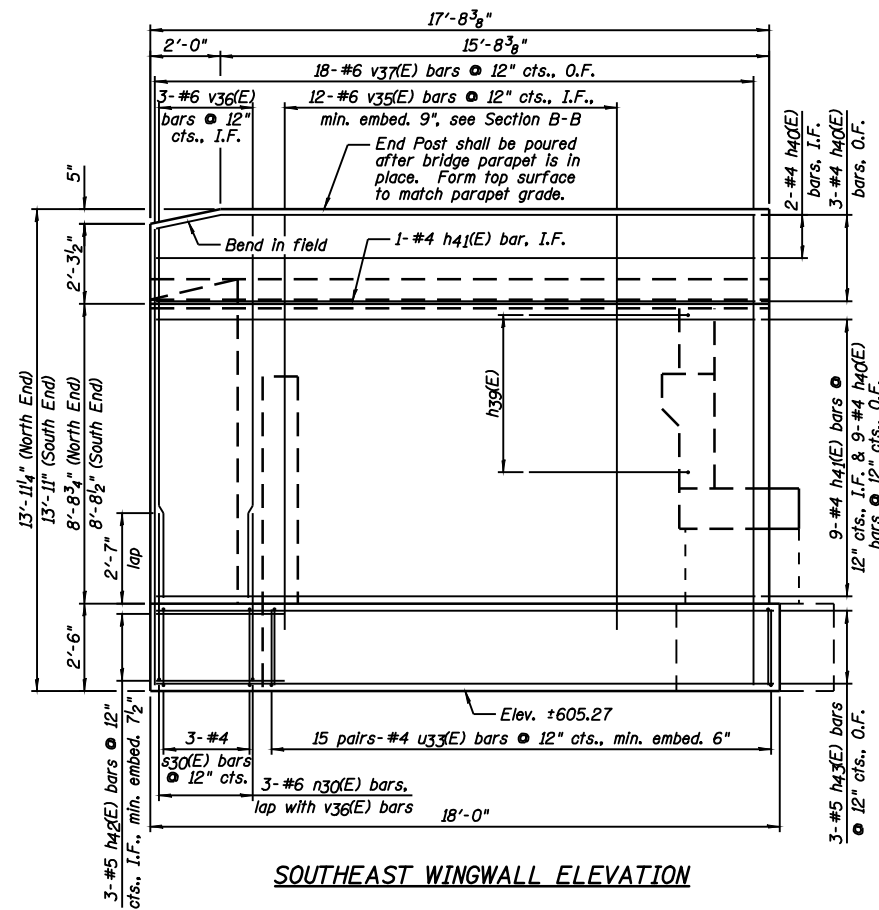
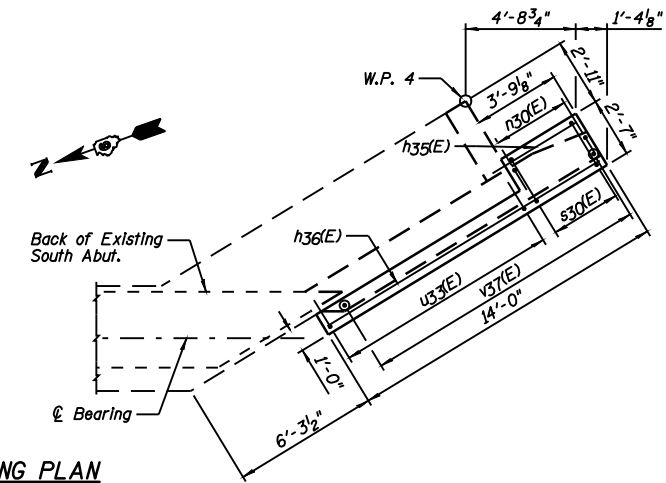
STATE OF ILLINOIS  
DEPARTMENT OF TRANSPORTATION



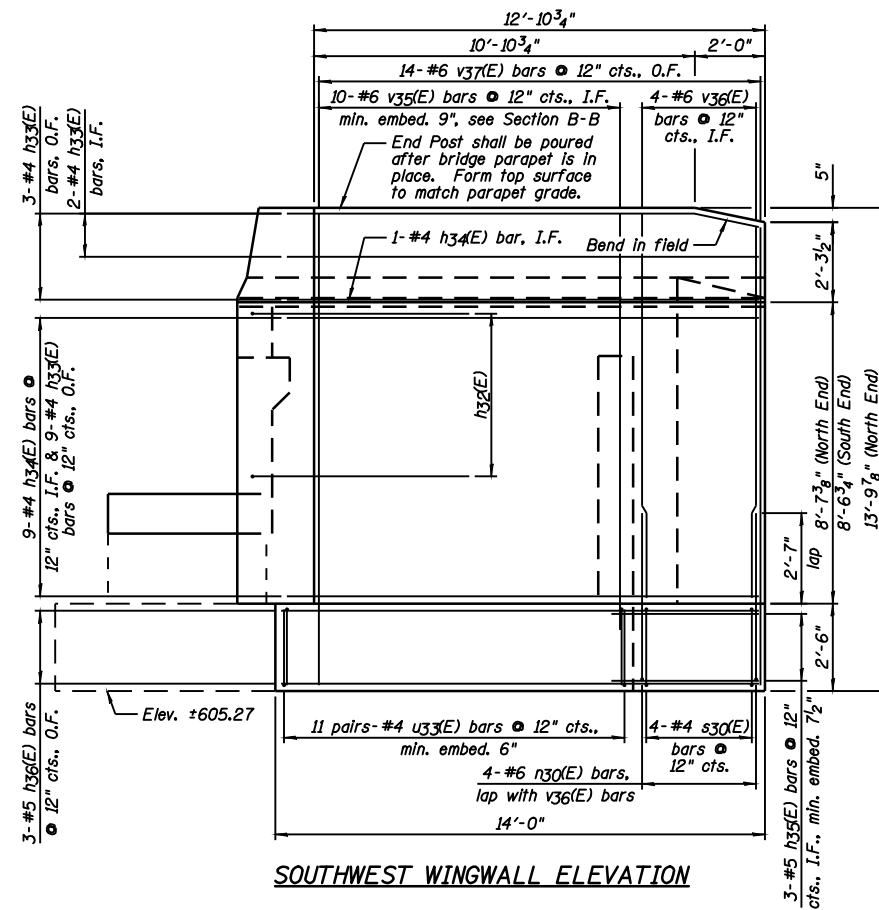
PARTIAL PLAN @ ELEV. 609.70



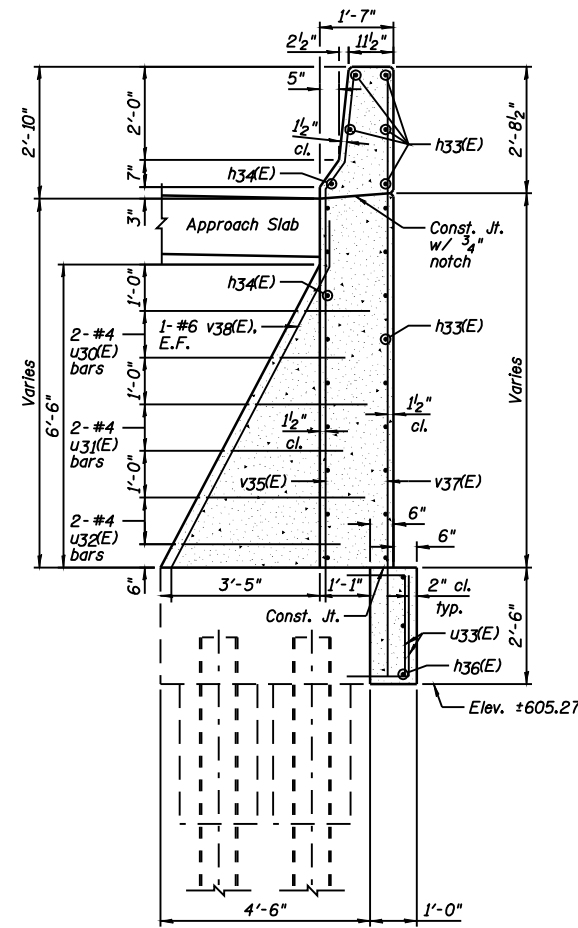
PARTIAL FOOTING PLAN



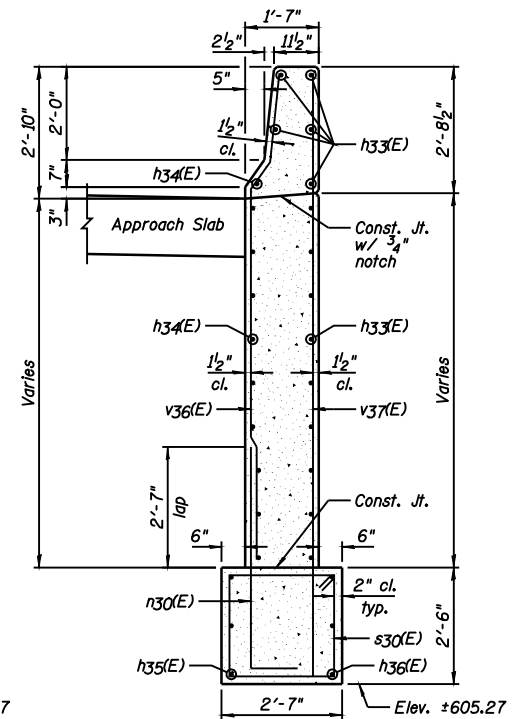
SOUTHEAST WINGWALL ELEVATION



SOUTHWEST WINGWALL ELEVATION



SECTION B-B  
(Similar for Southeast Wingwall)



SECTION C-C  
(Similar for Southeast Wingwall)

DESIGNED	JML
CHECKED	MSW
DRAWN	DJM
CHECKED	MGO/MSW

DATE 03/05/09

FARNSWORTH GROUP, INC.

NOTES:

- See Sheet B33 for location of Sections B-B & C-C.
- Drill & epoxy grout h35(E), h42(E), u33(E), v35(E) & v36(E) bars in appropriate drilled holes according to Section 584 of the Standard Specifications. The type of epoxy grout shall be approved by the Engineer.
- See Sheet B35 for Bill of Material.
- I.F. denotes Inside Face & O.F. denotes Outside Face.

SHEET NO. B34	F.A.I. RTE.	SECTION	COUNTY	TOTAL SHEETS	SHEET NO.
	55	(84-3HB-6)BR	SANGAMON	90	68
44 SHEETS	SN 084-0028		CONTRACT NO. 72A64		
FED. ROAD DIST. NO. 6 ILLINOIS FED. AID PROJECT					