

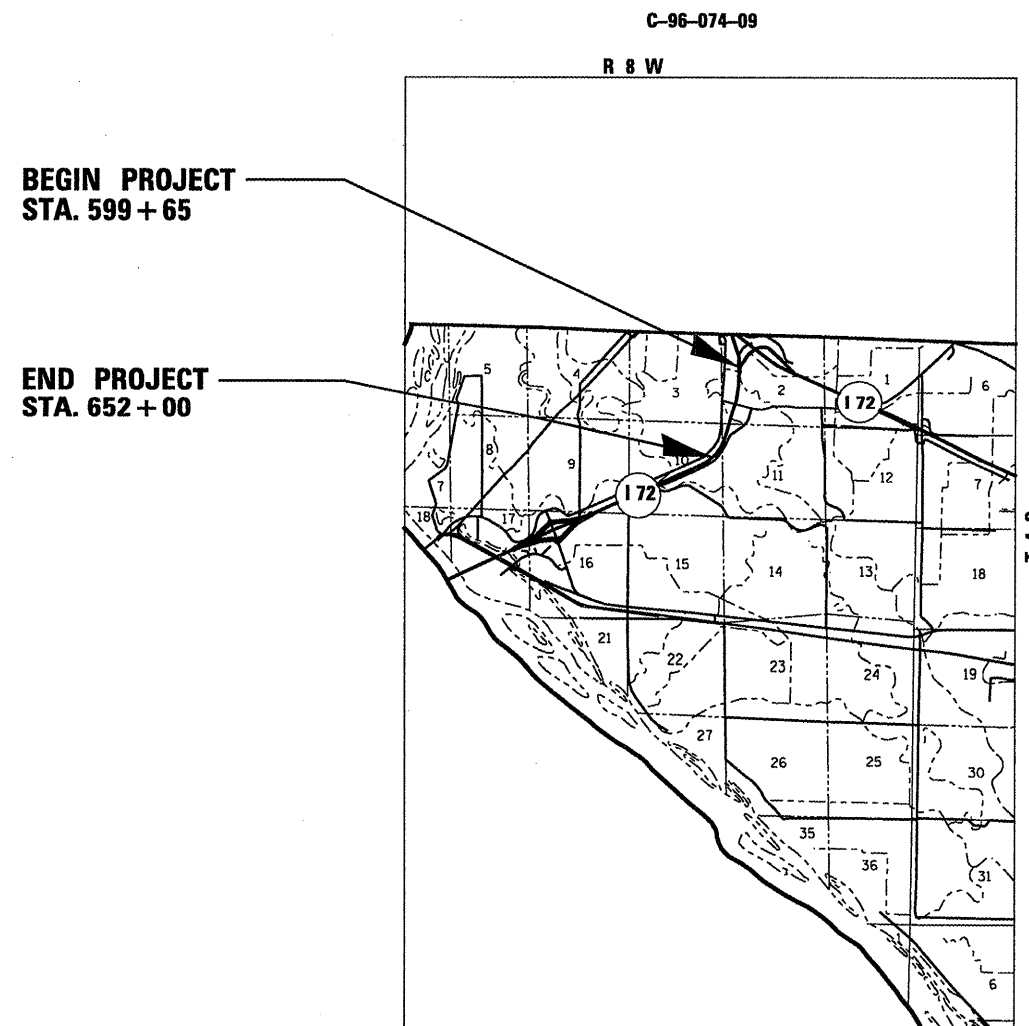
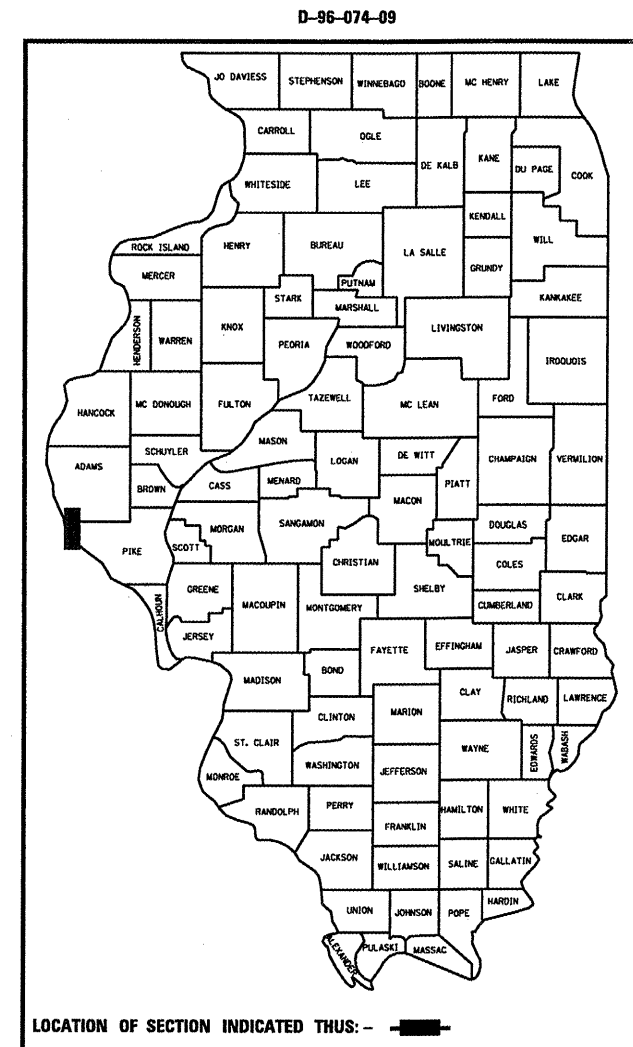
STATE OF ILLINOIS
DEPARTMENT OF TRANSPORTATION
DIVISION OF HIGHWAYS
**PROPOSED
CONTRACT MAINTENANCE**

F.A.J. RTE.	SECTION	COUNTY	TOTAL SHEETS	SHEET NO.
72	75-1 PATCHING 2009	PIKE	7	1
FED. ROAD DIST. NO.	ILLINOIS	CONTRACT NO. 72C79		

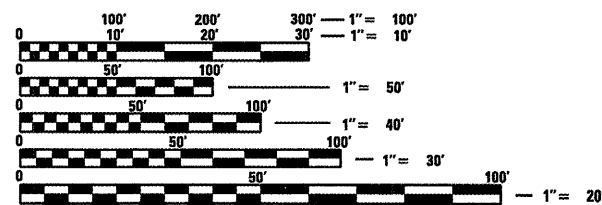
FOR INDEX OF SHEETS, SEE SHEET NO. 2

FAI 72 ROUTE (I-72)
SECTION 75-1 PATCHING 2009

PIKE COUNTY



NET LENGTH = 5,235 FT. = 0.992 MILE



FULL SIZE PLANS HAVE BEEN PREPARED USING STANDARD ENGINEERING SCALES. REDUCED SIZED PLANS WILL NOT CONFORM TO STANDARD SCALES. IN MAKING MEASUREMENTS ON REDUCED PLANS, THE ABOVE SCALES MAY BE USED.

J.U.L.I.E.
JOINT UTILITY LOCATION INFORMATION FOR EXCAVATION
1-800-892-0123
OR 811

PLAN AND CONTRACT TECHNICIAN
TIMOTHY SHARP (217)782-7743

CONTRACT NO. 72C79

STATE OF ILLINOIS
DEPARTMENT OF TRANSPORTATION
DIVISION OF HIGHWAYS

SUBMITTED March 18, 2009
Rep Z Disher
DEPUTY DIRECTOR OF HIGHWAYS, REGION ENGINEER

May 8, 2009
Charles J. Ingersoll
ENGINEER OF DESIGN AND ENVIRONMENT

May 8, 2009
Christine M. Reed
DIRECTOR OF HIGHWAYS, CHIEF ENGINEER

**PRINTED BY THE AUTHORITY
OF THE STATE OF ILLINOIS**

INDEX

- 1 COVER
- 2 INDEX/STANDARDS/SIGNATURES
- 3 QUANTITIES
- 4 TYPICAL SECTIONS
- 5-6 SCHEDULE
- 7 BUTT JOINT DETAIL

STANDARDS

- 442001-04
- 701101-02
- 701106-02
- 701400-03
- 701406-05
- 701411-05
- 701901-01

STATE OF ILLINOIS DEPARTMENT OF TRANSPORTATION DIVISION OF HIGHWAYS DISTRICT 6	
EXAMINED <u>March 11</u> 20 <u>09</u>	<u>[Signature]</u> ENGINEER OF OPERATIONS
EXAMINED <u>March 11</u> 20 <u>09</u>	<u>[Signature]</u> ENGINEER OF PROGRAM IMPLEMENTATION
EXAMINED <u>MARCH 15</u> 20 <u>09</u>	<u>[Signature]</u> ENGINEER OF PROGRAM DEVELOPMENT

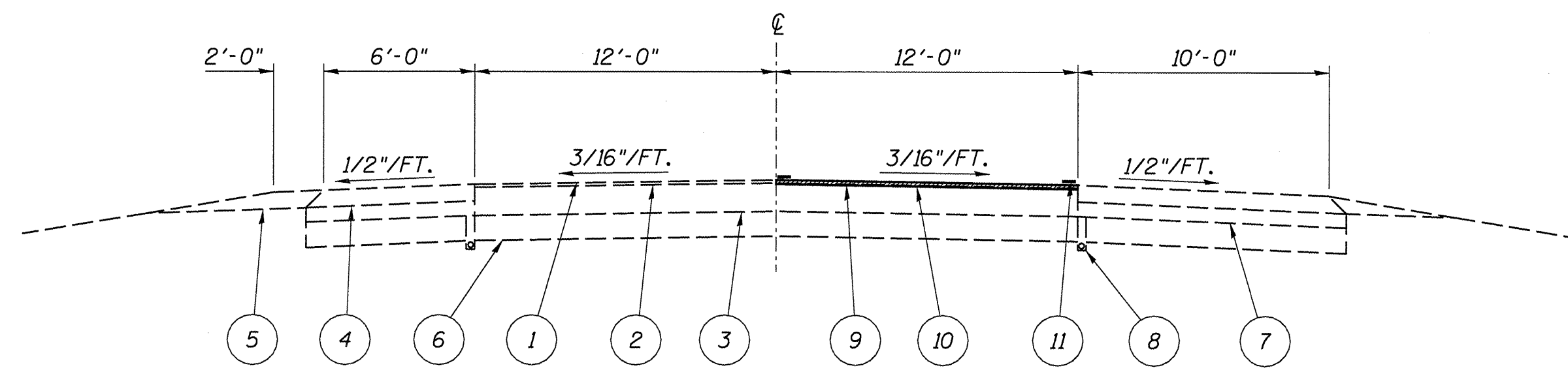
NOTE: MILLINGS FROM THIS PROJECT ARE TO BE DELIVERED TO
A STORAGE LOCATION NEAR THE PROJECT - CONTACT PERSON -
RICK WALKER - (217)653-1864

INDEX/STANDARDS/SIGNATURES
FAI 72 (I-72)
SECTION 75-1 PATCHING 2009
PIKE COUNTY

S U M M A R Y O F Q U A N T I T I E S

CODE NO.	ITEM	UNIT	100% STATE
			1000
			TOTAL QTY
40600200	BITUMINOUS MATERIALS (PRIME COAT)	TON	2.7
40600300	AGGREGATE (PRIME COAT)	TON	14.0
40600895	CONSTRUCTING TEST STRIP	EACH	1
40600990	TEMPORARY RAMP	SQ YD	17.8
40603545	POLYMERIZED HOT-MIX ASPHALT SURFACE COURSE, MIX "D", N90	TON	838
44000157	HOT-MIX ASPHALT SURFACE REMOVAL, 2"	SQ YD	6,980
44201827	CLASS D PATCHES, TYPE II, 15 INCH	SQ YD	100
44201831	CLASS D PATCHES, TYPE III, 15 INCH	SQ YD	50
44201833	CLASS D PATCHES, TYPE IV, 15 INCH	SQ YD	100
67100100	MOBILIZATION	L SUM	1
70100420	TRAFFIC CONTROL AND PROTECTION, STANDARD 701411	EACH	1

QUANTITIES
FAI 72 (I-72)
SECTION 75-1 PATCHING 2009
PIKE COUNTY



I-72 WESTBOUND LANES
STA. 599+65 TO 652+00

- 1 - EXIST. MICRO-SURFACING
- 2 - EXIST. H.M.A. SURFACE COURSE 1 1/2"
- 3 - EXIST. H.M.A. BINDER COURSE 13 1/2"
- 4 - EXIST. H.M.A. SHOULDER 8"
- 5 - EXIST. AGGREGATE SHOULDER, TYPE B
- 6 - EXIST. PROCESSING LIME MODIFIED SOIL 12"
- 7 - EXIST. SUB-BASE GRANULAR MATERIAL, TYPE C
- 8 - EXIST. PIPE UNDERDRAINS 4"
- 9 - PROP. H.M.A. SURFACE REMOVAL 2"
- 10 - PROP. POLYMERIZED H.M.A. SURFACE COURSE, MIX D, N90 2"
- 11 - PROP. URETHANE PAVEMENT MARKING - LINE 5"

TYPICAL SECTIONS
FAI 72 (I-72)
SECTION 75-1 PATCHING 2009
PIKE COUNTY

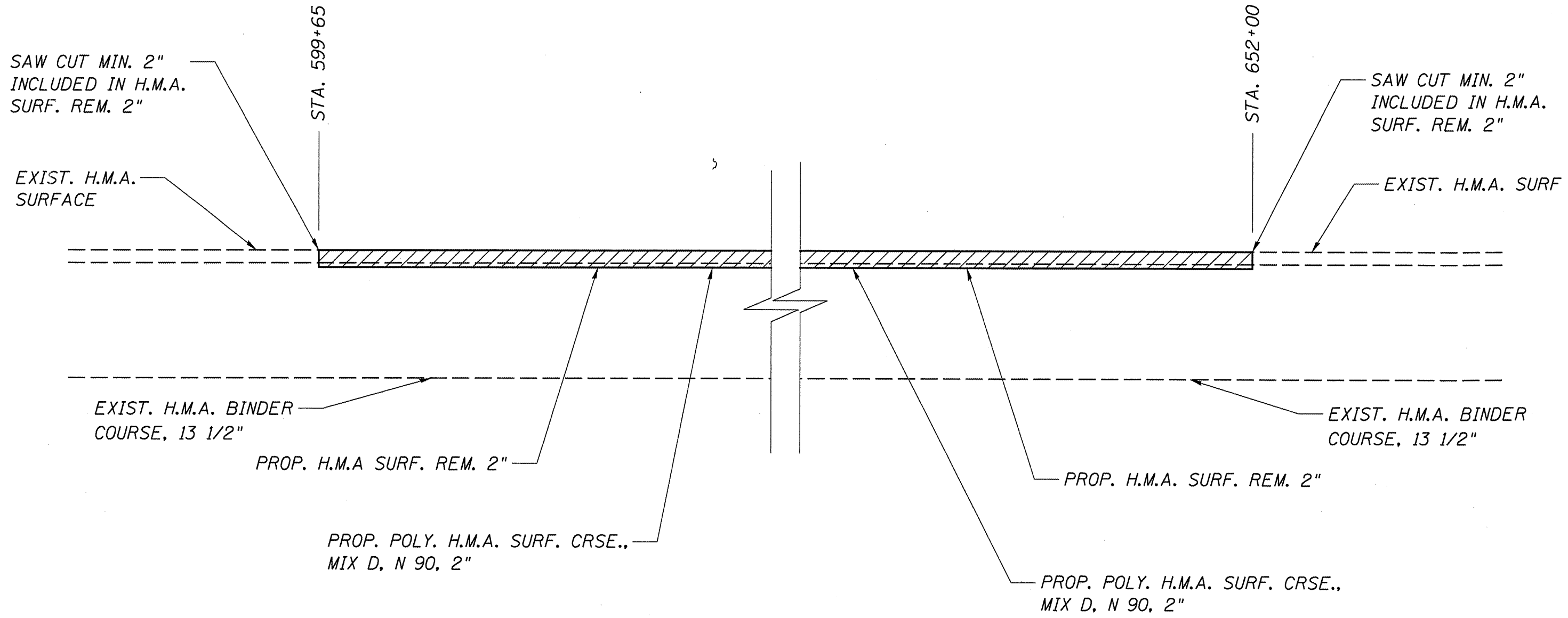
PAVEMENT MARKING SCHEDULE			
STATION	TYPE	URETHANE PAV'T.	PREF. PLAS. PAV'T.
		MARK. - LINE 5"	MARK. - LINE 5"
		WHITE	WHITE
RT 599+65 TO 652+00	EDGE LINE	5,235 FT	
RT 599+65 TO 652+00	SKIP DASH		1,312 FT
TOTALS		5,235 FT	1,312 FT

MIXTURE REQUIREMENTS		
THE FOLLOWING MIXTURE REQUIREMENTS ARE APPLICABLE FOR THIS PROJECT		
MIXTURE USE(S):	POLY. H.M.A. S.C., MIX D, N90	CLASS D PATCHES
AC/PG	SBS PG 70-22	PG 64-22
DESIGN AIR VOIDS:	4.0% @ N DESIGN = 90	4.0% @ N DESIGN = 90
MIXTURE COMP:	IL 9.5 OR 12.5	IL 9.5
FRICITION AGG:	MIX "D"	N/A

NOTES:

1. STATIONS ARE APPROXIMATE.

SCHEDULES
FAI 72 (I-72)
SECTION 75-1 PATCHING 2009
PIKE COUNTY



BUTT JOINT
FAI 72 (I-72)
SECTION 75-1 PATCHING 2009
PIKE COUNTY