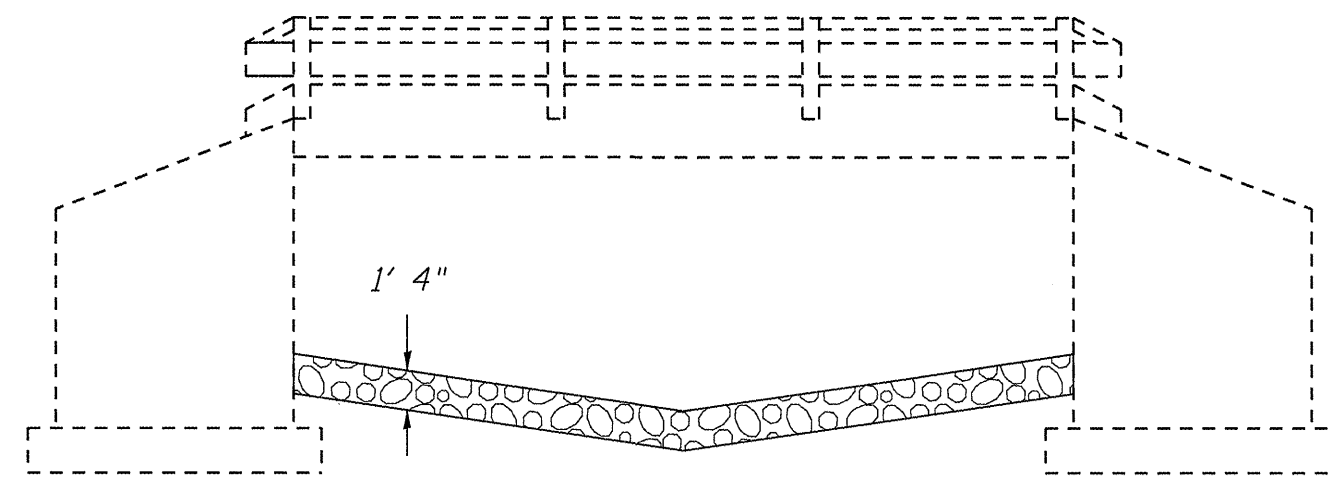
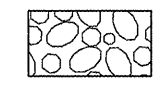


PLAN



ELEVATION



PROPOSED STONE
RIPRAP, CLASS A3

BILL OF MATERIAL (084-0097)	
STONE RIPRAP, CALSS A3	155 SQ YD

NOTES:

THE USE OF FILTER FABRIC AND BEDDING STONE WILL NOT
BE REQUIRED.

084-0097 RIPRAP DETAIL
VARIOUS COUNTIES
SECTION D 6 SCOUR MITIGATION
VARIOUS COUNTIES