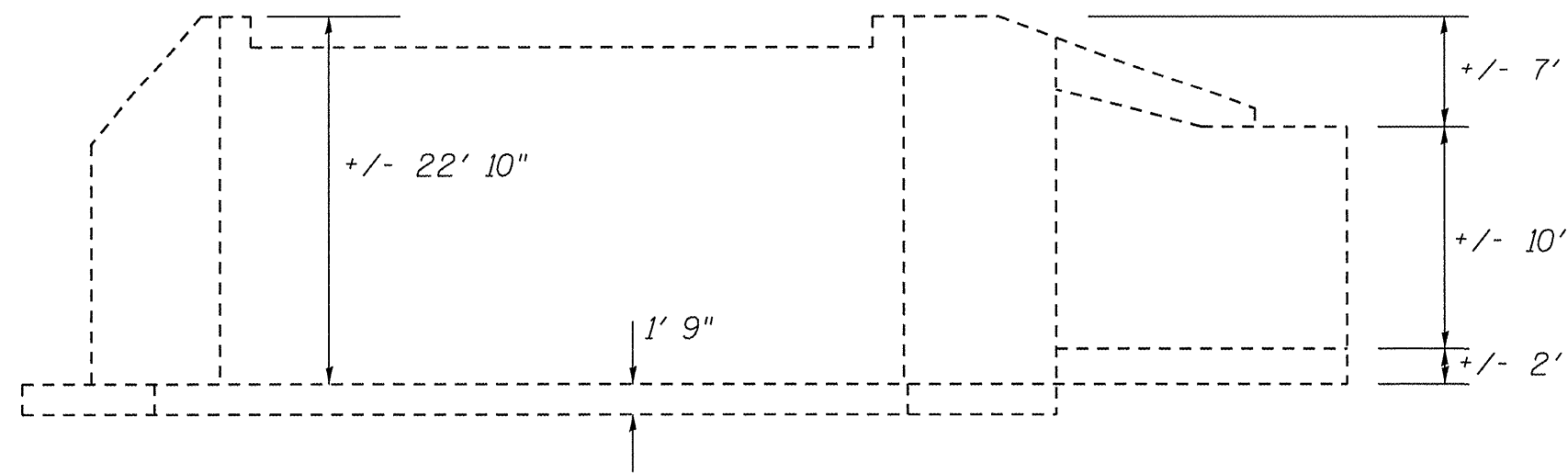


SOUTH ABUTMENT PLAN



SOUTH ABUTMENT ELEVATION

086-0004 ABUTMENT DETAIL  
VARIOUS ROUTES  
SECTION D 6 SCOUR MITIGATION  
VARIOUS COUNTIES