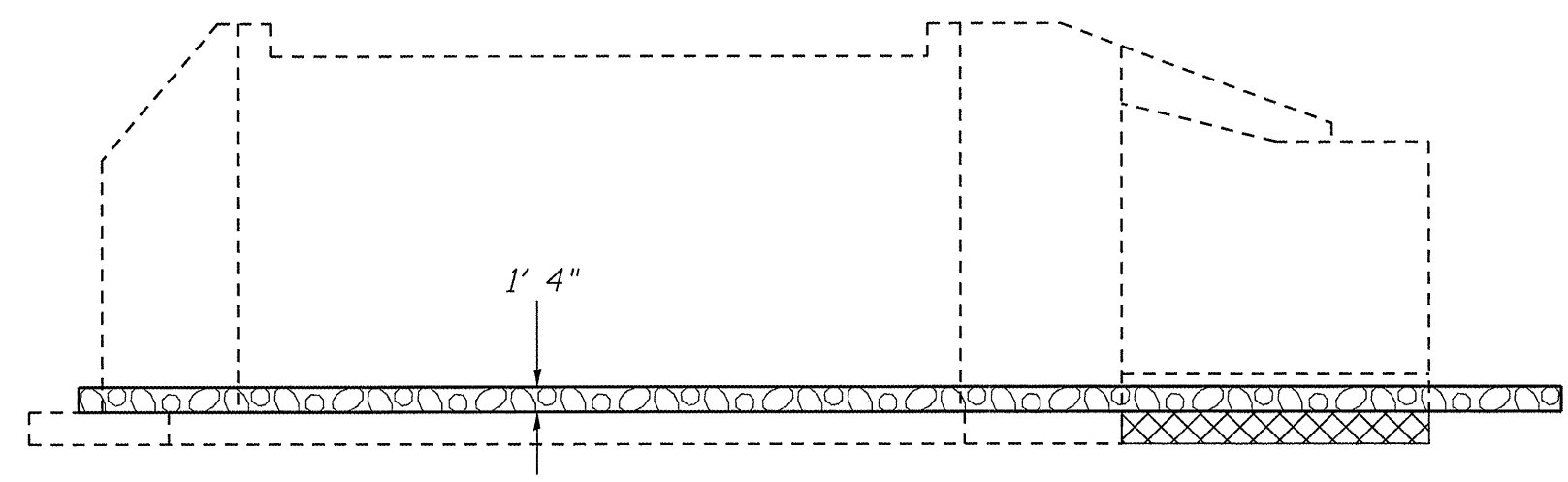


SOUTH ABUTMENT PLAN



BILL OF MATERIAL (086-0004)	
STONE RIPRAP, CLASS A3	70 SQ YD
RIPRAP SLURRY	70 SQ YD
GROUT REPAIR	1 L SUM



SOUTH ABUTMENT ELEVATION

NOTES:

ANY EXCAVATION AND/OR MATERIAL DISPOSAL REQUIRED FOR THE PLACEMENT OF THE RIPRAP SHALL BE INCLUDED IN THE CONTRACTOR'S BID PRICE FOR STONE RIPRAP, CLASS A3.

THE USE OF FILTER FABRIC AND BEDDING STONE WILL NOT BE REQUIRED.

THE RIPRAP AREAS TO BE SLURRIED SHALL BE DEWATERED BEFORE THE SLURRY IS APPLIED. THE CONTRACTOR SHALL INCLUDE THE COST OF DEWATERING IN THE BID PRICE FOR RIPRAP SLURRY.

086-0004 RIPRAP DETAIL
VARIOUS ROUTES
SECTION D 6 SCOUR MITIGATION
VARIOUS COUNTIES