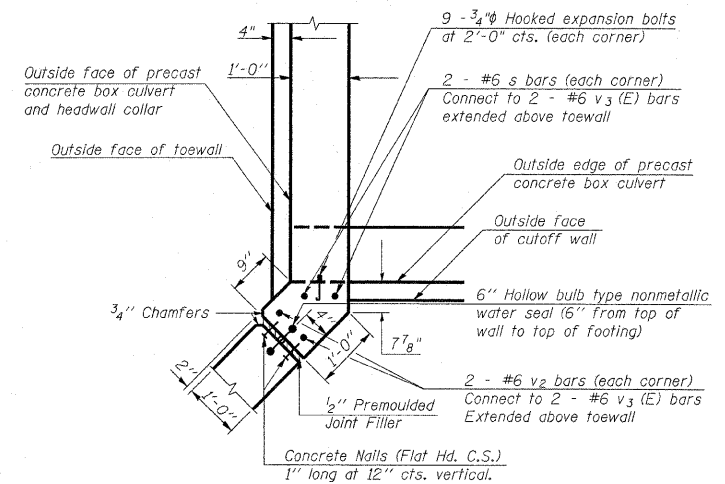
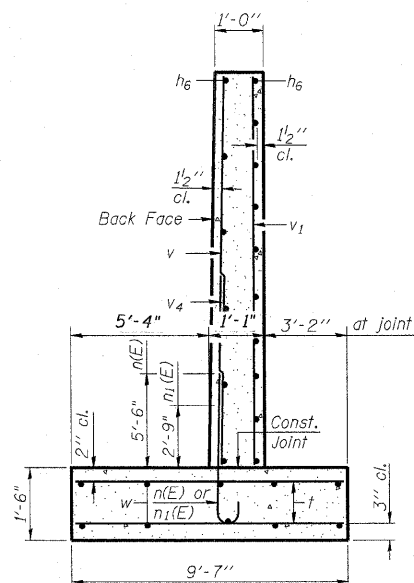


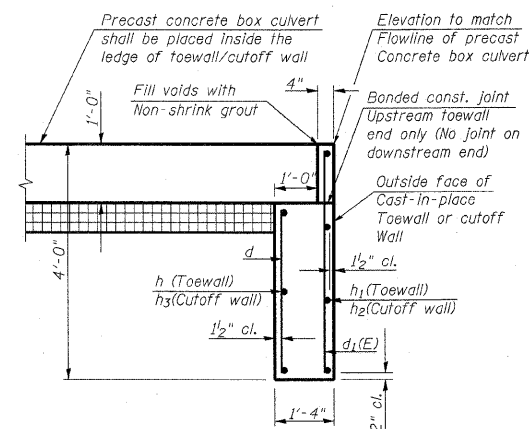
TOEWALL / CUTOFF WALL DETAIL WITH CORNER DIMENSIONS



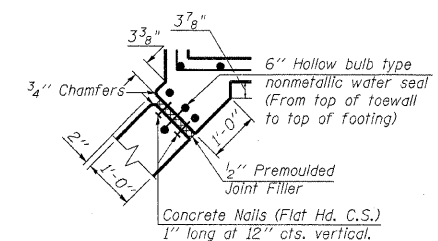
CAST-IN-PLACE CORNER DETAIL FOR HEADWALL COLLAR



SECTION A-A



SECTION B-B TOEWALL/CUTOFF WALL DETAIL ONLY
(SIDE WALL OF PRECAST BOX CULVERT NOT SHOWN)



CORNER DETAIL C

FILE NAME = c:\pw_work\pwidot\stefFennk\dms52291\07
4213-sht-culv.dgn
PLOT SCALE = 50.0000' / IN.
PLOT DATE = 3/19/2009

USER NAME = stefFennk
DESIGNED -
DRAWN -
CHECKED -
DATE -

REVISED -
REVISED -
REVISED -
REVISED -

STATE OF ILLINOIS
DEPARTMENT OF TRANSPORTATION

CULVERT DETAILS

SCALE: SHEET NO. OF SHEETS STA. TO STA.

F.A.P. RTE.	SECTION	COUNTY	TOTAL SHEETS	SHEET NO.
823	21B-1	Edwards	24	11
CONTRACT NO. 74213			ILLINOIS FED. AID PROJECT	