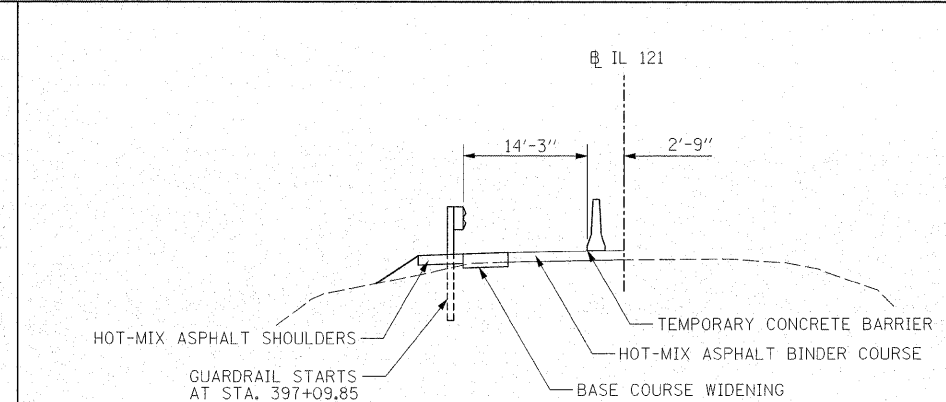
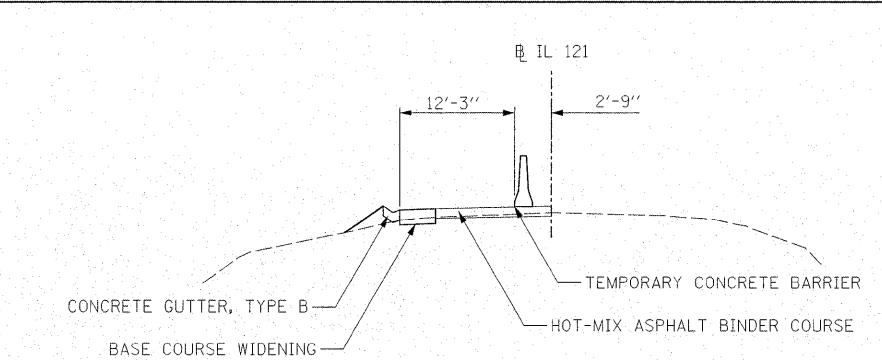


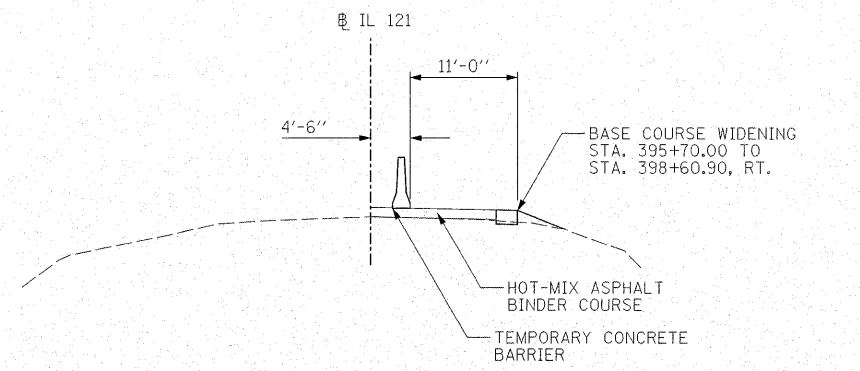
MULE CREEK  
STAGE I CONSTRUCTION-EAST END



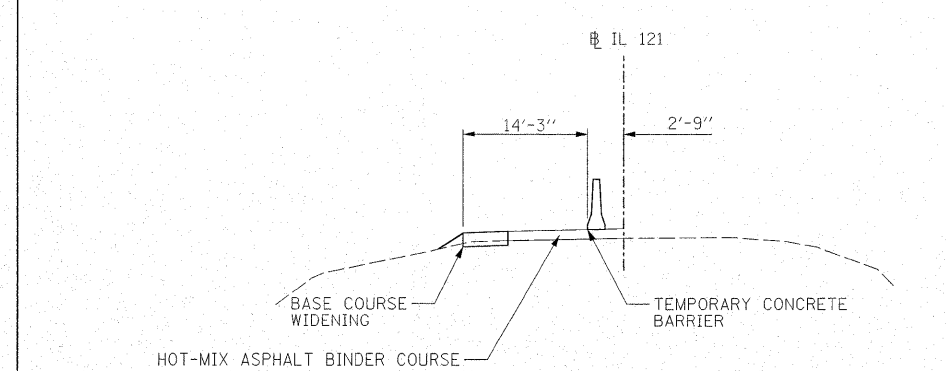
MULE CREEK  
STAGE II CONSTRUCTION-WEST END  
STA. 396+99.25 TO STA. 398+23.00



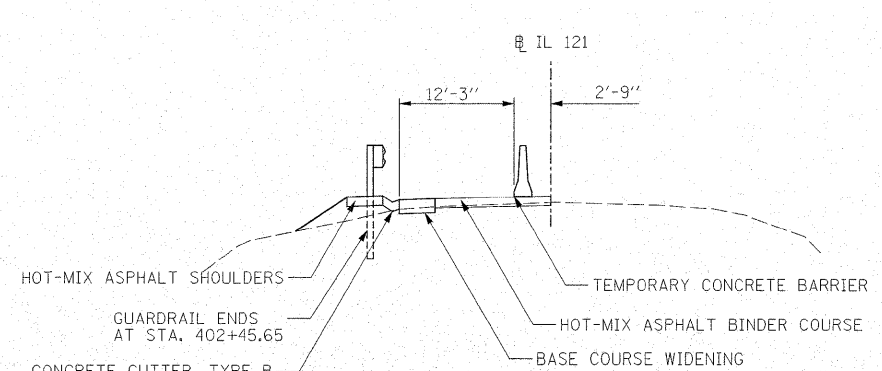
MULE CREEK  
STAGE II CONSTRUCTION-EAST END  
STA. 402+75.00 TO STA. 403+65.00



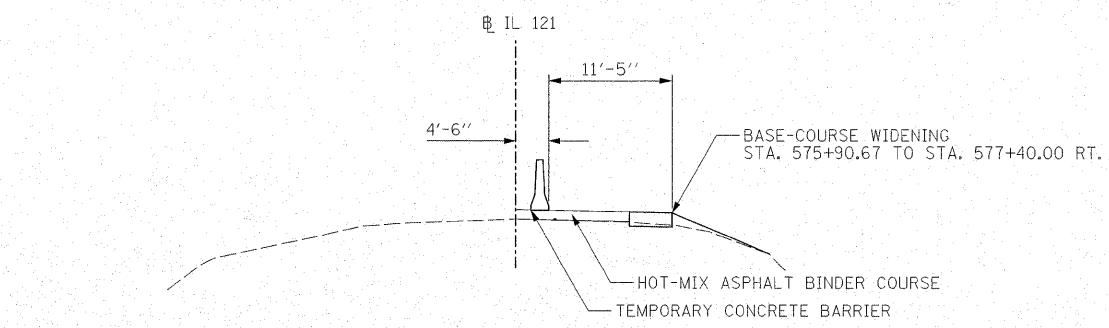
MULE CREEK  
STAGE I CONSTRUCTION-WEST END



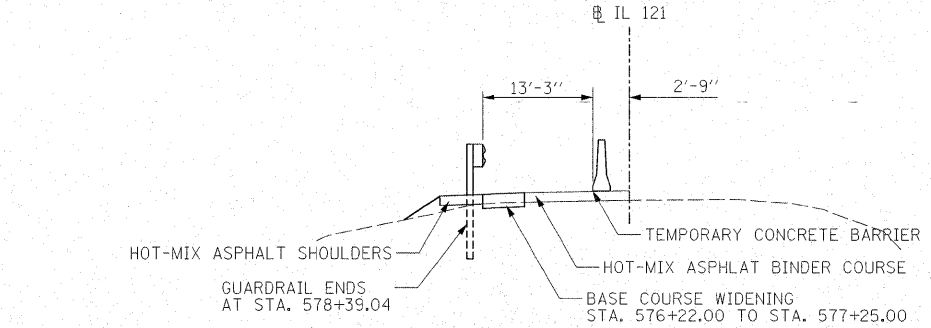
MULE CREEK  
STAGE II CONSTRUCTION-WEST END  
STA. 395+80.00 TO STA. 396+99.25



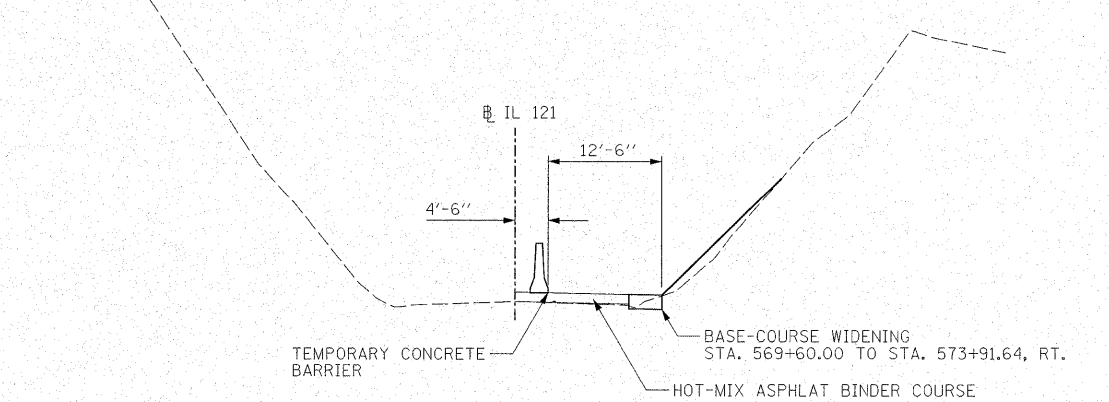
MULE CREEK  
STAGE II CONSTRUCTION-EAST END  
STA. 400+38.50 TO STA. 402+75.00



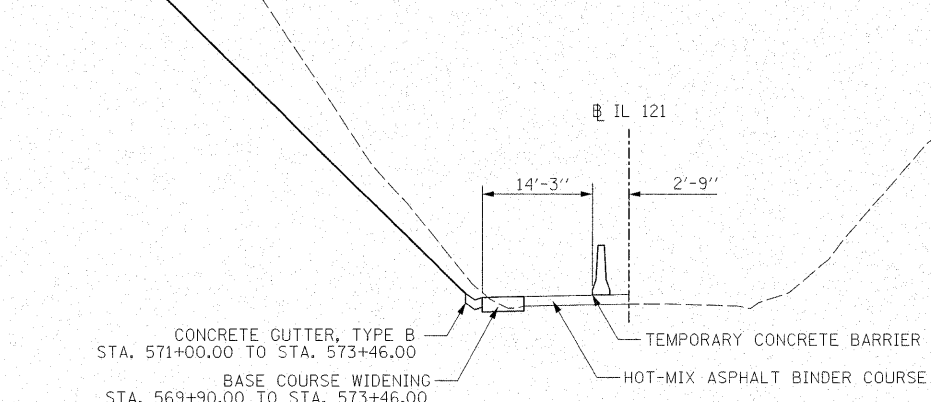
BIG MUDDY CREEK  
STAGE I CONSTRUCTION - EAST END



BIG MUDDY CREEK  
STAGE II CONSTRUCTION - EAST END



BIG MUDDY CREEK  
STAGE I CONSTRUCTION - WEST END



BIG MUDDY CREEK  
STAGE II CONSTRUCTION - WEST END

FILE NAME =	USER NAME = *USER*	DESIGNED - JDS 06/26/08	REVISED -	<b>STATE OF ILLINOIS DEPARTMENT OF TRANSPORTATION</b>	<b>IL 121 OVER MULE AND BIG MUDDY CREEK STAGING PLAN DETAILS</b>	F.A.P. RTE.	SECTION	COUNTY	TOTAL SHEETS	SHEET NO.	
*FILEL*		DRAWN - SEM 07/07/08	REVISED -			773	(108BR-3, 109BIB-1)	CUMBERLAND	96	29	
PLOT SCALE = *SCALE*		CHECKED - RJA 09/17/08	REVISED -			CONTRACT NO. 74237					
PLOT DATE = *DATE*		DATE - 09/26/08	REVISED -			FED. ROAD DIST. NO. ILLINOIS FED. AID PROJECT					
					SCALE:	SHEET NO.	OF	SHEETS	STA.	TO STA.	