

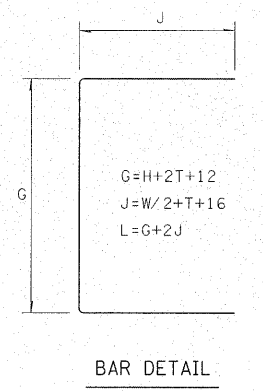
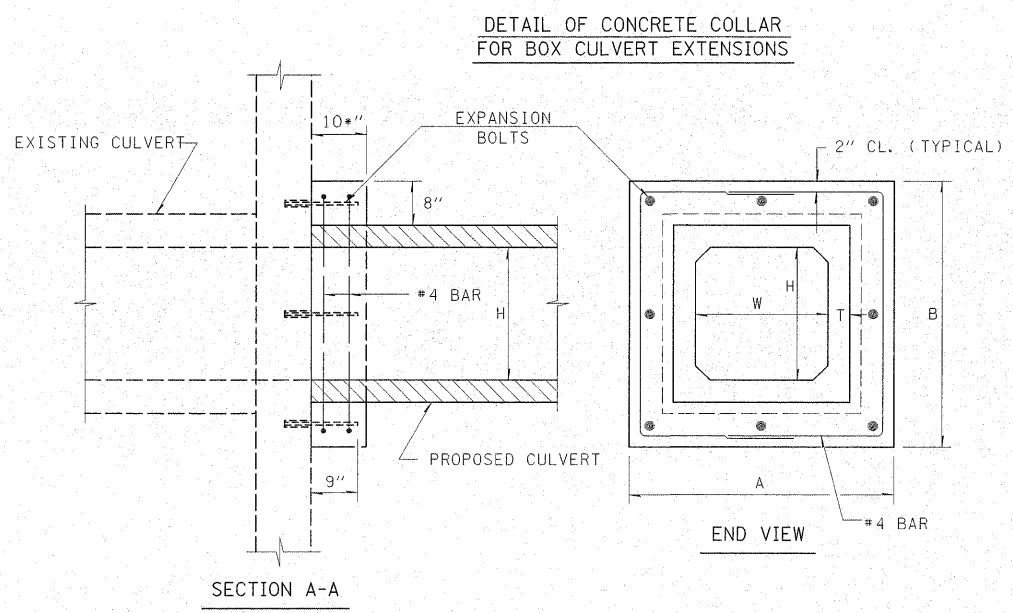
1 2 3 4 5 6 7 8 9
 10 11 12 13 14 15 16 17 18
 19 20 21 22 23 24 25 26
 27 28 29 30 31 32 33 34
 35 36 37 38 39 40 41
 42 43 44 45 46 47 48 49 50
 51 52 53 54 55 56 57 58 59 60
 61 62 63

\$\$\$DATE\$\$\$
 DCN-SPEC
 INO REV: 05-03-96
 E C C D

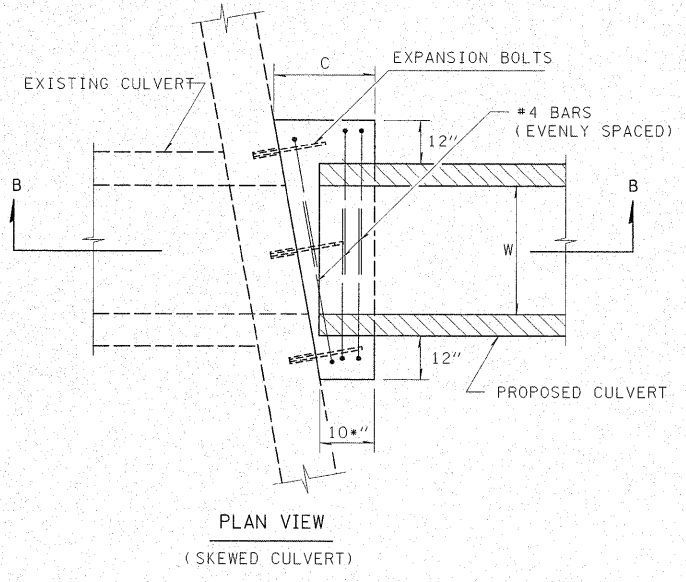
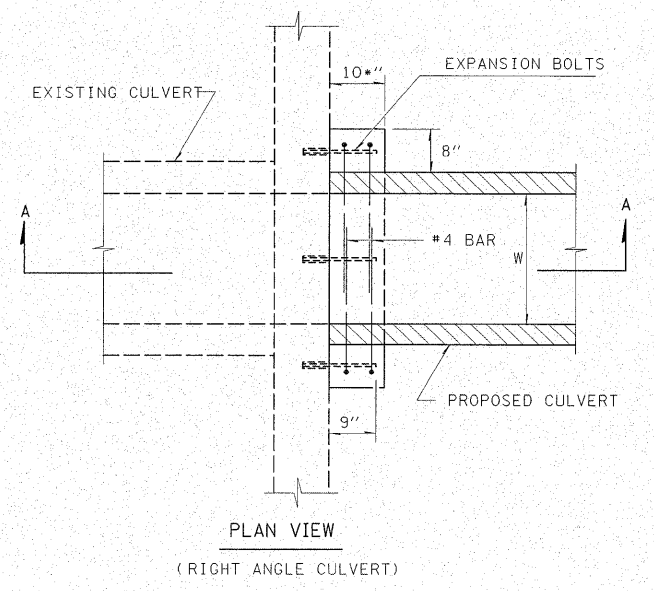
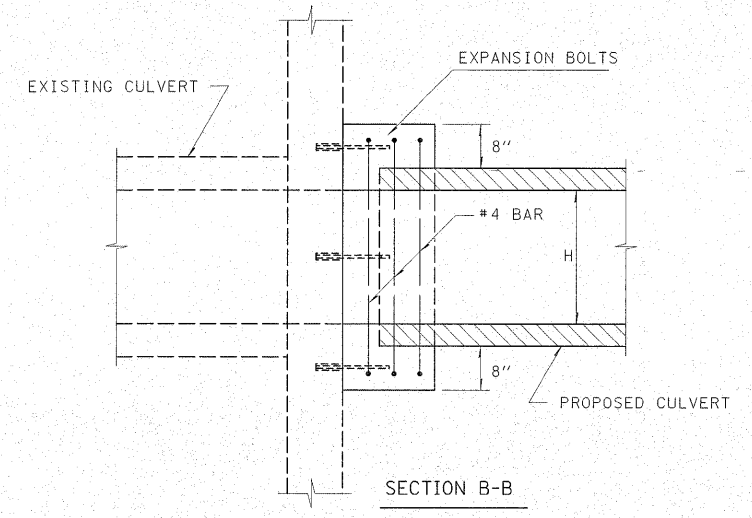
DCN-SPEC
 DATE

SIDE	STATION	DIMENSIONS						REINFORCEMENT BARS					POUND
		A	B	C	W	H	T	G	J	L	NUMBER BARS	EA	
LT	569+53	110	60	102	36	36	4	56	68	192	8	86	
RT	570+09	95	60	75	36	36	4	56	62	180	7	70	

CONTRACT NO. 74237				
F.A. RTE.	SECTION	COUNTY	TOTAL SHEETS	SHEET NO.
773	(108BR-3, 109BR-1)	CUMBERLAND	96	35
STA.	TO STA.			
FED. ROAD DIST. NO.	ILLINOIS	FED. AID PROJECT		



NOTE: EXPANSION BOLTS SHALL CONSIST OF SELF-DRILLING EXPANSION SHIELDS AND HOOKED BOLTS. HOOKED BOLTS SHALL EXTEND A MINIMUM OF 9" INTO THE NEW CONCRETE.



REVISIONS	
NAME	DATE

ILLINOIS DEPARTMENT OF TRANSPORTATION
CONCRETE COLLAR DETAIL FOR BOX CULVERT EXTENSIONS

SCALE: VERT. HORIZ.
 DATE ISSUED: 05-03-96
 DRAWN BY CHECKED BY