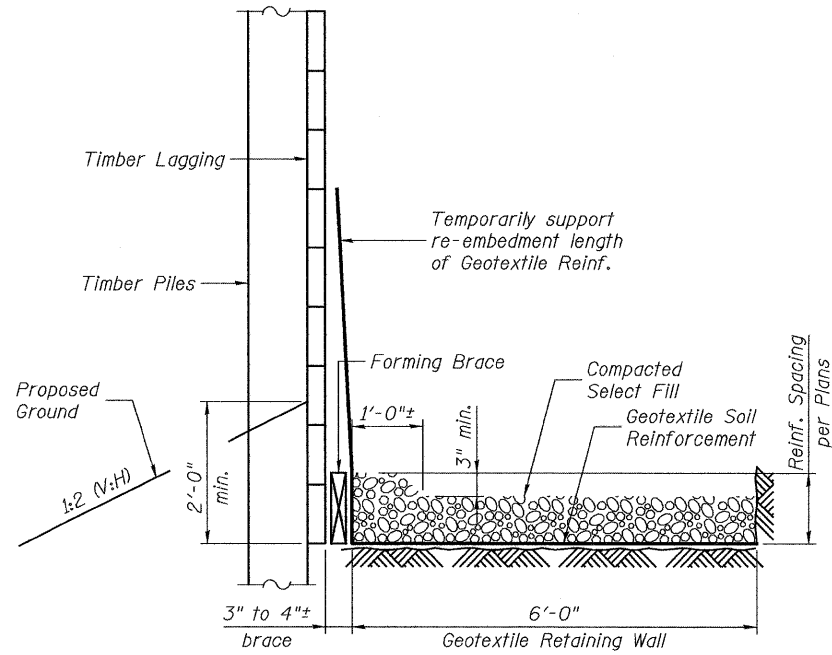
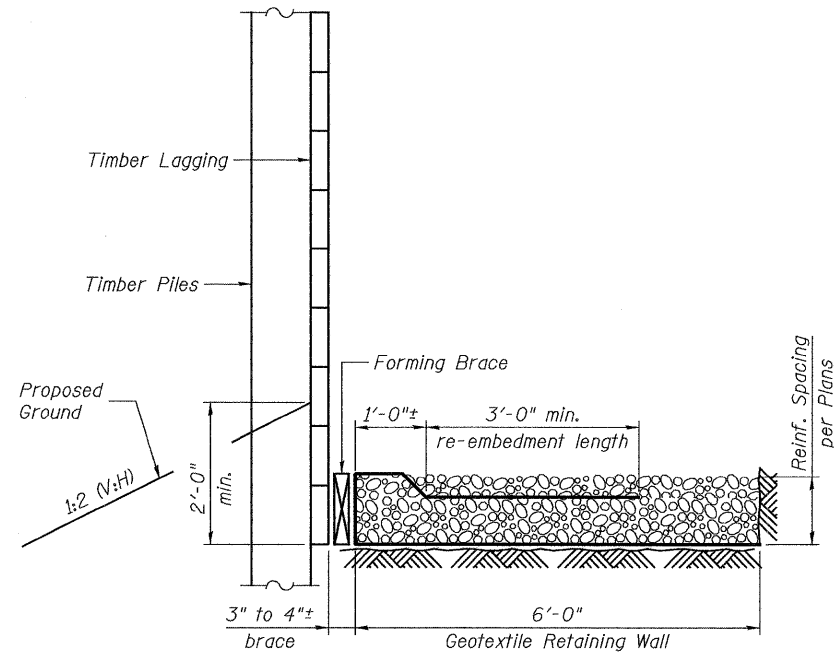


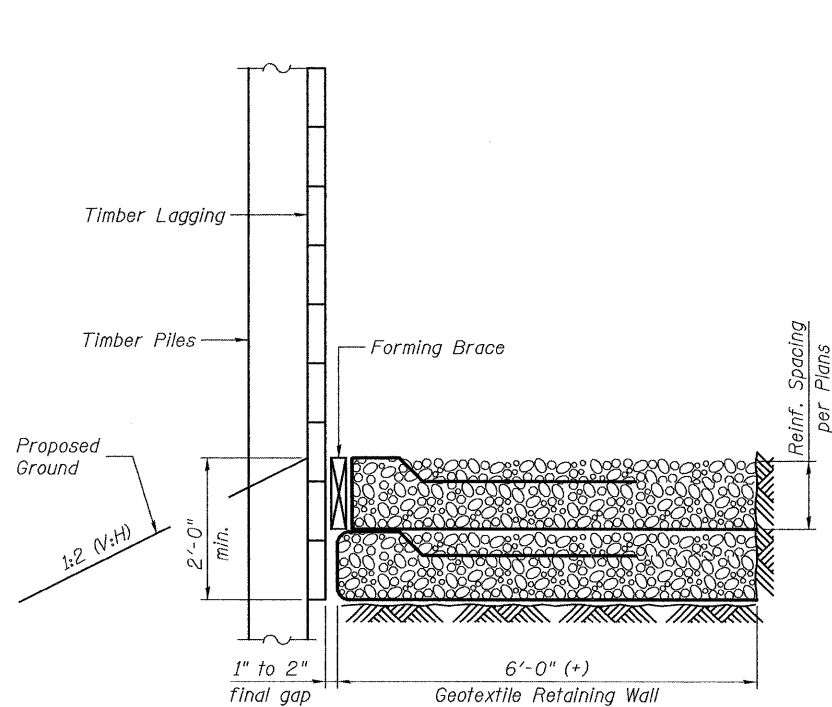
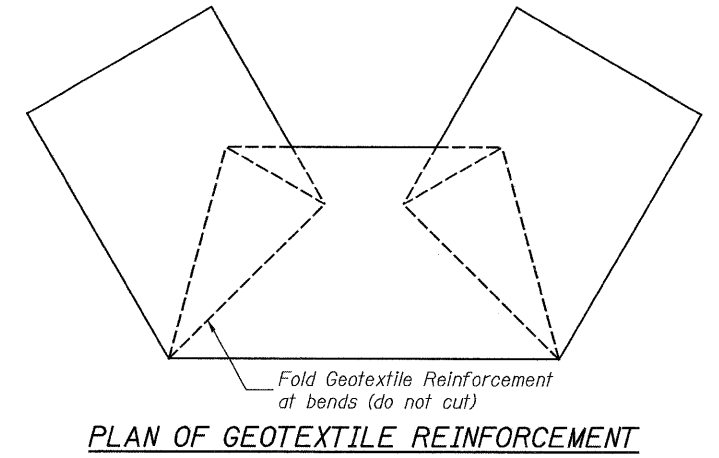
STATE OF ILLINOIS
DEPARTMENT OF TRANSPORTATION



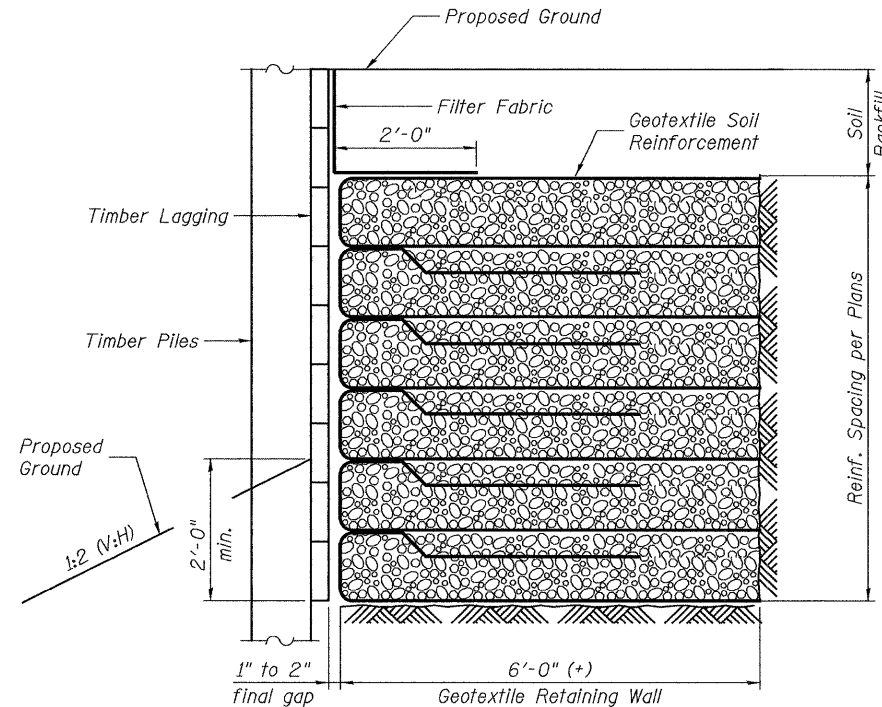
1. Place Forming Brace against timber lagging.
2. Place Geotextile Reinforcement tightly over prepared base. Temporarily support the re-embedment length.
3. Place compacted select fill on reinforcement.



4. Fold re-embedment length tightly over compacted fill.
5. Place compacted select fill over re-embedment length to complete layer.



6. Pull Forming Brace up to begin next layer. Check that a gap of 1-2" remains after bulging/sagging of the previous layer. If necessary, adjust the Forming Brace thickness to ensure this gap for each layer.
7. Repeat previous steps for successive layers.



8. For top layer of reinforced fill, the geotextile reinforcement should be folded over the full width as shown.
9. Place filter fabric and soil backfill to the proposed grade.

Note:
The geotextile soil reinforcement shall have a minimum allowable tensile strength (T min.) of 30 lb./in. as determined by the procedure described in the Special Provision. The computations supporting the determination of (T min.) shall be submitted to the engineer for approval.

GEOTEXTILE WALL CONSTRUCTION SEQUENCE

GEOTEXTILE RETAINING WALL
THOMPSON MILL COVERED BRIDGE OVER
KASKASKIA RIVER
STRUCTURE NO. 087-0019



DESIGNED: JDQ	DRAWN: SJS/PTR
CHECKED: DCD	CHECKED: DCD

SHEET 6 OF 12	T.R. RTE.	SECTION	COUNTY	TOTAL SHEETS	SHEET NO.
	389A	D-7 Bridge Appr. 2009-1	SHELBY	14	8
	STA. 50+00		CONTRACT NO. 74337		
FED. ROAD DIST. NO.		ILLINOIS FED. AID PROJECT			

FILE: J:\JDQ\010611L-D7VW4 Thompson Mill Covered Bridge\1-ThompsonMill\06-retainwall.dgn
USER: DCD
DATE: 02/04/2009 16:38:51