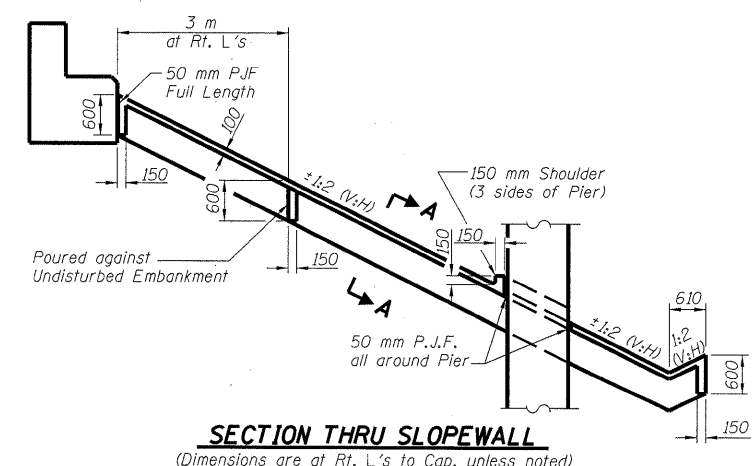
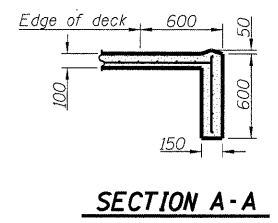
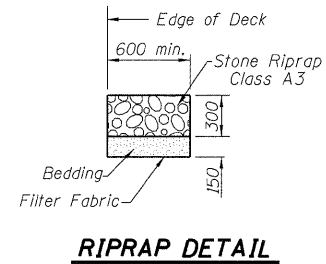
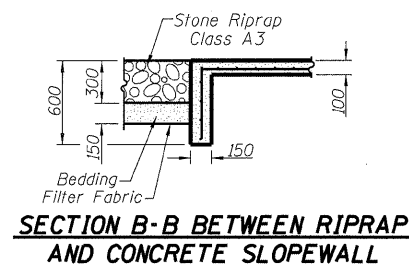


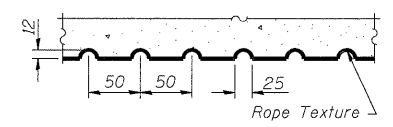
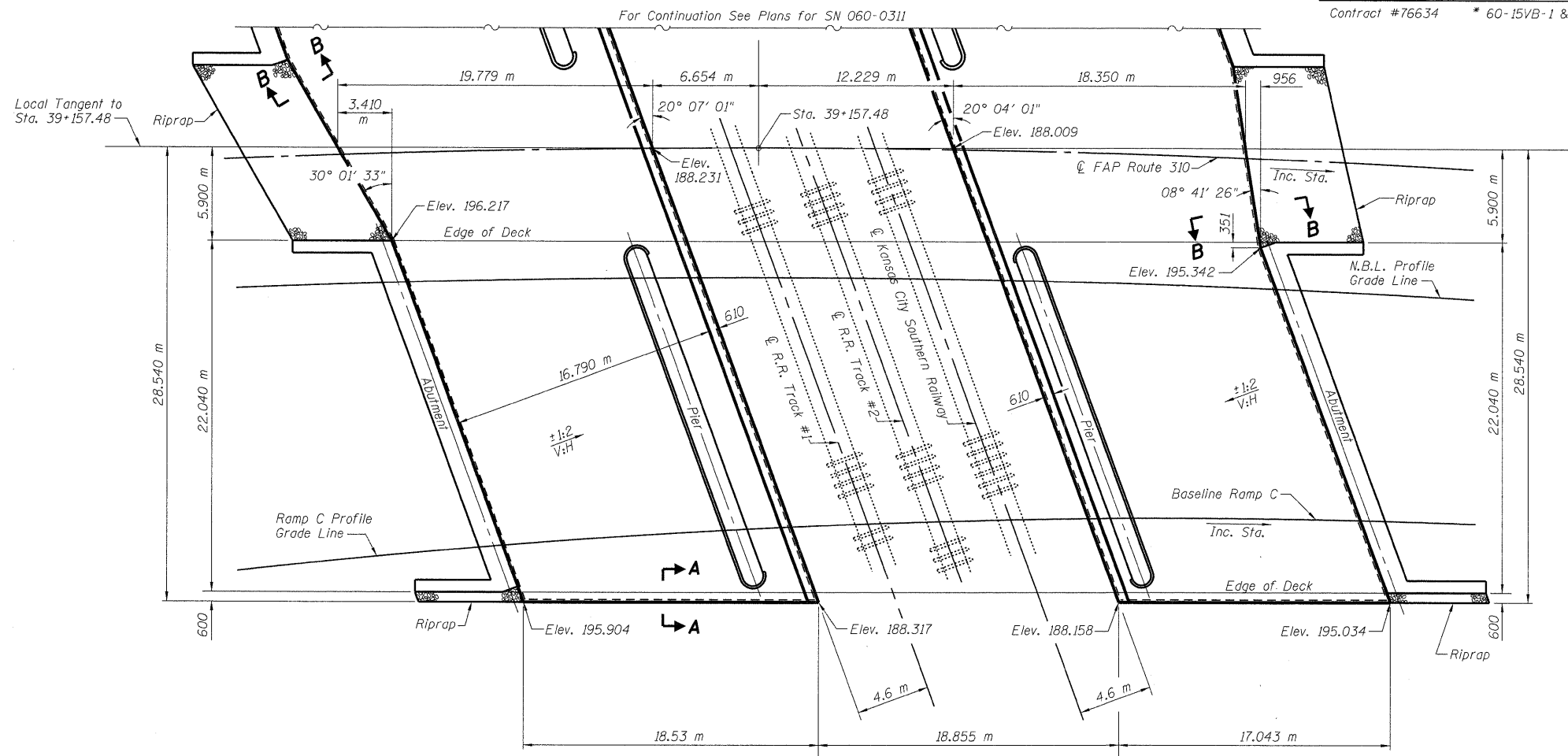
10:27:31 AM
 5/7/2009
 p:\001\les\000024\ar\1-road\br-dge\SN060-0310 Plans\060-0310B1&2.dgn

ROUTE NO.	SECTION	COUNTY	TOTAL SHEETS	SHEET NO.	SHEET NO. 4
S. B. L.		MADISON	149	35	36 SHEETS
F. A. P. 310					
FED. ROAD DIST. NO. 7	ILLINOIS	FED. AID PROJECT			

Contract #76634 * 60-15VB-1 & 2



DESIGNED	ADL
CHECKED	WLW
DRAWN	RLW/ADL
CHECKED	WLW



Note:
Rope Texture Concrete surfaces will be billed as "Form Liner Textured Surface".

ROPE TEXTURE CONCRETE DETAIL
The use of reverse image polyvinyl plastic sheets (form liners) attached to concrete forms, will produce the textured surfaces as depicted.

BILL OF MATERIAL

Item	Unit	Quantity
Sloewall 100 mm	m ²	1,081

SLOEWALL AND CONCRETE TEXTURE DETAILS
FAP RTE 310 (IL RTE 255) NB & RAMP C OVER
UNION PACIFIC & KANSAS CITY SOUTHERN R.R.
SECTION 60-15VB-1 & 2
MADISON COUNTY
STATION 39+160.297
STRUCTURE NUMBER 060-0310