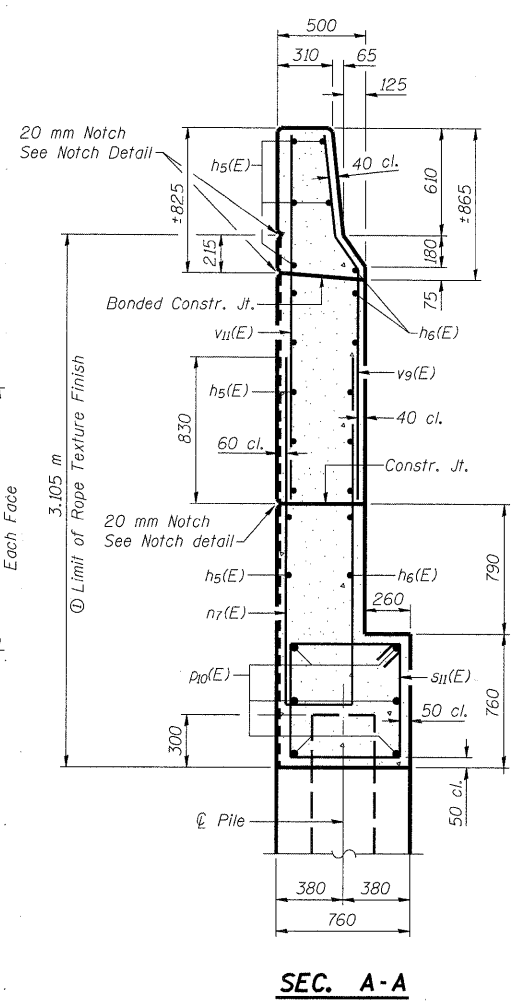
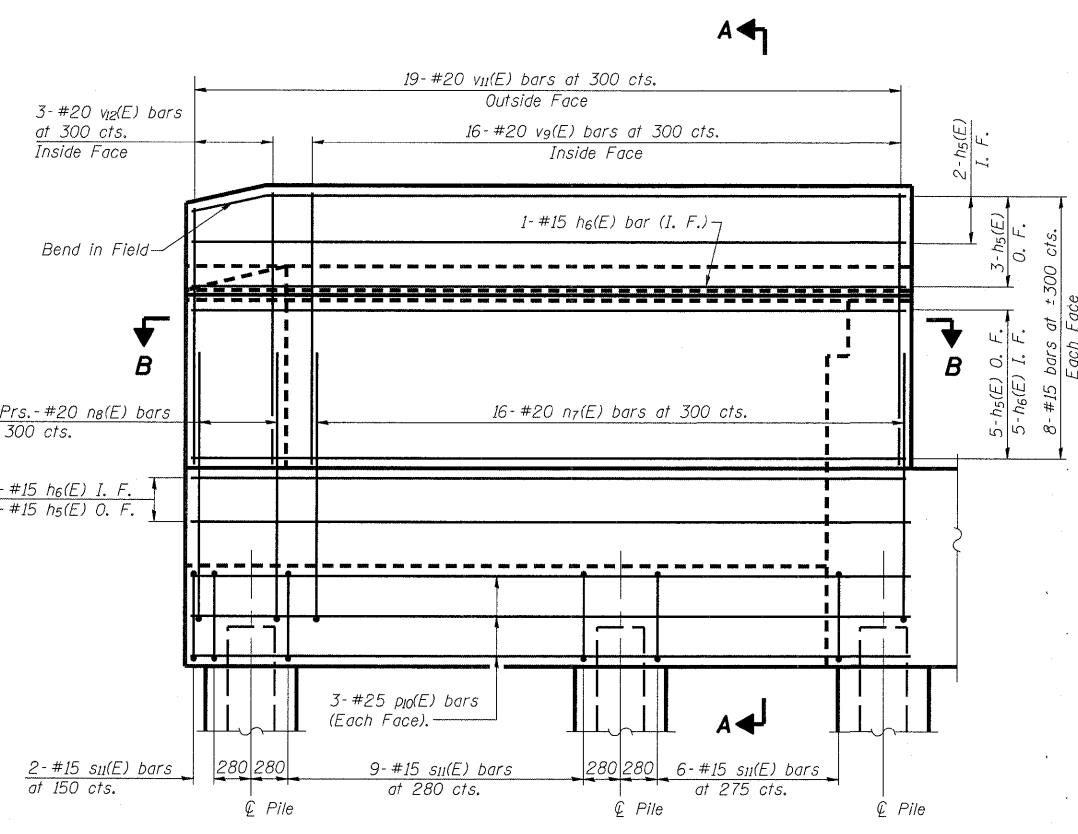
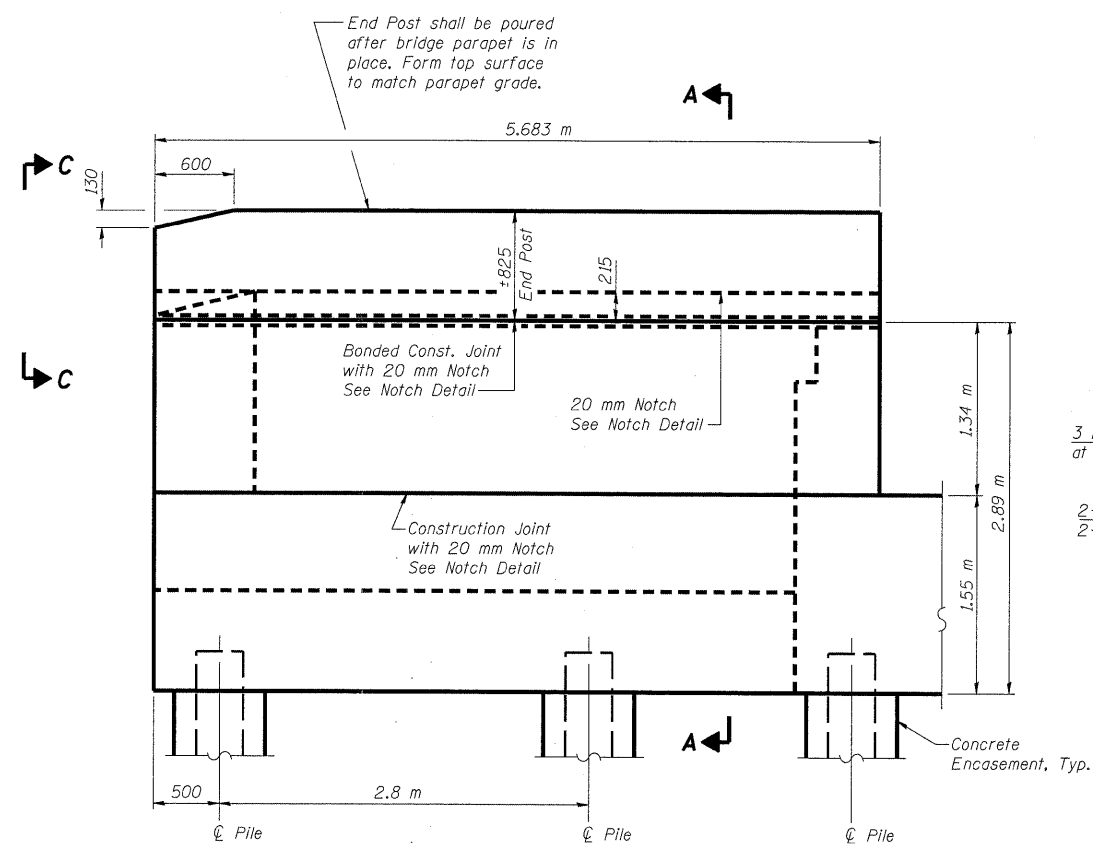
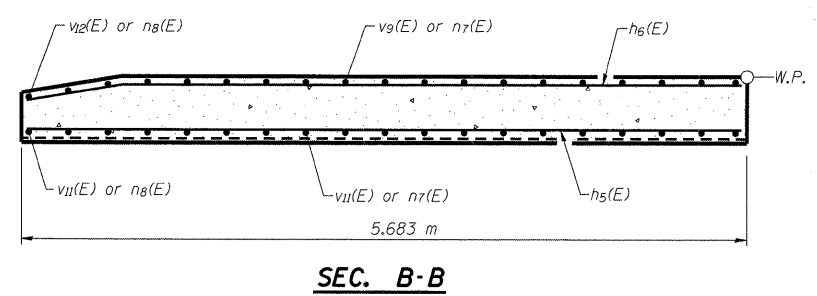
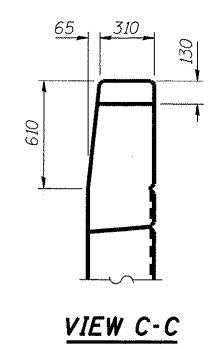
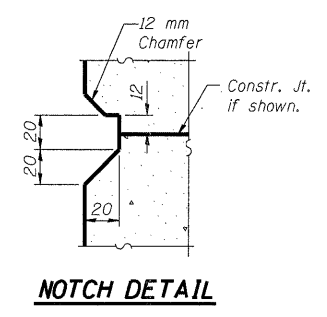


10:40:11 AM  
 p:\00f\les\000024\vfRailroad-Bridge\SI060-0310\Plans\060-0310\WestAbutment.dgn

ROUTE NO.	SECTION	COUNTY	SHEETS	SHEET NO.
P.A.P. 310	*	MADISON	149	57
FED. ROAD DIST. NO. 7		SULPHUR		FED. AID PROJECT:
Contract #76634		* 60-15VB-1 & 2		

SHEET NO. 26  
36 SHEETS



⊙ Patterned Rope Texture Concrete  
(See Sheet #4 of 36 for details)

DESIGNED	ADL
CHECKED	WLW
DRAWN	RLW/ADL
CHECKED	WLW

Note:  
Work this sheet with sheets #24, 25 & 27 of 36.  
Quantity of concrete in end post included with Concrete Superstructure on sheet #14 of 36.

**WEST ABUTMENT DETAILS**  
**FAP RTE. 310 (IL RTE. 255) NB & RAMP C OVER**  
**UNION PACIFIC & KANSAS CITY SOUTHERN R.R.**  
**SECTION 60-15VB-1 & 2**  
**MADISON COUNTY**  
**STATION 39+160.297**  
**STRUCTURE NUMBER 060-0310**

Klingner & Assoc., P.C.