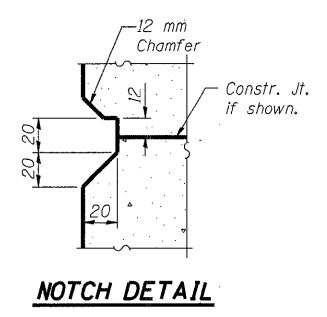
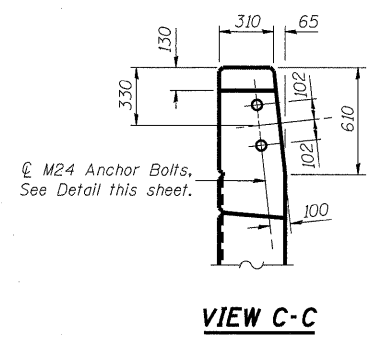


10:40:23 AM
 P:\00F:\ees\000024\offa\road-bridge\SN060-0310\Westabutment.dgn

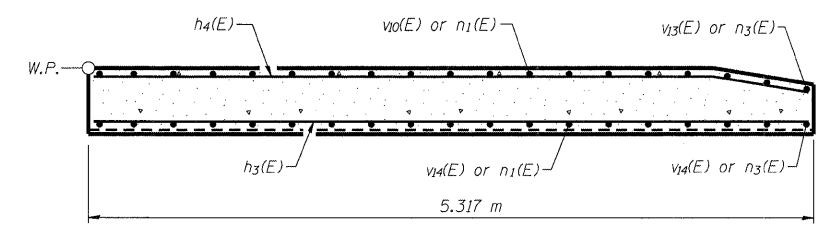
ROUTE NO.	SECTION	COUNTY	SHEET	SHEET	SHEET NO. 27
F.A.P. 310	*	MADISON	149	58	36 SHEETS
FED. ROAD DIST. NO. 7	ILLINOIS	FED. AID PROJECT-	Contract #76634 * 60-15VB-1 & 2		



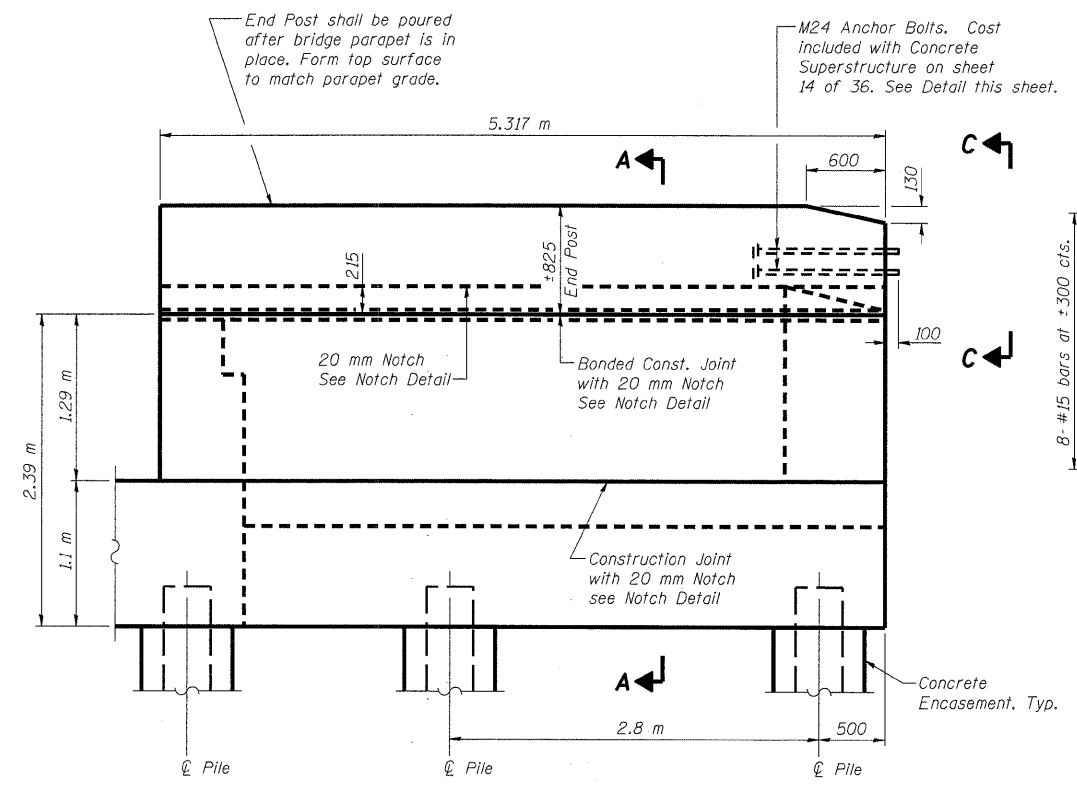
NOTCH DETAIL



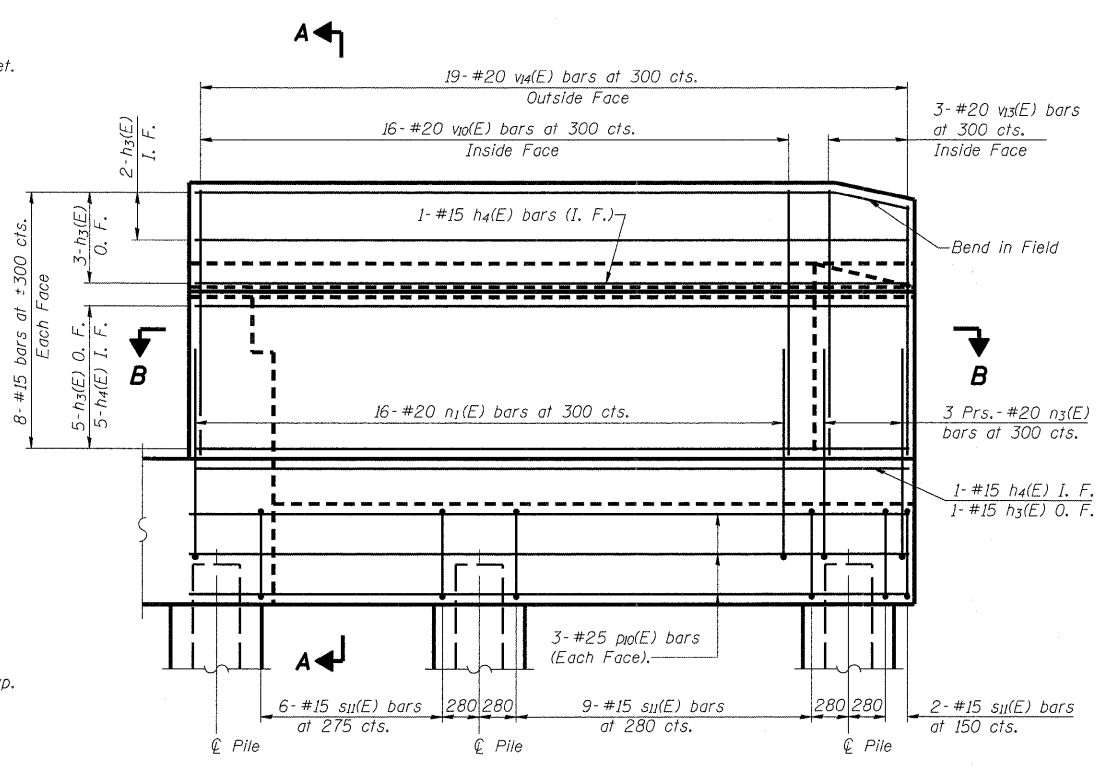
VIEW C-C



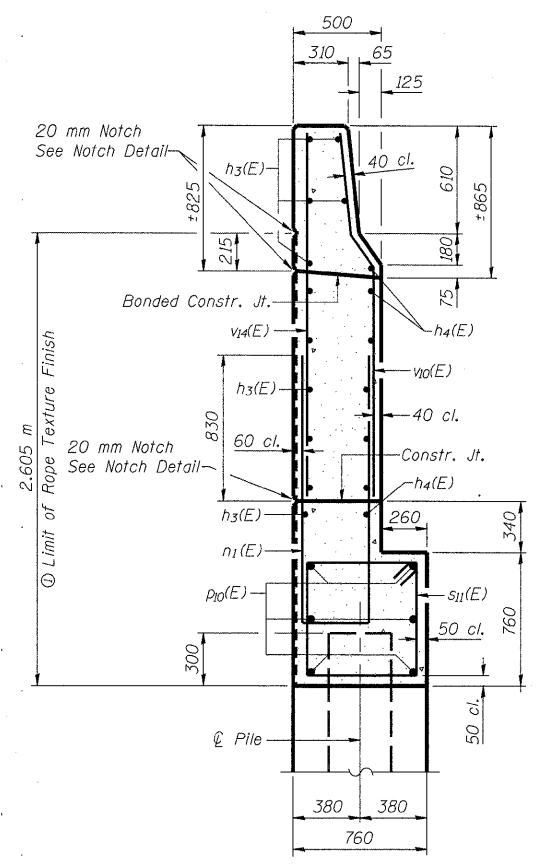
SEC. B-B



NORTH WING WALL ELEVATION
(Looking South)
Showing Dimensions

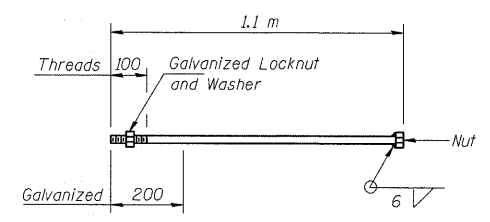


NORTH WING WALL ELEVATION
(Looking South)
Showing Reinforcement



SEC. A-A

⊙ Patterned Rope Texture Concrete
(See Sheet #4 of 36 for details)



M24 ANCHOR BOLT

Note:
Work this sheet with sheets #24, 25 & 26 of 36.
Quantity of concrete in end post included with Concrete Superstructure on sheet #14 of 36.

DESIGNED	ADL
CHECKED	WLW
DRAWN	RLW/ADL
CHECKED	WLW

WEST ABUTMENT DETAILS
FAP RTE. 310 (IL RTE. 255) NB & RAMP C OVER
UNION PACIFIC & KANSAS CITY SOUTHERN R.R.
SECTION 60-15VB-1 & 2
MADISON COUNTY
STATION 39+160.297
STRUCTURE NUMBER 060-0310

Klingner & Assoc., P.C.