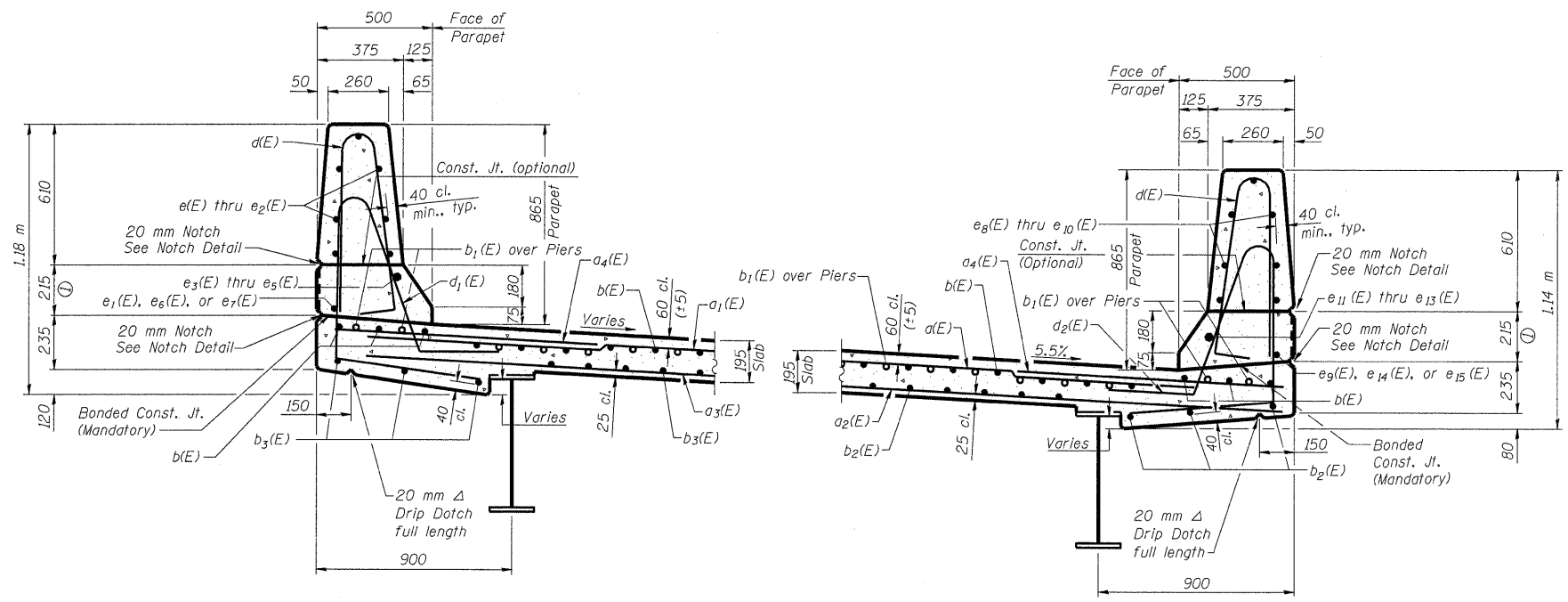


10:57:22 AM

p:\2001\les\000024\cfr\Railroad-Bridge\SN060-0311\Plans\060-0311\superstructures.dgn

ROUTE NO.	SECTION	COUNTY	TOTAL SHEETS	SHEET	SHEET NO.
R.A.P. 310	*	MADISON	149	83	45 SHEETS
FED. ROAD DIST. NO. 7		MILEAGE	FED. AID PROJECT		

Contract #76634
*60-15VB-1 & 2



SECTION THRU SOUTH PARAPET

① Patterned Rope Texture Concrete. See Sheet #4 of 45 for details.

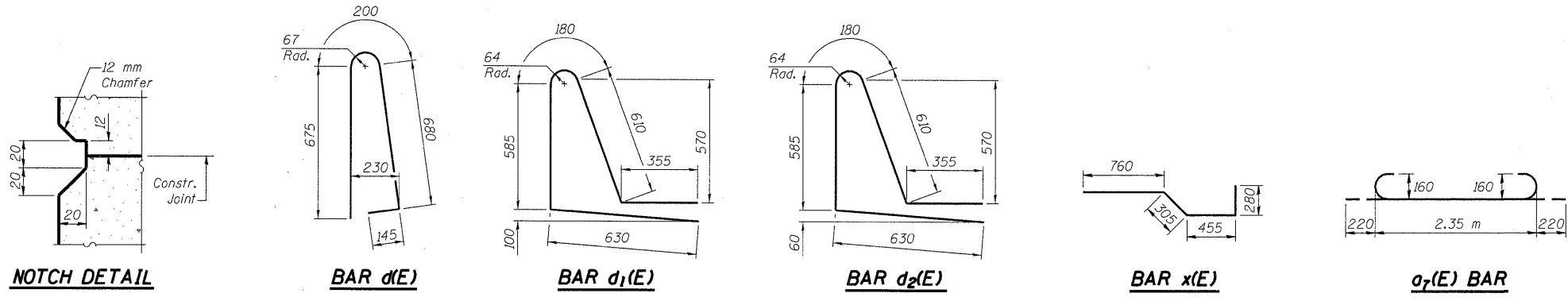
SECTION THRU NORTH PARAPET

① Patterned Rope Texture Concrete. See Sheet #4 of 45 for details.

SUPERSTRUCTURE BILL OF MATERIAL

Bar	No.	Size	Length (m)	Shape
a(E)	434	#15	10.90	—
a ₁ (E)	425	#15	13.70	—
a ₂ (E)	310	#15	13.90	—
a ₃ (E)	303	#15	10.70	—
a ₄ (E)	417	#20	1.80	—
a ₅ (E)	2	#20	13.65	—
a ₆ (E)	12	#25	9.72	—
a ₇ (E)	54	#20	2.79	—
a ₈ (E)	2	#20	9.63	—
a ₉ (E)	12	#25	7.04	—
b(E)	593	#15	9.72	—
b ₁ (E)	168	#20	13.80	—
b ₂ (E)	306	#15	10.70	—
b ₃ (E)	146	#15	11.23	—
d(E)	457	#15	1.70	—
d ₁ (E)	234	#15	2.36	—
d ₂ (E)	223	#15	2.36	—
e(E)	42	#15	5.28	—
e ₁ (E)	32	#15	3.00	—
e ₂ (E)	28	#15	4.77	—
e ₃ (E)	4	#25	8.68	—
e ₄ (E)	4	#25	3.00	—
e ₅ (E)	2	#25	10.35	—
e ₆ (E)	4	#15	8.34	—
e ₇ (E)	3	#15	6.89	—
e ₈ (E)	42	#15	5.00	—
e ₉ (E)	32	#15	2.90	—
e ₁₀ (E)	28	#15	4.50	—
e ₁₁ (E)	4	#25	8.25	—
e ₁₂ (E)	4	#25	2.90	—
e ₁₃ (E)	2	#25	9.81	—
e ₁₄ (E)	4	#15	7.90	—
e ₁₅ (E)	3	#15	6.53	—
x(E)	128	#15	1.80	—
Reinforcement Bars, Epoxy Coated	kg		59,010	
Concrete Superstructure	m ³		324.3	
Bridge Deck Grooving	m ²		1,240	
Protective Coat	m ²		1,402	
Form Liner Textured Surface	m ²		27	

Bars indicated thus 1 x 2 - #15 etc. indicates 1 line of bars with 2 lengths per line.



DESIGNED	ADL
CHECKED	WLW
DRAWN	KTH
CHECKED	WLW

SUPERSTRUCTURE DETAILS
FAP RTE. 310 (IL RTE. 255) SB & RAMP D OVER
UNION PACIFIC & KANSAS CITY SOUTHERN R.R.
SECTION 60-15VB-1 & 2
MADISON COUNTY
STATION 39+160.297
STRUCTURE NUMBER 060-0311