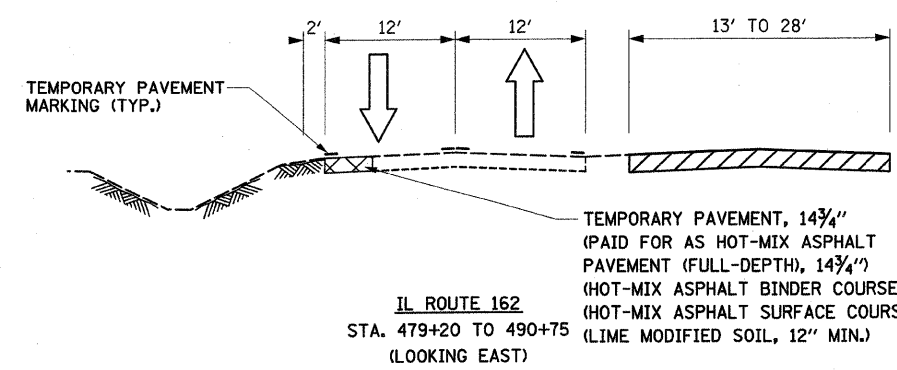
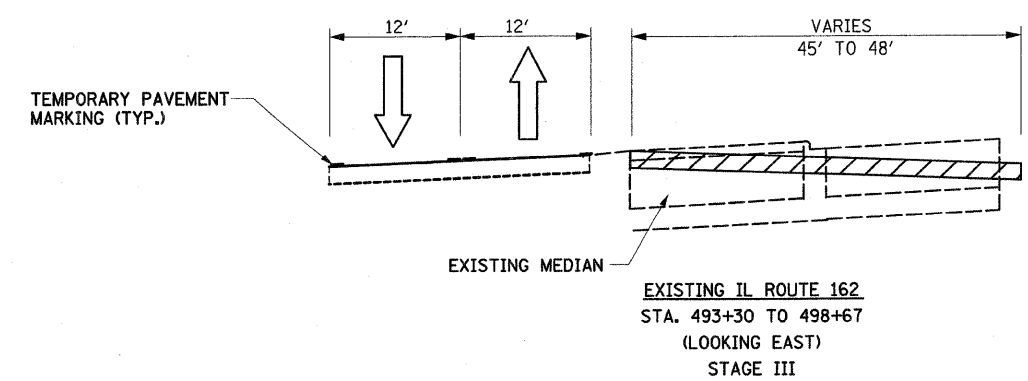


| FILE ROUTE          | SECTION | COUNTY           | TOTAL SHEETS | SHEET NO. |
|---------------------|---------|------------------|--------------|-----------|
| 70                  | *       | MADISON          | 420          | 64        |
| STA. 11+17.45       |         | TO STA. 51+37.00 |              |           |
| CONTRACT NO.: 76709 |         |                  |              |           |
| • 60-10K-1, 60-10HB |         |                  |              |           |

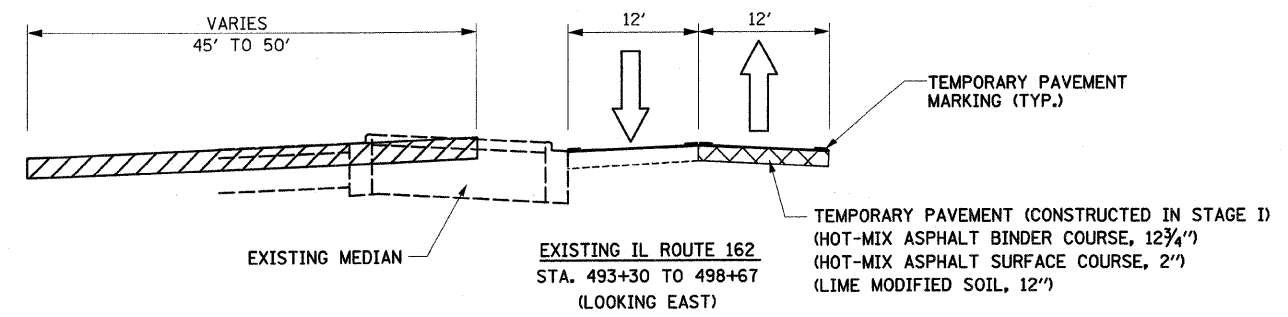


**IL ROUTE 162**  
 STA. 479+20 TO 490+75  
 (LOOKING EAST)

TEMPORARY PAVEMENT, 14 3/4"  
 (PAID FOR AS HOT-MIX ASPHALT  
 PAVEMENT (FULL-DEPTH), 14 3/4")  
 (HOT-MIX ASPHALT BINDER COURSE, 12 3/4")  
 (HOT-MIX ASPHALT SURFACE COURSE, 2")  
 (LIME MODIFIED SOIL, 12" MIN.)

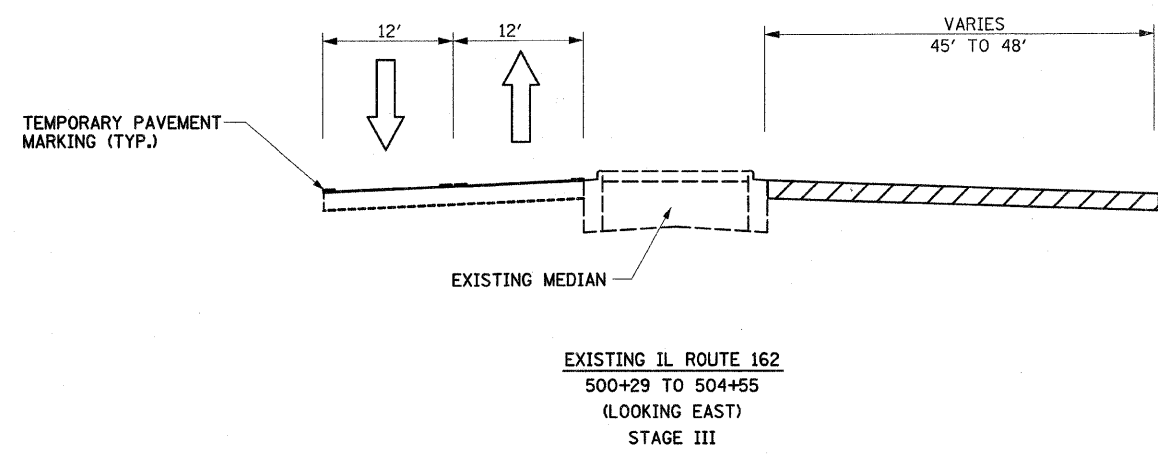


**EXISTING IL ROUTE 162**  
 STA. 493+30 TO 498+67  
 (LOOKING EAST)  
 STAGE III

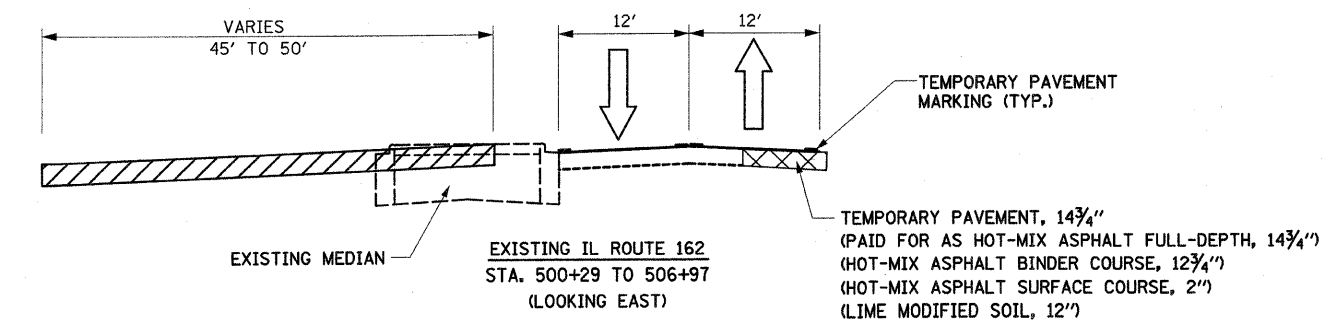


**EXISTING IL ROUTE 162**  
 STA. 493+30 TO 498+67  
 (LOOKING EAST)

TEMPORARY PAVEMENT (CONSTRUCTED IN STAGE I)  
 (HOT-MIX ASPHALT BINDER COURSE, 12 3/4")  
 (HOT-MIX ASPHALT SURFACE COURSE, 2")  
 (LIME MODIFIED SOIL, 12")



**EXISTING IL ROUTE 162**  
 500+29 TO 504+55  
 (LOOKING EAST)  
 STAGE III



**EXISTING IL ROUTE 162**  
 STA. 500+29 TO 506+97  
 (LOOKING EAST)

TEMPORARY PAVEMENT, 14 3/4"  
 (PAID FOR AS HOT-MIX ASPHALT FULL-DEPTH, 14 3/4")  
 (HOT-MIX ASPHALT BINDER COURSE, 12 3/4")  
 (HOT-MIX ASPHALT SURFACE COURSE, 2")  
 (LIME MODIFIED SOIL, 12")

|           |      |
|-----------|------|
| PLAN      | DATE |
| BY        |      |
| DESIGNED  |      |
| CHECKED   |      |
| IN CHARGE |      |
| DATE      |      |

| REVISIONS |      |
|-----------|------|
| NAME      | DATE |
|           |      |
|           |      |
|           |      |
|           |      |
|           |      |

ILLINOIS DEPARTMENT OF TRANSPORTATION  
**MAINTENANCE OF TRAFFIC - 3**  
**TYPICAL SECTIONS STAGE II & III**  
**IL ROUTE 162**

FAI ROUTE 70  
 SECTION 60-10K-1, 60-10HB  
 MADISON COUNTY

DRAWN BY: GRH

PLOT DATE: \*DATE-TIME\*

\*DIM-SPEC\*  
 \*REF-  
 \*REF-