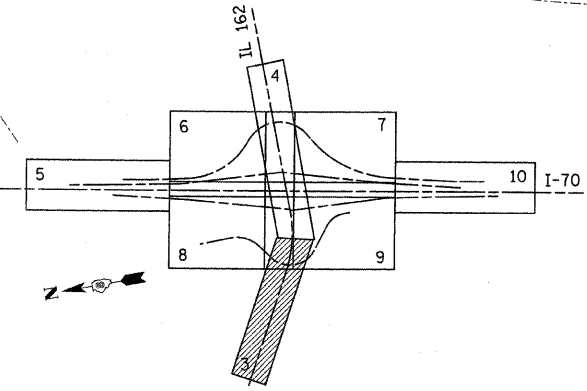
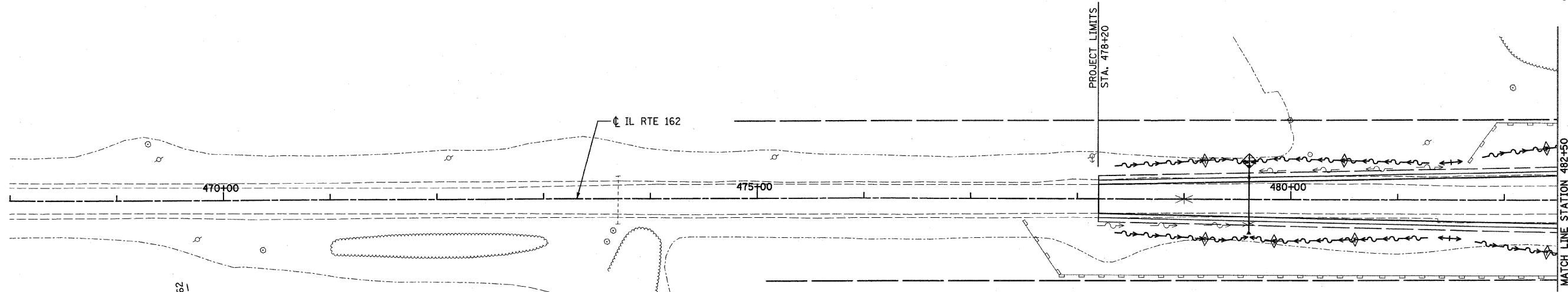
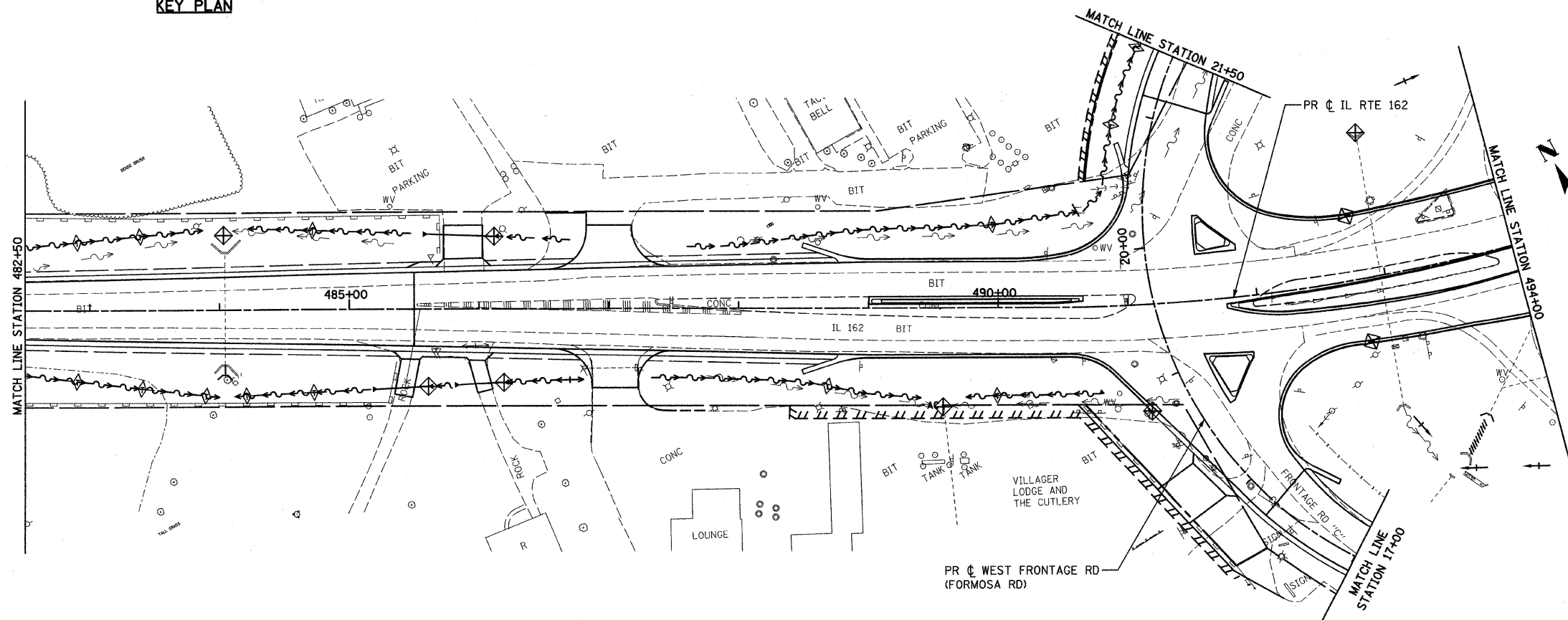


FAI ROUTE	SECTION	COUNTY	TOTAL SHEETS	SHEET NO
70		MADISON	420	96
STA. 478+20		TO STA. 494+00		
CONTRACT NO.: 76709				
• 60-10K-1, 60-10HB				

PLAN	SURVEYED	DATE
	PLOTTED	
	REVISIONS	
	NO. OF REVISIONS	
	REVISIONS CHECKED	
	CADD FILE NAME	



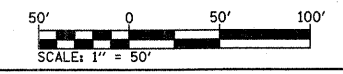
KEY PLAN



LEGEND

	TEMPORARY DITCH CHECK
	EROSION CONTROL BLANKET
	PERIMETER EROSION BARRIER
	INLET AND PIPE PROTECTION

- NOTES:**
1. FOR DRAINAGE INFORMATION, SEE DRAINAGE PLANS.
 2. PERIMETER EROSION BARRIER IS LOCATED ON TEMPORARY EASEMENT/PERMANENT EASEMENT/R.O.W. LINE, AS SHOWN ON THE PLANS.
 3. FOR PERMANENT EROSION CONTROL INFORMATION, SEE SEEDING PLANS.
 4. FOR EROSION CONTROL DURING STAGED CONSTRUCTION, SEE EROSION CONTROL AND TEMPORARY DRAINAGE PLAN.



ILLINOIS DEPARTMENT OF TRANSPORTATION
STORM WATER POLLUTION PREVENTION PLAN - 3

FAI ROUTE 70
 SECTION 60-10K-1, 60-10HB
 MADISON COUNTY

DRAWN BY: GRH

REVISIONS	
NAME	DATE

PLOT DATE: *DATE-TIME*

DON-SPEC
 *REF- 236001.dgn
 *REF- 236001.dgn
 *REF- 236001.dgn
 *REF- 236001.dgn
 *REF- 236001.dgn
 *REF- 236001.dgn