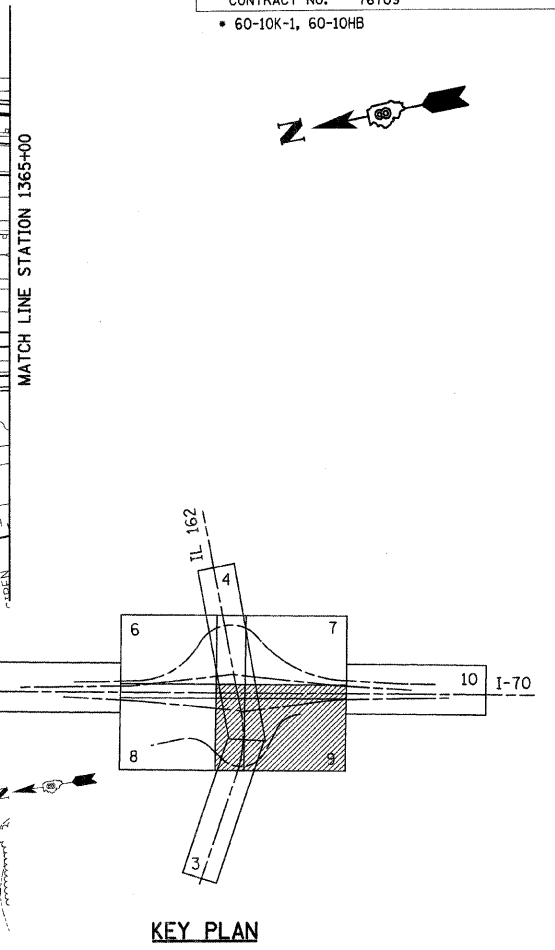
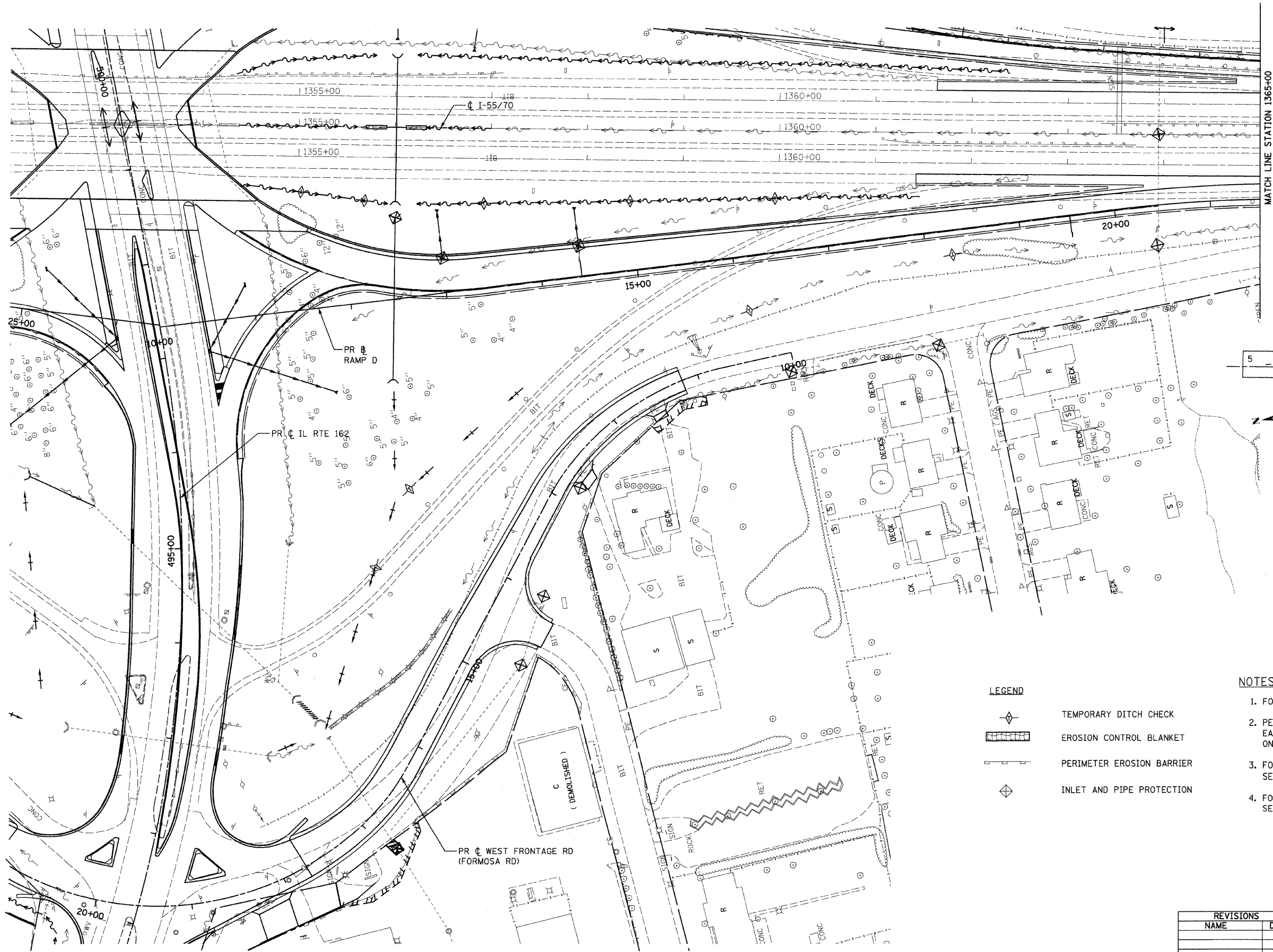


FAI ROUTE	SECTION	COUNTY	TOTAL SHEETS	SHEET NO
70		MADISON	420	102
STA. 1353+15.77		TO STA. 1365+00		
CONTRACT NO. 76709				
• 60-10K-1, 60-10HB				

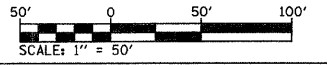
PLAN	SURVEYED	BY	DATE
	IN FIELD		
	CHECKED		
	IN OFFICE		
	NO. OF WAY CHECKED		
	NOTE BOOK NO.		
	ADD FILE NAME		



LEGEND

	TEMPORARY DITCH CHECK
	EROSION CONTROL BLANKET
	PERIMETER EROSION BARRIER
	INLET AND PIPE PROTECTION

- NOTES:**
1. FOR DRAINAGE INFORMATION, SEE DRAINAGE PLANS.
 2. PERIMETER EROSION BARRIER IS LOCATED ON TEMPORARY EASEMENT/PERMANENT EASEMENT/R.O.W. LINE, AS SHOWN ON THE PLANS.
 3. FOR PERMANENT EROSION CONTROL INFORMATION, SEE SEEDING PLANS.
 4. FOR EROSION CONTROL DURING STAGED CONSTRUCTION, SEE EROSION CONTROL AND TEMPORARY DRAINAGE PLAN.



REVISIONS	
NAME	DATE

ILLINOIS DEPARTMENT OF TRANSPORTATION
STORM WATER POLLUTION PREVENTION PLAN - 9

FAI ROUTE 70
 SECTION 60-10K-1, 60-10HB
 MADISON COUNTY

DRAWN BY: GRH
 PLOT DATE: *DATE-TIME*

DATE-TIME
 DRAWN BY
 *REF- 236c01.dgn
 *REF- 236c02.dgn
 *REF- 236c03.dgn
 *REF- 236c04.dgn
 *REF- 236c05.dgn
 *REF- 236c06.dgn
 *REF- 236c07.dgn
 *REF- 236c08.dgn
 *REF- 236c09.dgn
 *REF- 236c10.dgn
 *REF- 236c11.dgn
 *REF- 236c12.dgn
 *REF- 236c13.dgn
 *REF- 236c14.dgn
 *REF- 236c15.dgn
 *REF- 236c16.dgn
 *REF- 236c17.dgn
 *REF- 236c18.dgn
 *REF- 236c19.dgn
 *REF- 236c20.dgn
 *REF- 236c21.dgn
 *REF- 236c22.dgn
 *REF- 236c23.dgn
 *REF- 236c24.dgn
 *REF- 236c25.dgn
 *REF- 236c26.dgn
 *REF- 236c27.dgn
 *REF- 236c28.dgn
 *REF- 236c29.dgn
 *REF- 236c30.dgn
 *REF- 236c31.dgn
 *REF- 236c32.dgn
 *REF- 236c33.dgn
 *REF- 236c34.dgn
 *REF- 236c35.dgn
 *REF- 236c36.dgn
 *REF- 236c37.dgn
 *REF- 236c38.dgn
 *REF- 236c39.dgn
 *REF- 236c40.dgn
 *REF- 236c41.dgn
 *REF- 236c42.dgn
 *REF- 236c43.dgn
 *REF- 236c44.dgn
 *REF- 236c45.dgn
 *REF- 236c46.dgn
 *REF- 236c47.dgn
 *REF- 236c48.dgn
 *REF- 236c49.dgn
 *REF- 236c50.dgn
 *REF- 236c51.dgn
 *REF- 236c52.dgn
 *REF- 236c53.dgn
 *REF- 236c54.dgn
 *REF- 236c55.dgn
 *REF- 236c56.dgn
 *REF- 236c57.dgn
 *REF- 236c58.dgn
 *REF- 236c59.dgn
 *REF- 236c60.dgn
 *REF- 236c61.dgn
 *REF- 236c62.dgn
 *REF- 236c63.dgn
 *REF- 236c64.dgn
 *REF- 236c65.dgn
 *REF- 236c66.dgn
 *REF- 236c67.dgn
 *REF- 236c68.dgn
 *REF- 236c69.dgn
 *REF- 236c70.dgn
 *REF- 236c71.dgn
 *REF- 236c72.dgn
 *REF- 236c73.dgn
 *REF- 236c74.dgn
 *REF- 236c75.dgn
 *REF- 236c76.dgn
 *REF- 236c77.dgn
 *REF- 236c78.dgn
 *REF- 236c79.dgn
 *REF- 236c80.dgn
 *REF- 236c81.dgn
 *REF- 236c82.dgn
 *REF- 236c83.dgn
 *REF- 236c84.dgn
 *REF- 236c85.dgn
 *REF- 236c86.dgn
 *REF- 236c87.dgn
 *REF- 236c88.dgn
 *REF- 236c89.dgn
 *REF- 236c90.dgn
 *REF- 236c91.dgn
 *REF- 236c92.dgn
 *REF- 236c93.dgn
 *REF- 236c94.dgn
 *REF- 236c95.dgn
 *REF- 236c96.dgn
 *REF- 236c97.dgn
 *REF- 236c98.dgn
 *REF- 236c99.dgn
 *REF- 236c100.dgn