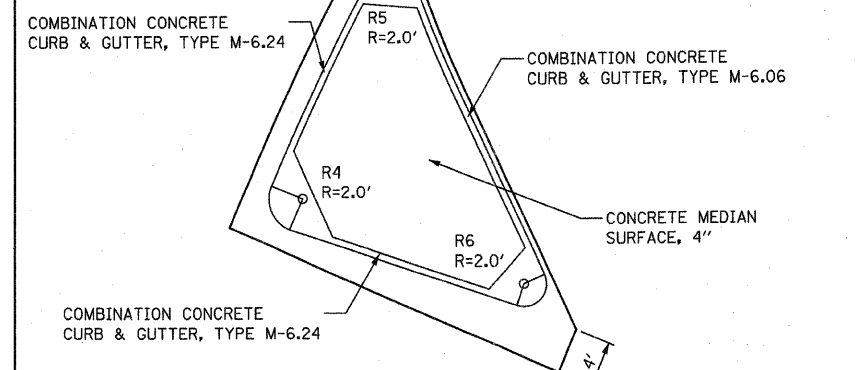


FAI ROUTE	SECTION	COUNTY	TOTAL SHEETS	SHEET NO.
70	*	MADISON	420	127
STA. 488+80		TO STA. 494+00		
CONTRACT NO.: 76709				
* 60-10K-1, 60-10HB				

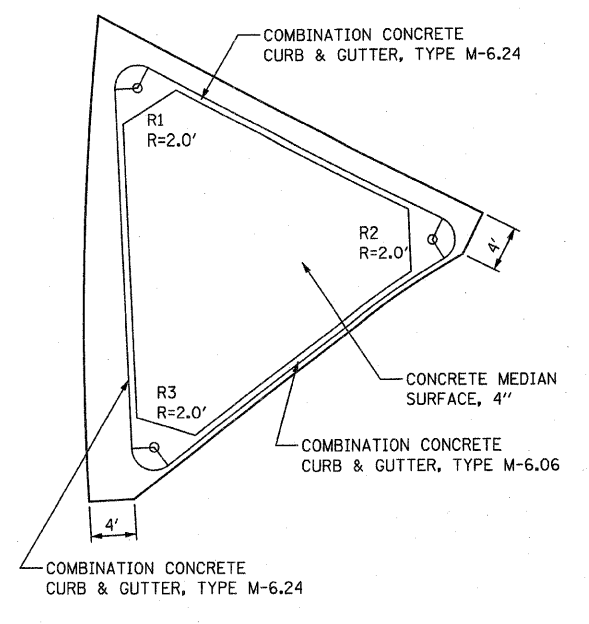
NOTE:
1. ALL DIMENSIONS, STATIONS, AND OFFSETS ARE TO THE EDGE OF PAVEMENT UNLESS OTHERWISE NOTED.



STATION OFFSET DATA FOR ISLAND RADII

DESCRIPTION	IL RTE 162	
	STATION	OFFSET
R4	491+59.65	41.31' LT
R5	491+58.94	61.95' LT
R6	491+81.26	42.31' LT

DETAIL 1 SCALE: 1" = 10'



STATION OFFSET DATA FOR ISLAND RADII

DESCRIPTION	IL RTE 162	
	STATION	OFFSET
R1	491+61+02	45.58' RT
R2	491+89.33	47.37' RT
R3	491+74.70	74.00' RT

DETAIL 2 SCALE: 1" = 10'



ILLINOIS DEPARTMENT OF TRANSPORTATION
INTERSECTION LAYOUT DETAILS - 1

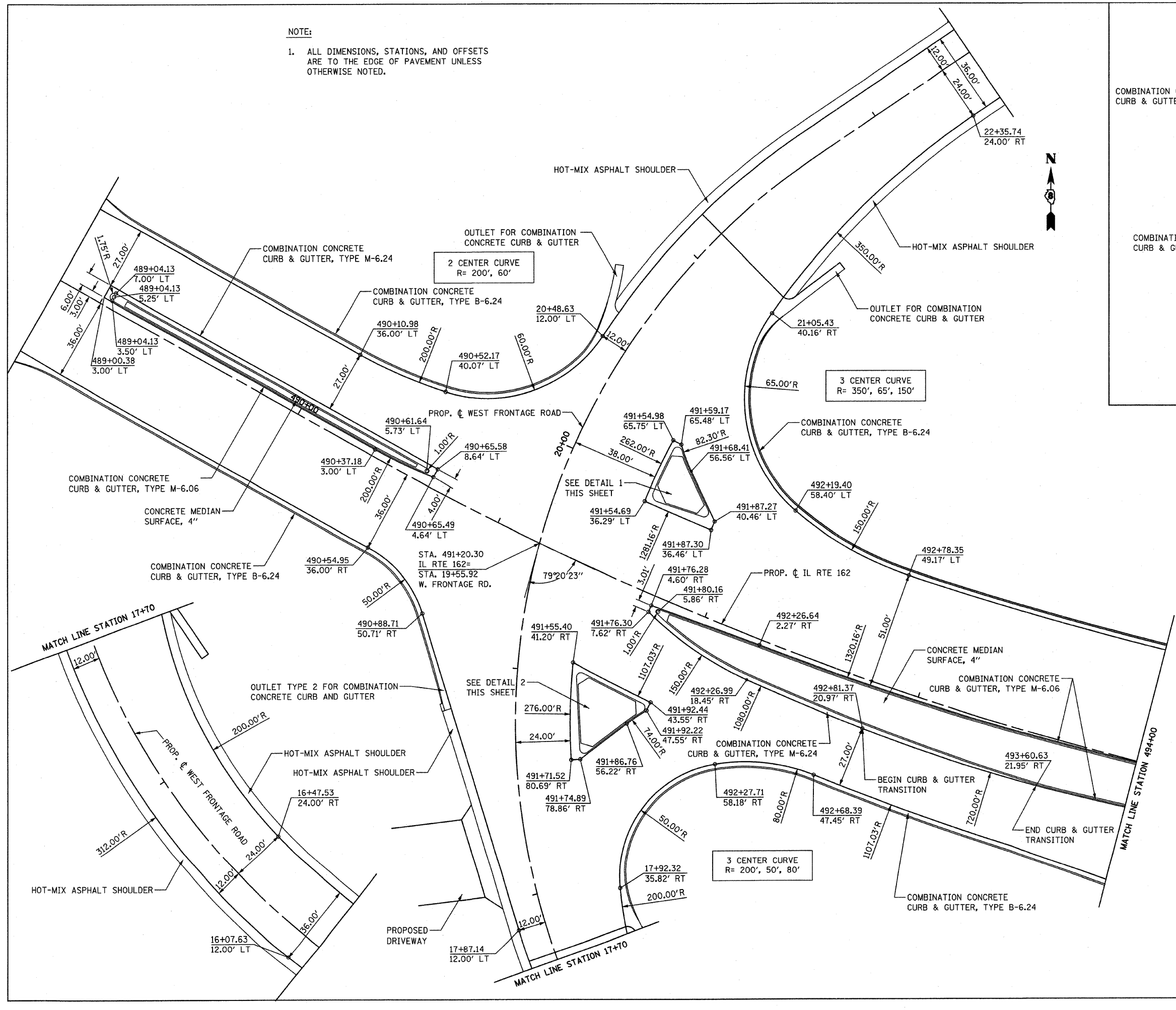
REVISIONS	
NAME	DATE

FAI ROUTE 70
SECTION 60-10K-1, 60-10HB
MADISON COUNTY

DRAWN BY: GRH
PLOT DATE: *DATE-TIME*

DATE	BY

PLAN
SUBMITTED
CHECKED
DATE
NO. NAME
NO. NAME



DWG-SPEC
*REF- 236chz01.dgn
*REF- 236h0101.dgn