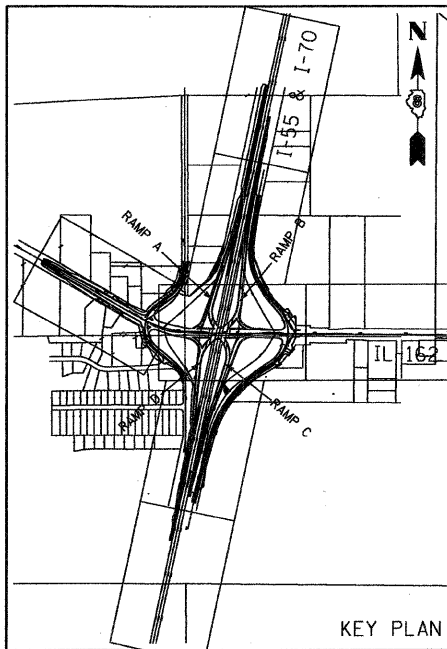
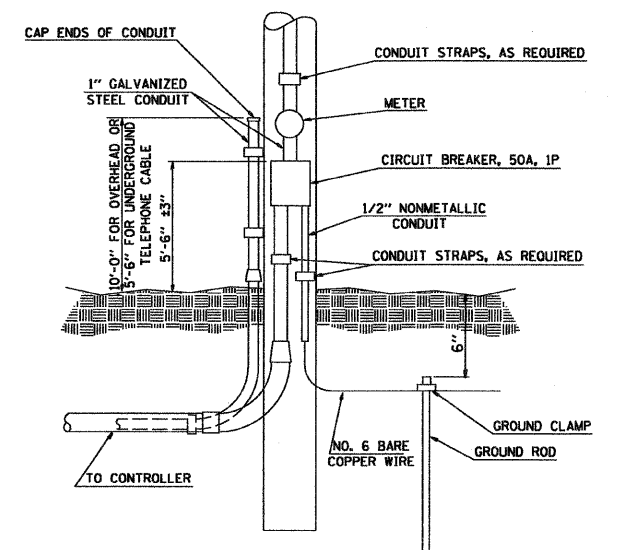
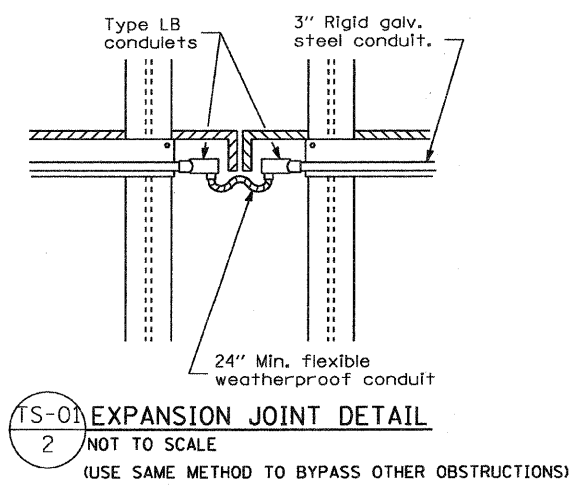


FAP ROUTE	SECTION	COUNTY	TOTAL SHEETS	SHEET NO.
70	60-10 (K-1,HB)	MADISON	420	194
STA.		TO STA.		
CONTRACT NO.: 76709				



ABBREVIATIONS	
ATS	ATTACHED TO STRUCTURE
CCO	CALL CARRY OVER
CD	CALL DELAY
CT	COMMON TRENCH
EC	EMBEDDED CONDUIT
GSC	GALVANIZED RIGID STEEL CONDUIT
GRS	
RCS	
DIA.	DIAMETER
FT.	FOOT
IN.	INCH
N.T.S.	NOT TO SCALE
TBR	TO BE REMOVED
U.N.O.	UNLESS NOTED OTHERWISE



**GENERAL NOTES - TRAFFIC SIGNALS**

- ALL SIGNAL HEADS SHALL BE POLYCARBONATE WITH 12" LENSES. MOUNTING SHALL BE UNPAINTED ALUMINUM. THE CONTROLLER CABINET SHALL BE UNPAINTED ALUMINUM. ALL BOLTS, SCREWS, NUTS, AND WASHERS SHALL BE STAINLESS STEEL. ANTI-SEIZE PASTE COMPOUND SHALL BE USED ON ALL MOUNTING HARDWARE FIELD CONNECTORS.
- BACKPLATES SHALL BE ABS PLASTIC.
- THE LOCATION OF MAST ARM SUPPORTS SHALL BE APPROVED BY THE ENGINEER BEFORE FOUNDATIONS ARE CONSTRUCTED. MAST ARM POLES SHALL BE LOCATED A MINIMUM OF 10 FEET FROM THE EDGE OF PAVEMENT OR 2 FEET FROM THE EDGE OF SHOULDER, WHICHEVER DISTANCE IS GREATER. IN CURBED SECTIONS, THE MAST ARM POLE SHALL BE LOCATED A MINIMUM OF 5 FEET FROM THE FACE OF CURB. THESE DISTANCES ARE TO THE NEAR FACE OF THE MAST ARM POLES.
- ALL TRAFFIC SIGNAL CABLES SHALL BE #14 AWG STRANDED COPPER, UNLESS OTHERWISE SPECIFIED. TERMINAL ENDS SHALL HAVE CRIMPED-ON RING TONGUE CONNECTORS.
- THE LOCATION OF ALL DETECTOR LOOPS SHALL BE APPROVED BY THE ENGINEER BEFORE ANY SLOTS ARE SAWED IN THE PAVEMENT.
- DETECTOR LOOP LEAD-IN SPLICES SHALL BE MADE IN A HANDHOLE PER SECTION 873 OF THE STANDARD SPECIFICATIONS FOR TRAFFIC CONTROL ITEMS. CONDUCTORS SHALL BE SPLICED IN A RIGID MOLD. ROSIN-CORE SOLDER SHALL BE USED.
- CALL DELAY SHALL NOT FUNCTION WHEN THE RELATED PHASES ARE IN THE GREEN MODE.
- ALL INDUCTION LOOP DETECTOR AMPLIFIERS SUPPLIED FOR THIS PROJECT SHALL HAVE THE CAPACITY OF OPERATING WITH BOTH DELAY AND EXTENSION MODES ACTIVE. THEY SHALL BE RACK MOUNTED.
- SLOPE HANDHOLE COVERS TO MATCH THE PROPOSED GRADE ELEVATION. ALL HANDHOLES SHALL BE CAST-IN-PLACE PORTLAND CEMENT CONCRETE (PER ARTICLE 814.03(B)). THE CAST-IN-PLACE LEGEND IN THE COVER SHALL BE "TRAFFIC".
- ALL UTILITIES SHALL BE LOCATED IN THE FIELD PRIOR TO ANY ATTEMPT TO CONSTRUCT ANY COMPONENT OF THE VARIOUS TRAFFIC SIGNAL INSTALLATIONS.
- ILLINOIS STATE LAW REQUIRES A 48-HOUR NOTICE TO BE GIVEN TO UTILITIES BEFORE DIGGING. FIELD MARKING OF FACILITIES MAY BE OBTAINED BY CONTACTING J. U. L. I. E. AT (800) 892-0123 OR FOR NON-MEMBERS, THE UTILITY COMPANY DIRECTLY.
- LOCATE UNDERGROUND CABLES PRIOR TO ATTEMPTING TO CONSTRUCT THIS PROJECT.
- ABANDON EXISTING CONDUITS AND CABLES AS SHOWN ON THE PLANS. ENDS OF EXISTING CONDUIT TO BE ABANDONED SHALL BE PLUGGED TO PREVENT WATER SEEPAGE.
- THE CONTRACTOR SHALL FABRICATE, DELIVER, AND INSTALL STREET NAME SIGNS AT THE SPECIFIED LOCATIONS. THE SIGNS AND INSTALLATION SHALL CONFORM TO SECTION 720 OF THE STANDARD SPECIFICATION FOR TRAFFIC CONTROL ITEMS AND STANDARD 720016.
- THE CONTRACTOR SHALL INSTALL THE STREET NAME SIGNS ON THE MAST ARMS AS SHOWN ON PLANS.
- CONDUIT SPLICES WILL NOT BE PAID FOR SEPARATELY. CONDUIT SPLICES WILL BE CONSIDERED PART OF THE NEW INSTALLATION.

**SHEET INDEX - TRAFFIC SIGNALS**

TS-01	TRAFFIC SIGNALS GENERAL NOTES, LEGENDS, SHEET INDEX, & DETAILS
TS-02	TRAFFIC SIGNALS SCHEDULE OF QUANTITIES
TS-03	PROPOSED TRAFFIC SIGNALS PLAN IL 162 @ FORMOSA RD./FRONTAGE RD.
TS-04	PROPOSED TRAFFIC SIGNALS CABLE PLAN IL 162 @ FORMOSA RD./FRONTAGE RD.
TS-05	PROPOSED TRAFFIC SIGNALS PLAN IL 162 @ I-55/70 SPDI
TS-06	PROPOSED TRAFFIC SIGNALS CABLE PLAN IL 162 @ I-55/70 SPDI
TS-07	PROPOSED TRAFFIC SIGNALS PLAN IL 162 @ LIEBLER RD./FORMOSA RD.
TS-08	PROPOSED TRAFFIC SIGNALS CABLE PLAN IL 162 @ LIEBLER RD./FORMOSA RD.
TS-09	REMOVE EXISTING TRAFFIC SIGNAL EQUIPMENT, HANDHOLES & CONCRETE FOUNDATIONS
TS-10	MONOTUBE SIGNAL STRUCTURE

**SHEET INDEX - ASSORTED STRUCTURAL DRAWINGS**

1 OF 4	MONOTUBE SPAN STRUCTURE ELEVATIONS, NOTES & CAMBER DETAILS
2 OF 4	MONOTUBE SPAN STRUCTURE GENERAL PLAN & ELEVATION
3 OF 4	MONOTUBE SPAN STRUCTURE BASE PLATE & ARM CONNECTION DETAILS
4 OF 4	MONOTUBE SPAN STRUCTURE BASE PLAT & ARM CONNECTION DETAILS
S-16 OF S-68	DECK PLAN - IL 162
S-21 OF S-68	DECK CROSS SECTION - IL 162
S-25 OF S-68	ELECTRICAL DETAILS
S-26 OF S-68	NORTH & SOUTH ISLAND DETAILS
S-59 OF S-68	PIER PLAN & ELEVATIONS - STAGE 1
S-60 OF S-68	PIER PLAN & ELEVATIONS - STAGE 2
S-61 OF S-68	PIER DETAILS

LEGEND	PROPOSED	EXISTING
SERVICE INSTALLATION		
GROUND CABLE AND GROUNDING ROD		
GROUNDING CONNECTION		
CONDUIT SPLICE		
CABLE		
GALVANIZED STEEL CONDUIT (T) INDICATES IN TRENCH (P) INDICATES PUSHED		
HANDHOLE		
DOUBLE HANDHOLE		
JUNCTION BOX		
LIGHTING CONTROLLER		
SIGNAL HEAD		
SIGNAL HEAD WITH BACKPLATE		
SIGNAL POST		
MAST ARM ASSEMBLY AND POLE, STEEL		
MAST ARM ASSEMBLY AND POLE, ALUMINUM		
DETECTOR LOOP		
ADVANCED DETECTOR LOOP INTERCONNECT SYSTEMS DETECTOR LOOP		
SIGN ON SIGNAL POLE / MAST ARM		
DETECTOR LOOP LEAD-IN SPLICE		
NUMBER OF CONDUCTORS OR FIBER OPTIC STRANDS		
GEOMETRICALLY PROGRAMMED LOUVER (G.P.L.)		
LEFT TURN - GREEN		
LEFT TURN - YELLOW		
TRAFFIC SIGNAL SECTION 12" - GREEN		
SIGNAL FACE WITH BACKPLATE RED YELLOW GREEN YELLOW LEFT GREEN LEFT		

REVISIONS	
NAME	DATE

TS-01

ILLINOIS DEPARTMENT OF TRANSPORTATION  
TRAFFIC SIGNALS, GENERAL  
NOTES, LEGENDS, SHEET INDEX,  
& DETAILS  
FAI ROUTE 70  
SECTION 60-10K-1, 60-10HB  
MADISON COUNTY

DRAWN BY: \_\_\_\_\_ CHECKED BY: A. OSHANA, P.E.

PLAN NO. 1  
 DATE 1/28/2009  
 BY ROBERT SWANSON  
 CHECKED BY  
 APPROVED BY

XXXXX.XXX - IDOT IL 162 over I-55,70 revisions  
 236-TS-01.dgn  
 1/28/2009 5:11:33 PM  
 ROBERT SWANSON