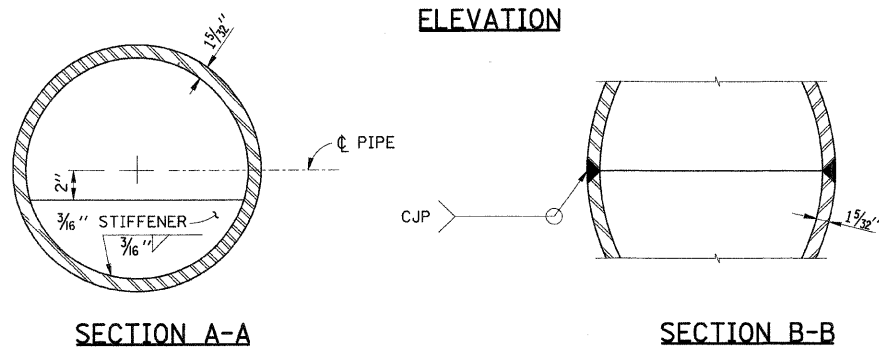
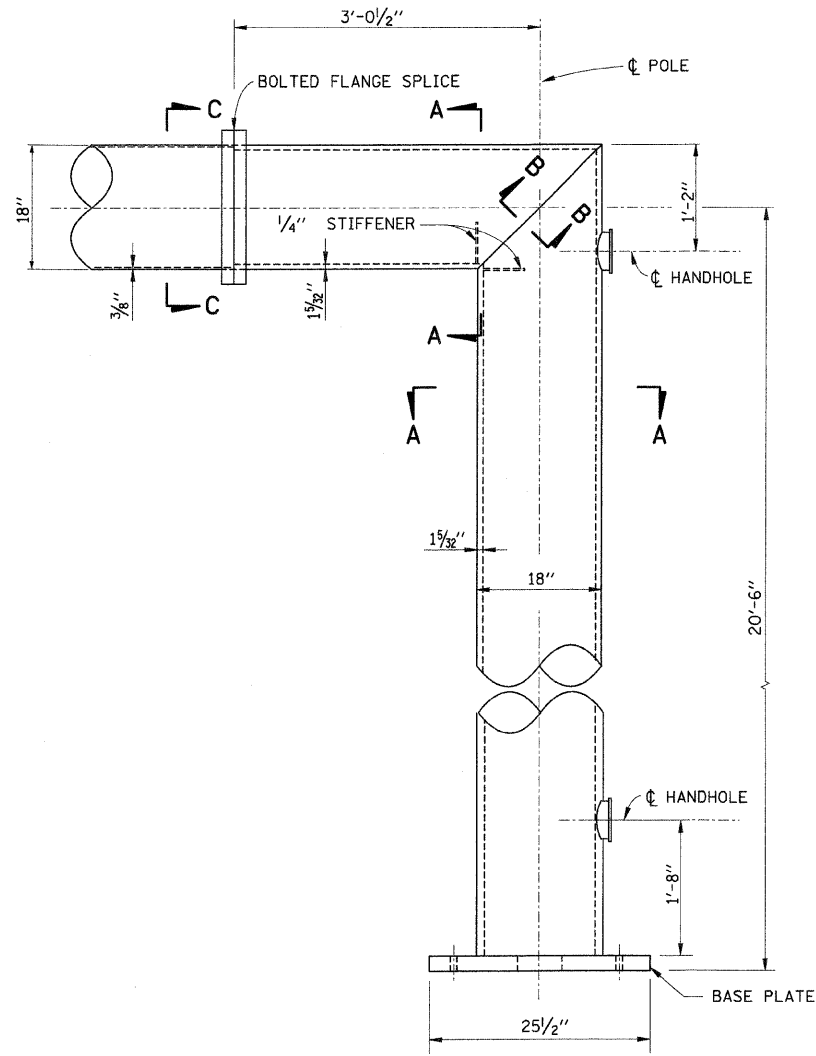
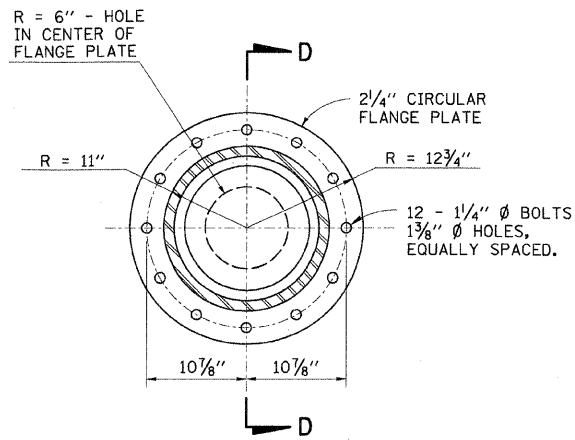


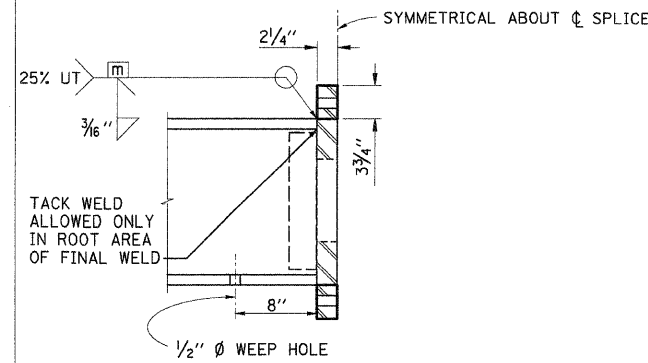
F.A.I. RTE.	SECTION	COUNTY	TOTAL SHEETS	SHEET NO.
TO		MADISON	420	206
STA.	TO STA.			
FED. ROAD DIST. NO.	ILLINOIS	FED. AID PROJECT		
* 60-10K-1, 60-10HB CONTRACT NO. 76709				



SECTION A-A SECTION B-B
MONOTUBE POLE & ARM DETAILS

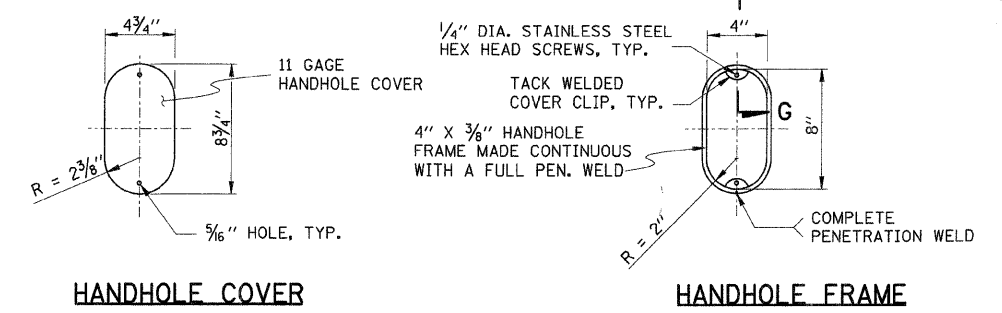


SECTION C-C



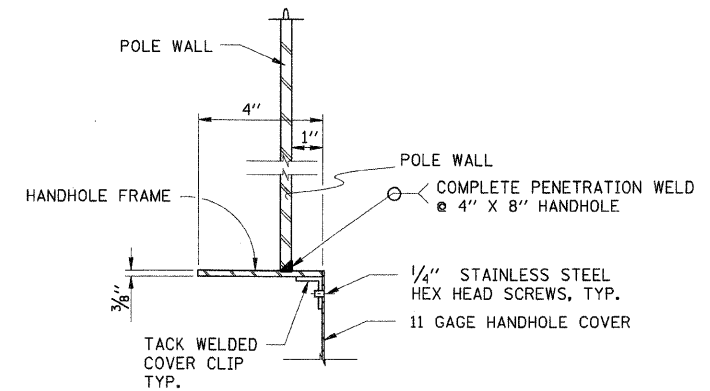
SECTION D-D

MONOTUBE FLANGE SPLICE DETAILS



HANDHOLE COVER

HANDHOLE FRAME



SECTION G-G

MONOTUBE HANDHOLE DETAILS

SIGN STRUCTURE NUMBER
8M0601055R018.0

SHT. 3 OF 4



REVISIONS	
NAME	DATE

ILLINOIS DEPARTMENT OF TRANSPORTATION
IL ROUTE 162 OVER I-55/70 IN TROY
F.A.I. ROUTE 70 SECTION 60-10K-1, 60-10HB
MADISON COUNTY STATION 499+48.35
STRUCTURE NO. 060-0338
MONOTUBE SPAN STRUCTURE
BASE PLATE & ARM
CONNECTION DETAILS
DESIGNED: JAN DRAWN: HJB
DATE: 4/06 CHECKED: TO CHECKED: JAN