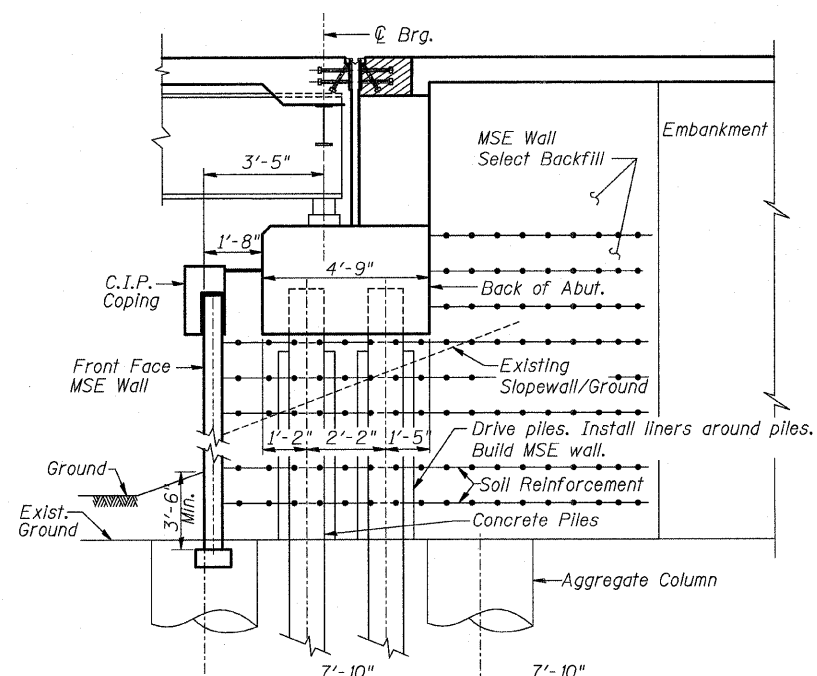
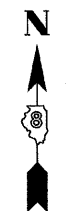
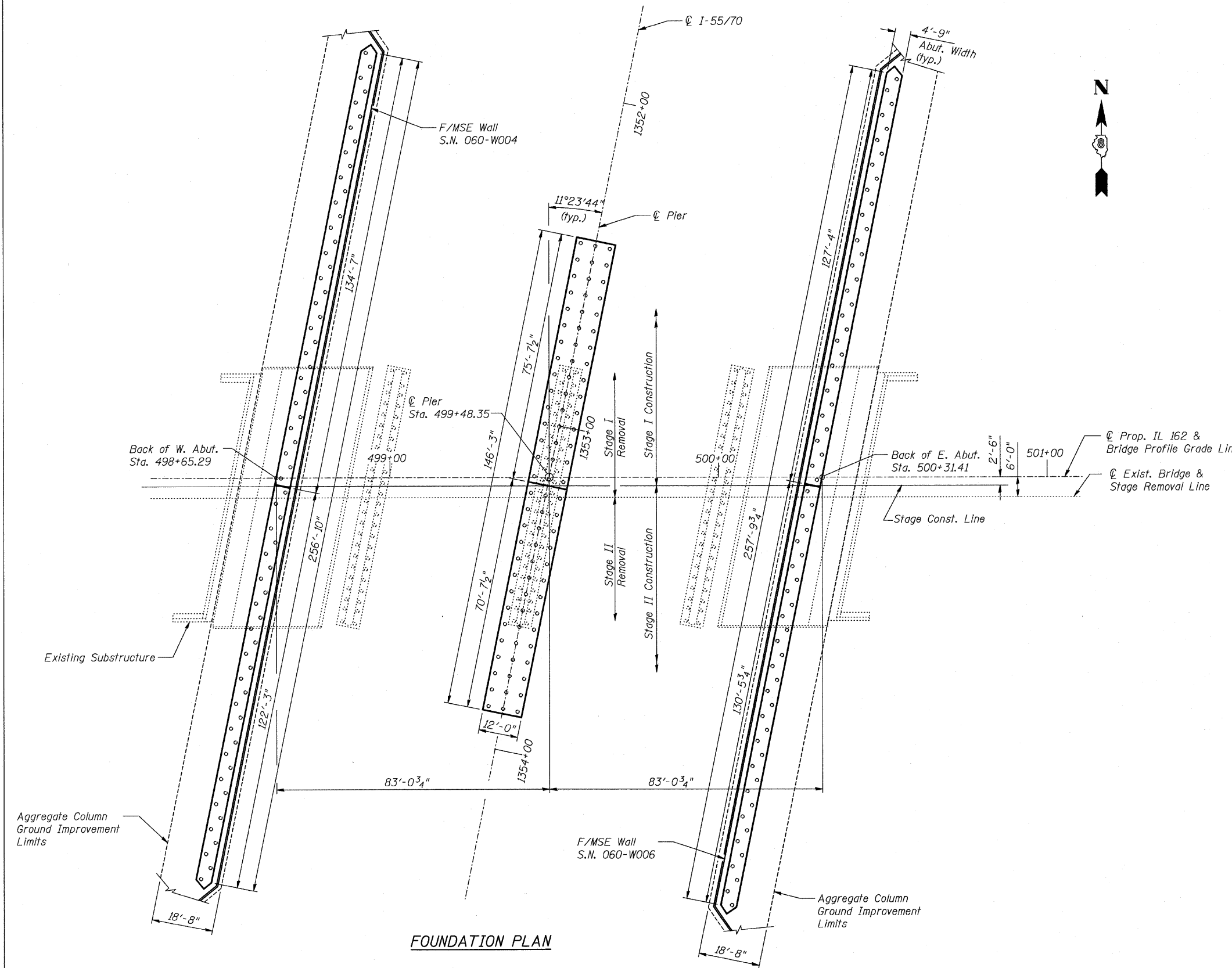
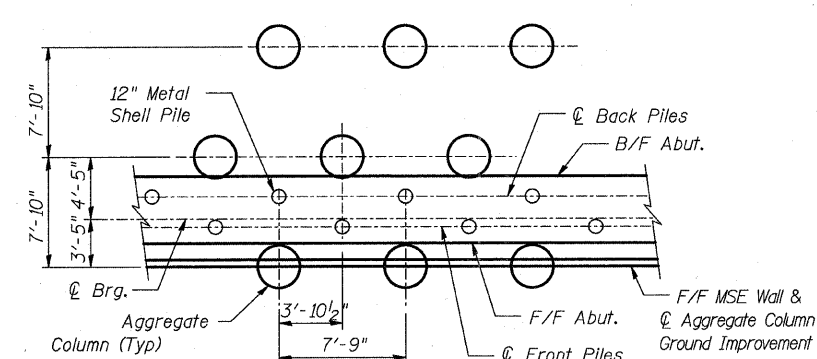


F.A.I. RTE.	SECTION	COUNTY	TOTAL SHEETS	SHEET NO.
70	60-10K-1,60-10HB	MADISON	420	222
STA.	TO STA.			
	ILLINOIS		FED. AID PROJECT	

CONTRACT NO. 76709



SECTION AT ABUTMENT  
(Dimensions @ Rt. L's)



TYPICAL AGGREGATE COLUMN GROUND IMPROVEMENT/PILE LAYOUT

Contractor shall alternate aggregate column and pile spacing as shown.

**NOTES:**

1. For Abutment pile layout, see Shts. S-53, S-54, S-56, & S-57.
2. For Pier Pile layout, see Shts. S-59 & S-60.
3. Details for Aggregate Column Ground Improvement and Mechanically Stabilized Earth (MSE) walls are shown on drawings for Structure No. 060-W004 and 060-W006.
4. Drill Aggregate Columns before driving piles.

REVISIONS	
NAME	DATE

ILLINOIS DEPARTMENT OF TRANSPORTATION  
IL ROUTE 162 OVER I-55/70 IN TROY  
F.A.I ROUTE 70 SECTION 60-10K-1, 60-10HB  
MADISON COUNTY STATION 499+48.35  
STRUCTURE NO. 060-0338

FOUNDATION PLAN

DESIGNED: BTO      DRAWN: BTO  
CHECKED: AWH      CHECKED: AWH  
DATE: 03/06

SHT. S-04 OF S-68

**STV Incorporated**  
Engineers/Architects/Planners/Construction Managers  
200 W. Monroe Street, Suite 1650  
Chicago, IL 60606-5015  
312/553-0655, FAX 312/553-0661