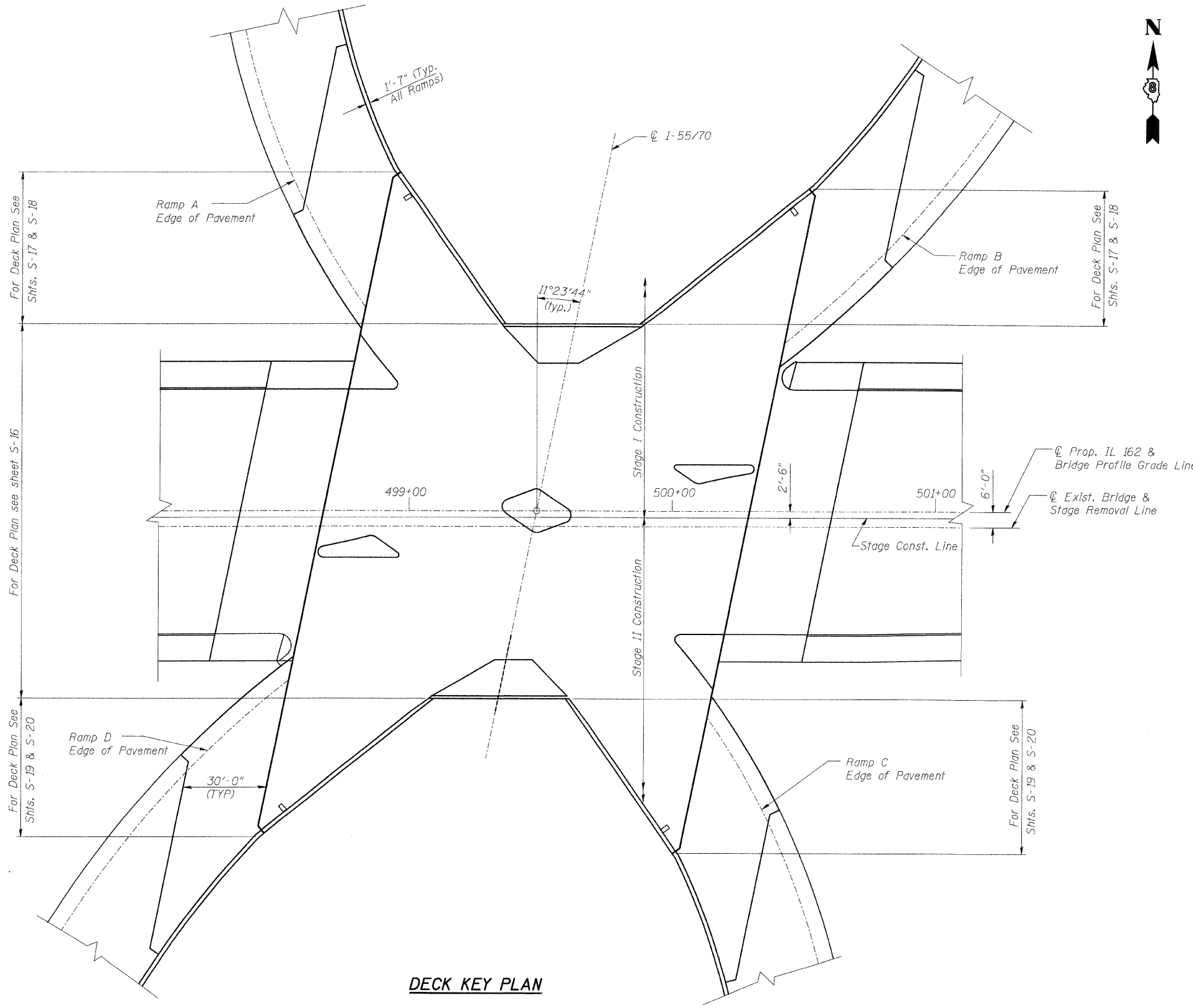
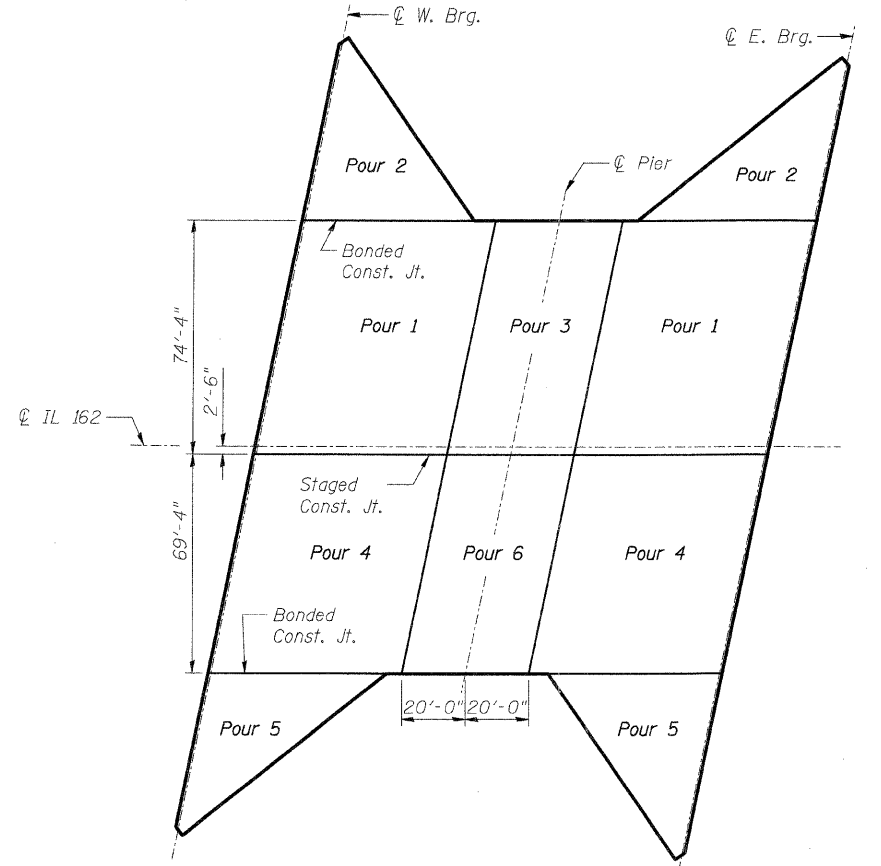


F.A.I. RTE.	SECTION	COUNTY	TOTAL SHEETS	SHEET NO.
TO 60-10K-1,60-10HB	MADISON	420	233	
STA.	TO STA.			
FED. ROAD DIST. NO.	ILLINOIS	FED. AID PROJECT		

CONTRACT NO. 76709



DECK KEY PLAN



DECK POUR SEQUENCE

NOTES:

1. For parapet and railing details see sheets S-27 thru S-29.
2. For superimposed median details see Sht. S-30.
For island details, see Sht. S-26.
3. Work this sheet with S-16 thru S-24.
4. The pour sequence shall not be changed without the approval of the engineer.
5. Superimposed medians 1, 2, & 3 shall be poured after stage II deck is in place.

SHT. S-15 OF S-68



REVISIONS	
NAME	DATE

ILLINOIS DEPARTMENT OF TRANSPORTATION
 IL ROUTE 162 OVER I-55/70 IN TROY
 F.A.I ROUTE 70 SECTION 60-10K-1, 60-10HB
 MADISON COUNTY STATION 499+48.35
 STRUCTURE NO. 060-0338

DECK KEY PLAN & POUR SEQUENCE
 DESIGNED: AWB DRAWN: BTO
 CHECKED: BTO CHECKED: JAN
 DATE: 03/06