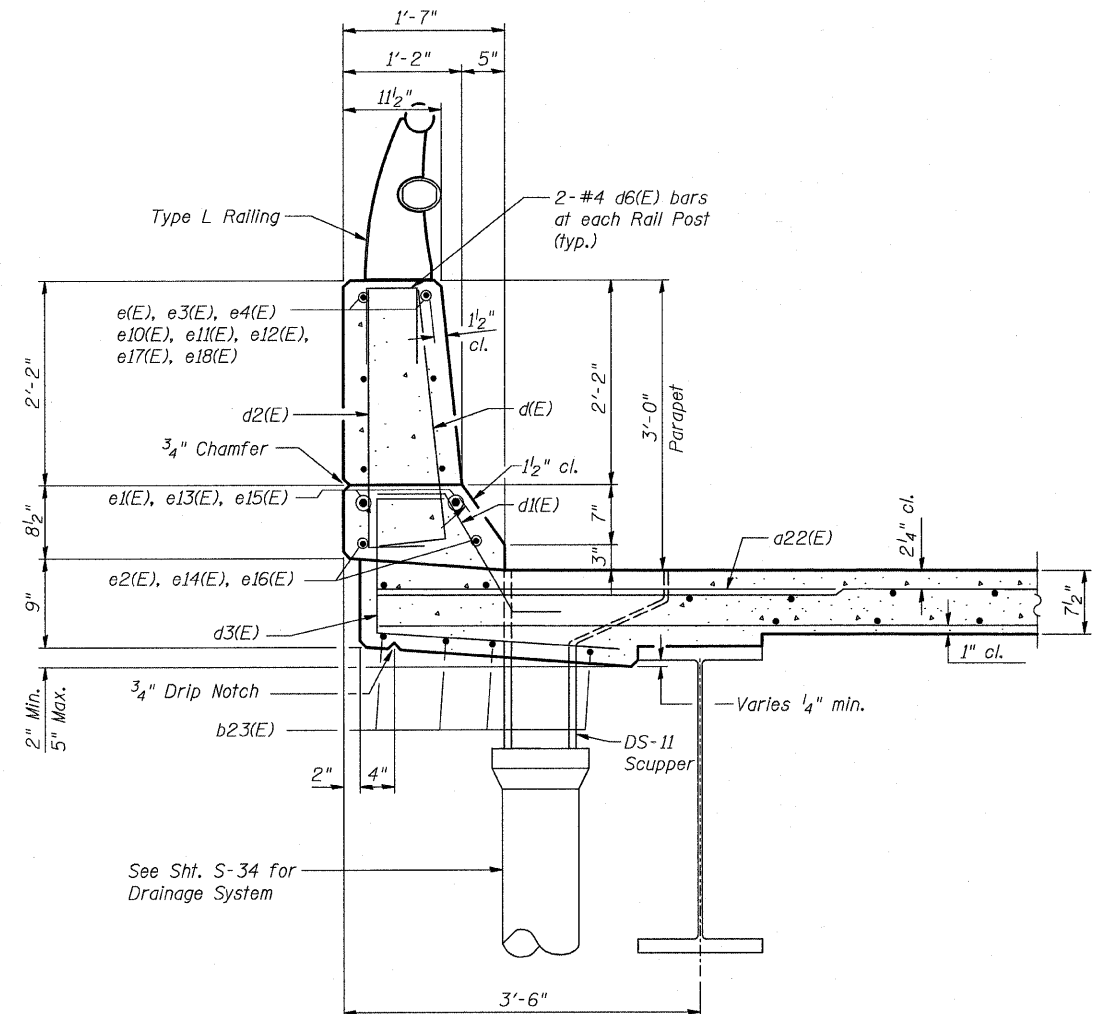
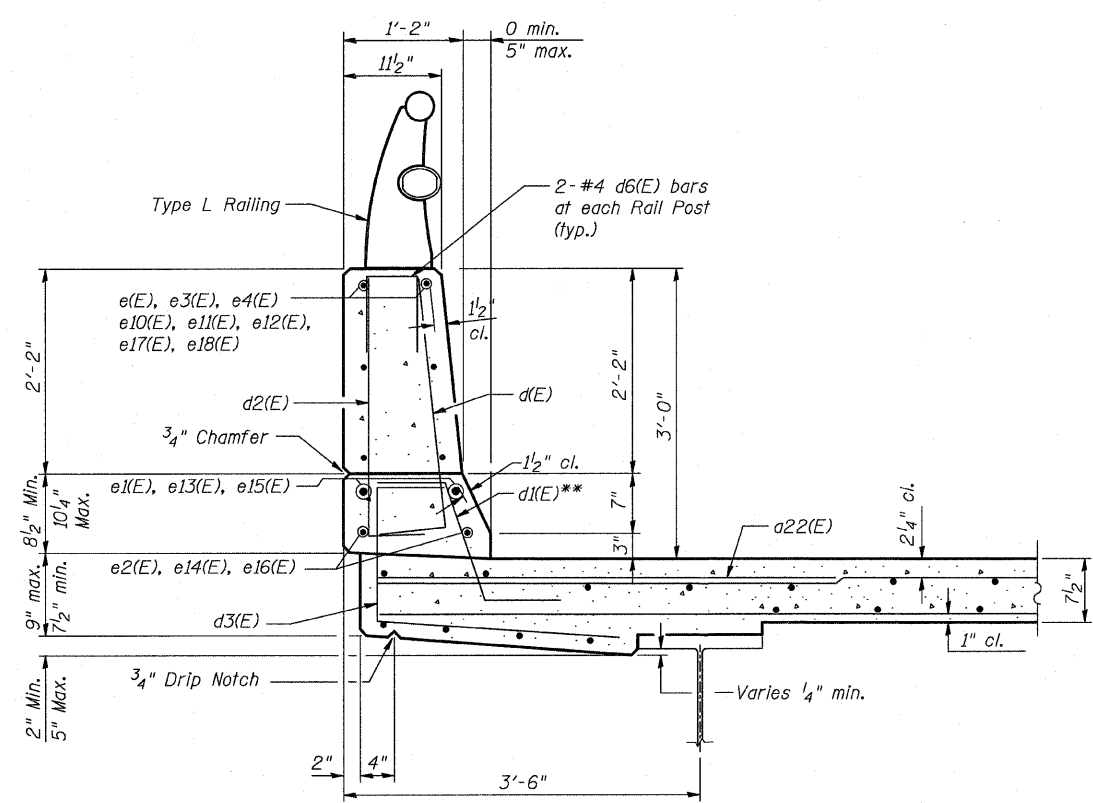


F.A.I. RTE.	SECTION	COUNTY	TOTAL SHEETS	SHEET NO.
70	60-10K-1,60-10HB	MADISON	420	242
STA.	TO STA.			
FED. ROAD DIST. NO.	ILLINOIS FED. AID PROJECT			

CONTRACT NO. 76709



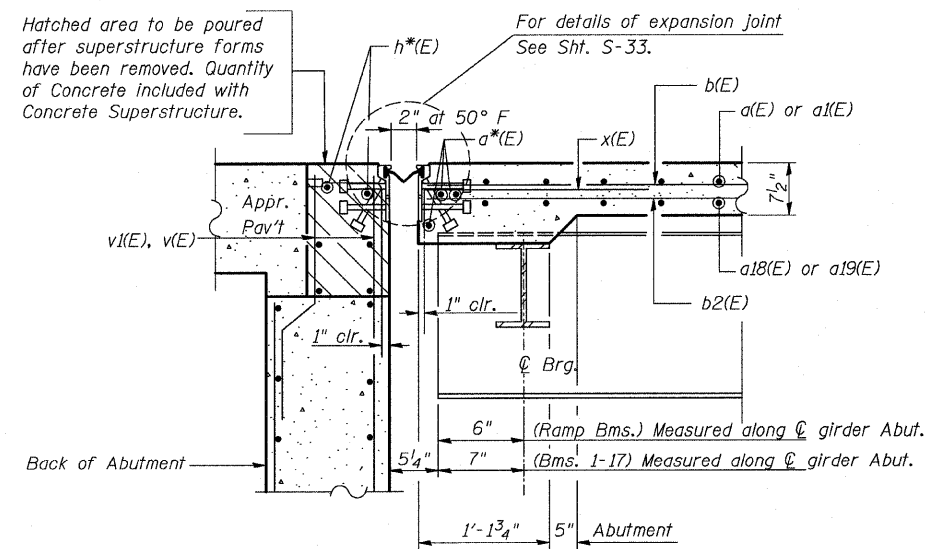
SECTION THROUGH RAMP PARAPET (TYP.)



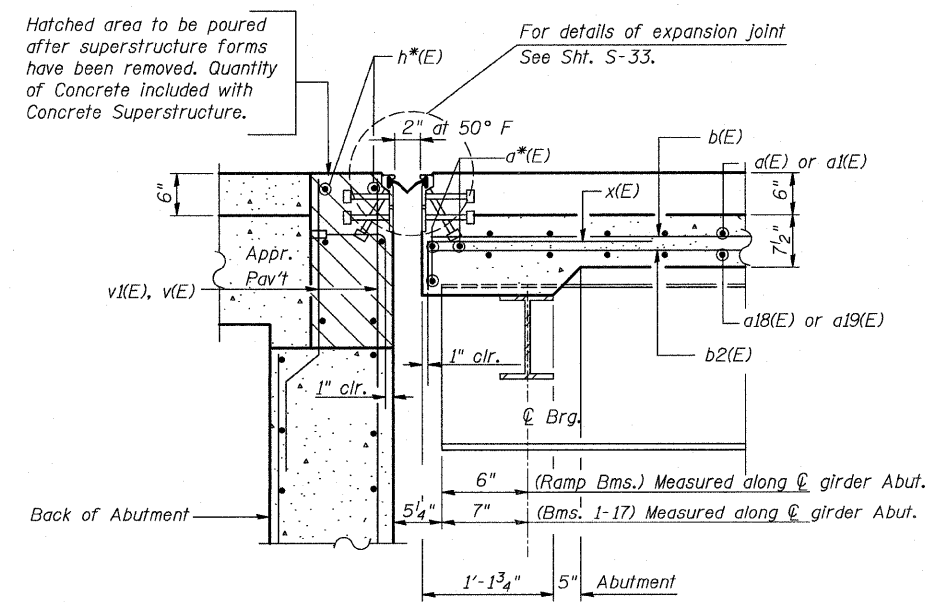
SECTION D-D

NOTES:

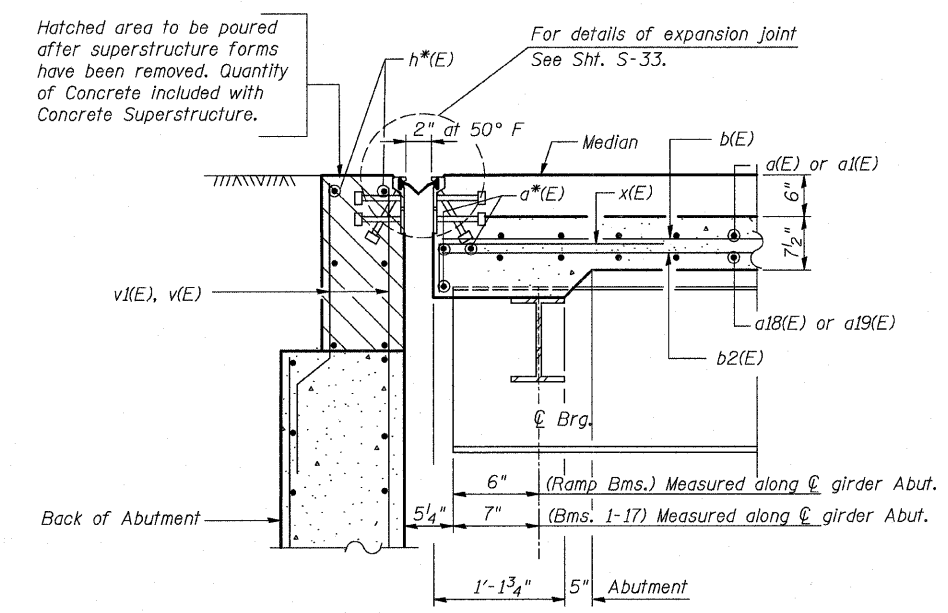
1. For location of section D-D, see sht. S-27.
2. For location of sections A-A, B-B, C-C, see sht S-32.
3. * - Indicates for bar designation, see Deck or Abutment plans.
4. For section through Island Parapet See Sht. S-26.
5. ** - Adjust in field as required.



SECTION A-A
(⊙ Abutments w/ approach slab)



SECTION B-B
(⊙ Abutments w/ approach slab & median)



SECTION C-C
(⊙ Abutments w/o approach slab)

SHT. S-24 OF S-68

STV Incorporated
 Engineers/Architects/Planners/Construction Managers
 200 W. Monroe Street, Suite 1650
 Chicago, IL 60606-3015
 312/553-4655, FAX 312/553-0661

REVISIONS	
NAME	DATE

ILLINOIS DEPARTMENT OF TRANSPORTATION
 IL ROUTE 162 OVER I-55/70 IN TROY
 F.A.I ROUTE 70 SECTION 60-10K-1, 60-10HB
 MADISON COUNTY STATION 499+48.35
 STRUCTURE NO. 060-0338

DECK DETAILS

DESIGNED: BTO DRAWN: BTO
 CHECKED: BG CHECKED: BG

DATE: 03/06