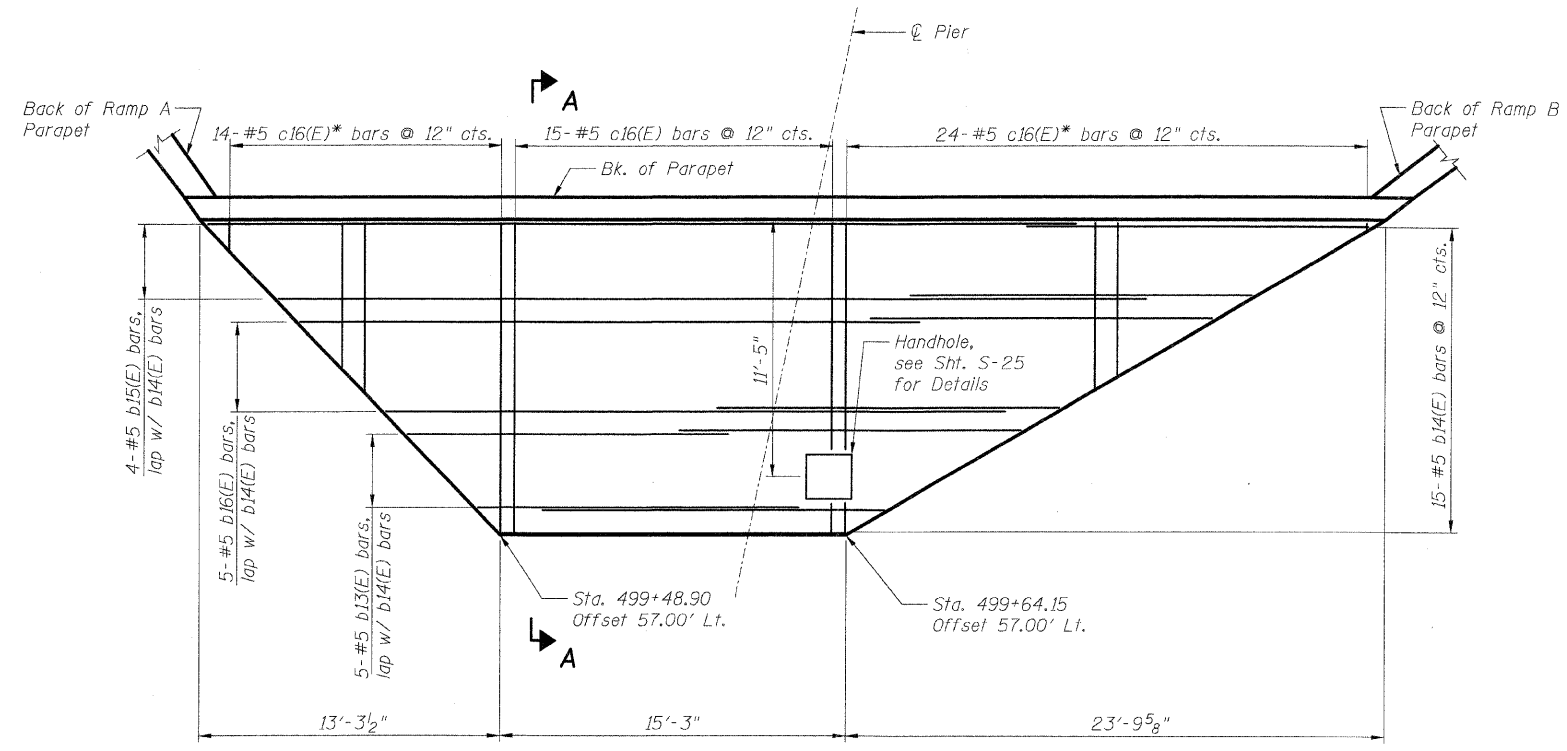
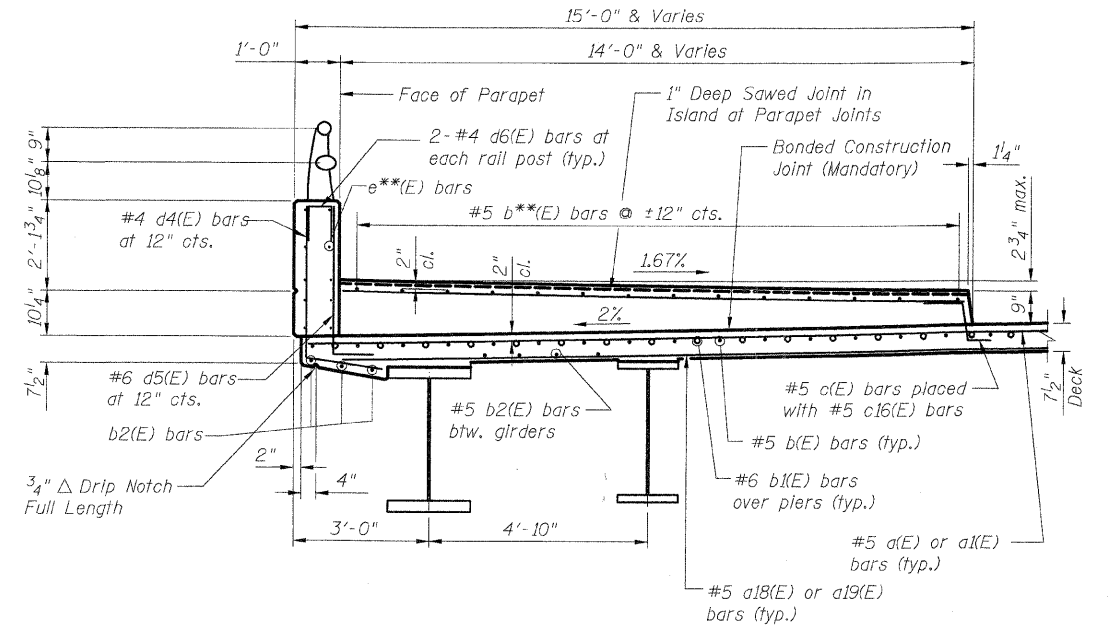


F.A.I. RTE.	SECTION	COUNTY	TOTAL SHEETS	SHEET NO.
TO 60-10K-1,60-10HB	MADISON	420	244	
STA.	TO STA.			
FED. ROAD DIST. NO.	ILLINOIS	FED. AID PROJECT		

CONTRACT NO. 76709



PLAN NORTH ISLAND

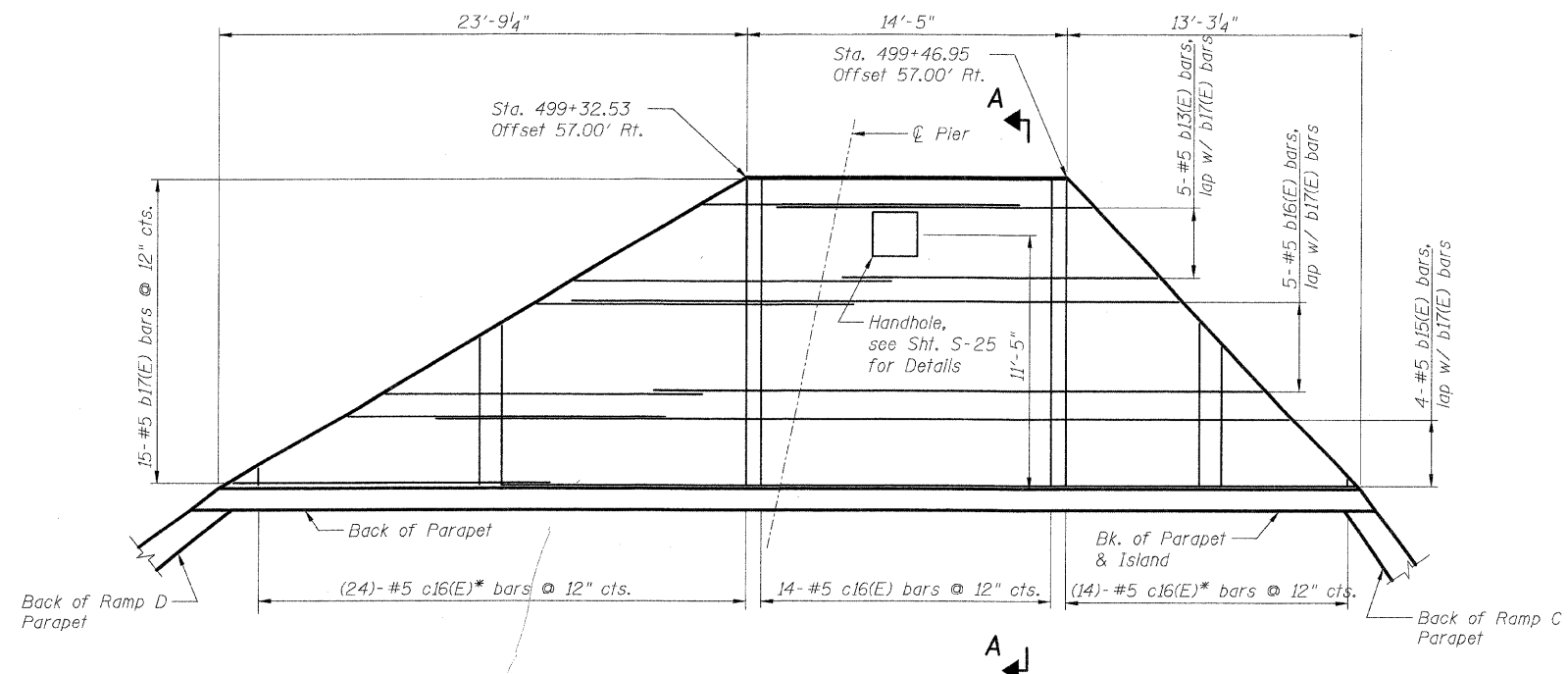


SECTION A-A

**NOTE:**

\*\* - Indicates for bar designation see deck plans, parapet elevations and diaphragm elevation.

IL 162



PLAN SOUTH ISLAND

\*Order c16(E) bars full length. Cut to fit skew and use remainder of bars in opposite island.

SHT. S-26 OF S-68

**STV Incorporated**  
 Engineers/Architects/Planners/Construction Managers  
 300 W. Monroe Street, Suite 1650  
 Chicago, IL 60606-4012  
 312/553-0655, FAX 312/553-0661

REVISIONS	
NAME	DATE

ILLINOIS DEPARTMENT OF TRANSPORTATION  
 IL ROUTE 162 OVER I-55/70 IN TROY  
 F.A.I ROUTE 70 SECTION 60-10K-1, 60-10HB  
 MADISON COUNTY STATION 499+48.35  
 STRUCTURE NO. 060-0338

NORTH & SOUTH ISLAND DETAILS

DESIGNED: BTO      DRAWN: BTO  
 CHECKED: JAW      CHECKED: JAW  
 DATE: 03/06