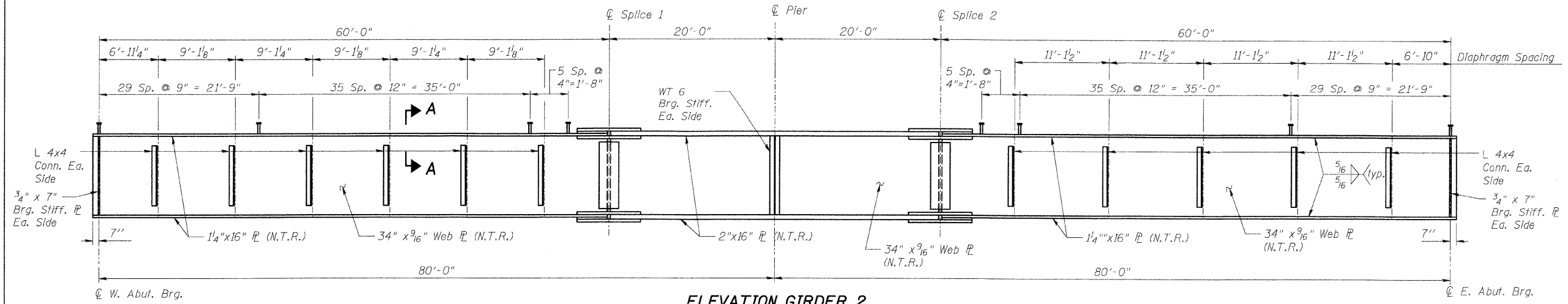
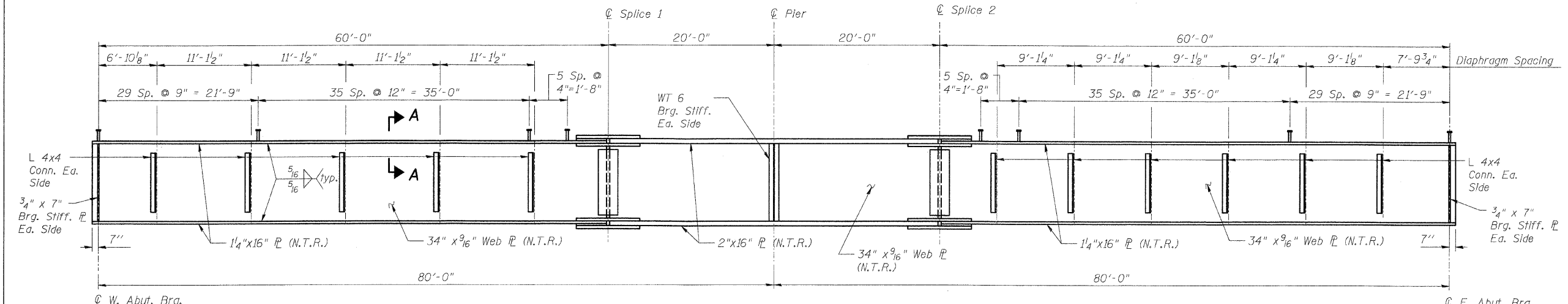


F.A.I. RTE.	SECTION	COUNTY	TOTAL SHEETS	SHEET NO.
TO	60-10K-1,60-10HB	MADISON	420	260
STA.	TO STA.			
FED. ROAD DIST. NO.	ILLINOIS	FED. AID PROJECT		

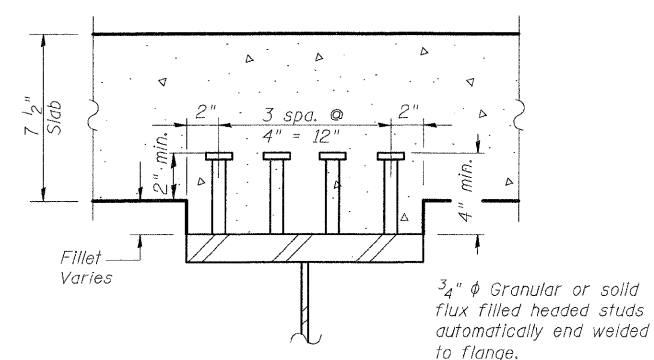
CONTRACT NO. 76709



ELEVATION GIRDER 2
(Looking North)



ELEVATION GIRDER 16
(Looking North)



SECTION A-A

BILL OF MATERIAL

Item	Unit	Total
Stud Shear Connectors	Each	1120

NOTES:

1. N.T.R. denotes members to which notch toughness requirements are applicable.
2. For splice details, see Sht. S-47.
3. For Bearing Stiffener details, see Sht. S-48.
4. For Diaphragm details, see Sht. S-48 & S-49.
5. All steel shown on this sheet shall be AASHTO M270 Grade 50.

SHT. S-42 OF S-68

STV Incorporated
Engineers/Architects/Planners/Construction Managers
100 W. Madison Street, Suite 1650
Chicago, IL 60605-5015
312/353-0655, FAX 312/553-0661

REVISIONS	
NAME	DATE

ILLINOIS DEPARTMENT OF TRANSPORTATION
IL ROUTE 162 OVER I-55/70 IN TROY
F.A.I. ROUTE 70 SECTION 60-10K-1, 60-10HB
MADISON COUNTY STATION 499+48.35
STRUCTURE NO. 060-0338
ELEVATION - GIRDERS 2 & 16
DESIGNED: AWH
DRAWN: BTO
DATE: 03/06
CHECKED: JAN
CHECKED: JAN