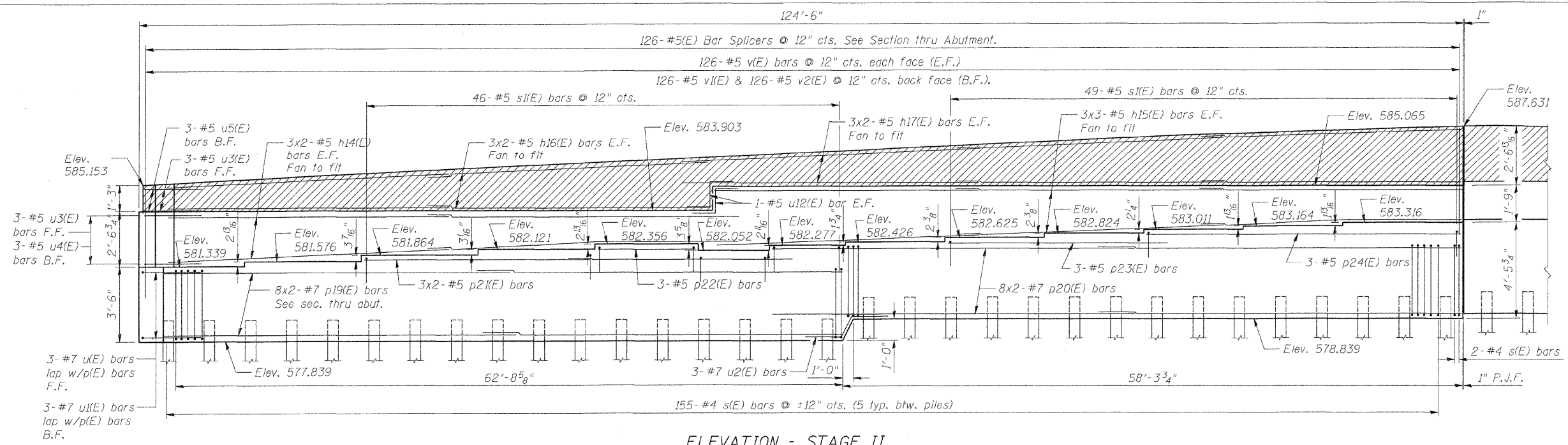
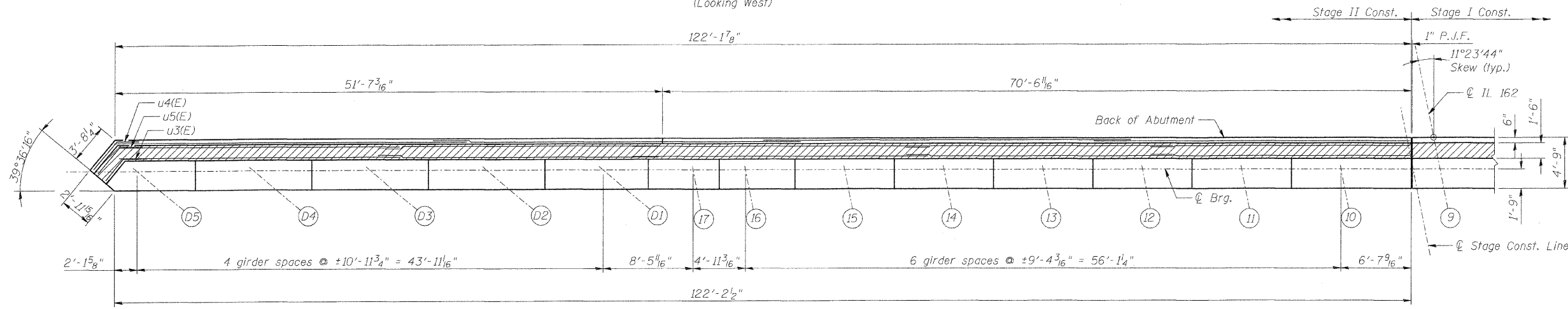


F.A.I. RTE.	SECTION	COUNTY	TOTAL SHEETS	SHEET NO.
70	60-10K-1,60-10HB	MADISON	420	275
STA.	TO STA.			
FED. ROAD DIST. NO.	ILLINOIS	FED. AID PROJECT		

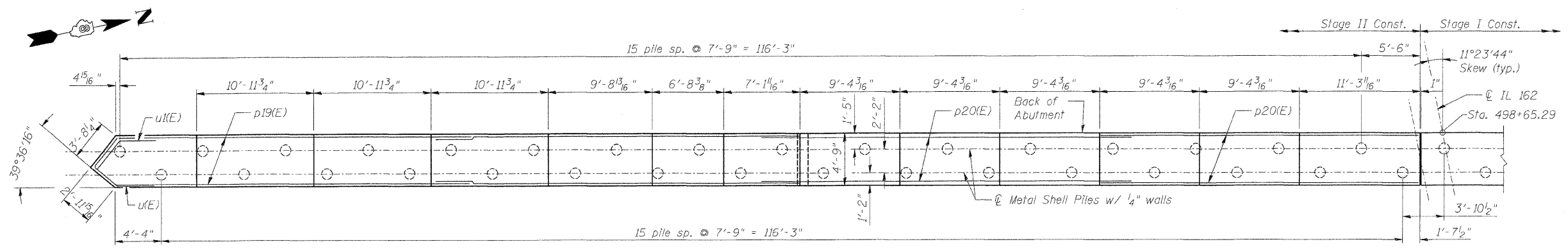
CONTRACT NO. 76709



ELEVATION - STAGE II
(Looking West)



TOP VIEW - STAGE II



PILE CAP PLAN - STAGE II

PILE DATA

Type: 12" ϕ Metal Shell, w/ 1/4" wall
 Nominal Required Bearing: 355 kips
 Allowable Resistance Available: 80 kips
 Est. Length: 86 ft
 No. Required: 32

The Metal Shell piles shall be according to ASTM A252 Grade 3.

NOTE:
 1. For notes, see Sht. S-56.

REVISIONS	
NAME	DATE

ILLINOIS DEPARTMENT OF TRANSPORTATION
 IL ROUTE 162 OVER I-55/70 IN TROY
 F.A.I ROUTE 70 SECTION 60-10K-1, 60-10HB
 MADISON COUNTY STATION 499+48.35
 STRUCTURE NO. 060-0338
WEST ABUTMENT PLAN & ELEVATION - STAGE II
 DESIGNED: JAW
 CHECKED: BTO
 DATE: 03/06
 DRAWN: BTO
 CHECKED: JAW

SHT. S-57 OF S-68

STV Incorporated
 Engineers/Architects/Planners/Construction Managers
 200 W. Monroe Street, Suite 1650
 Chicago, IL 60606-2015
 312.233.0655, FAX 312.553.0661