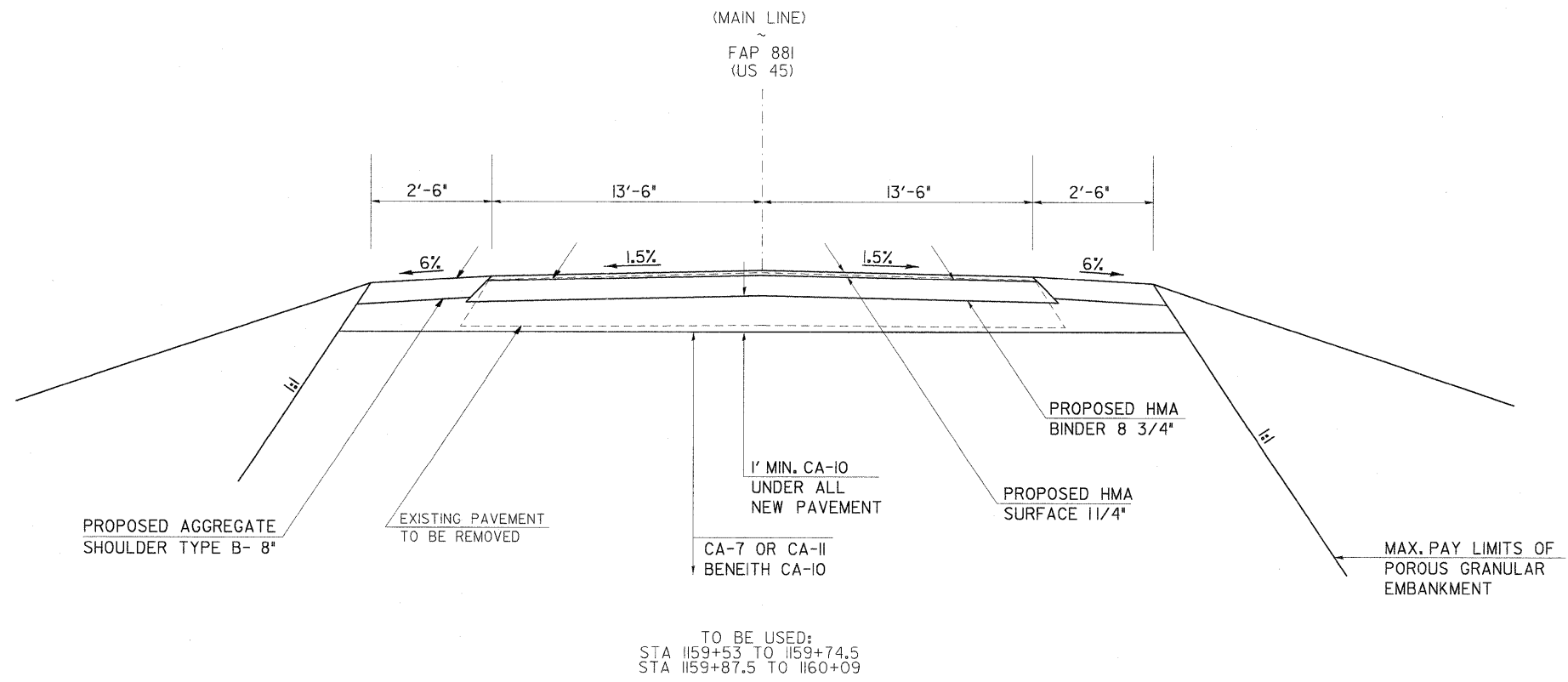
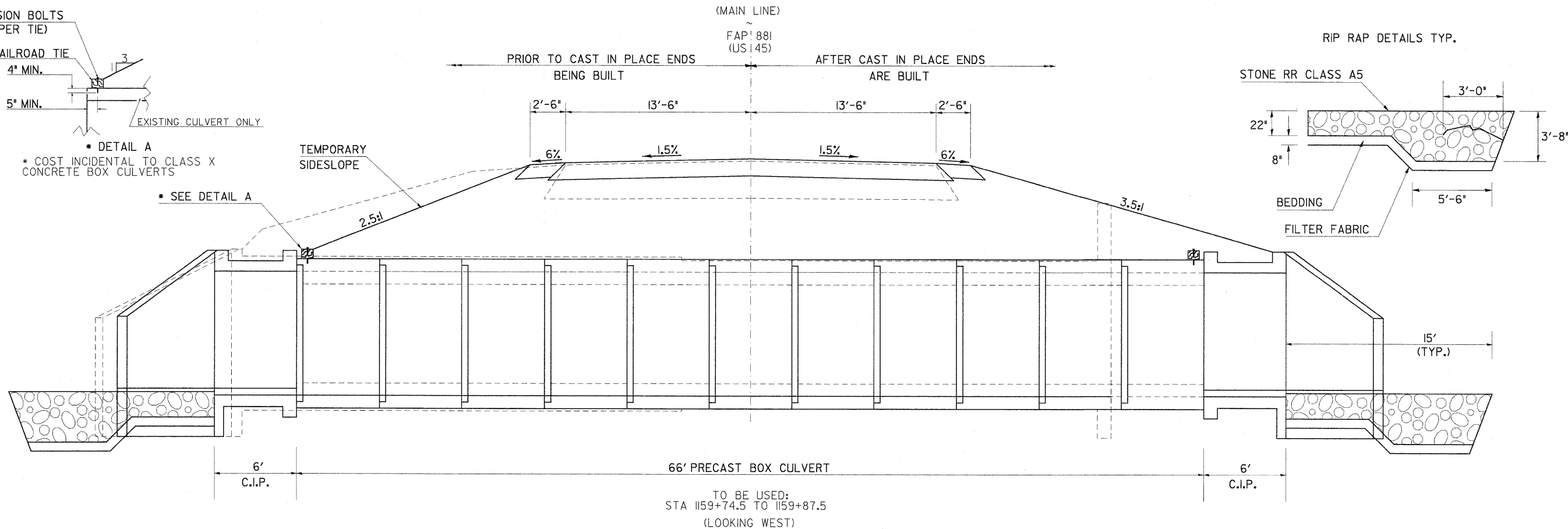


* DETAIL A
* COST INCIDENTAL TO CLASS X
CONCRETE BOX CULVERTS

* SEE DETAIL A



FILE NAME =	USER NAME = cornellm	DESIGNED -	REVISED -	STATE OF ILLINOIS DEPARTMENT OF TRANSPORTATION	TYPICAL SECTIONS SN 044-7014			F.A.P. RTE.	SECTION	COUNTY	TOTAL SHEETS	SHEET NO.			
c:\pwwork\pwwork\CORNELLM\dms49840\115978069_sht_misc.dgn		DRAWN -	REVISED -		SCALE:	SHEET NO.	OF	SHEETS	STA.	TO STA.	881/329	35B-1/18B-1	JOHNSON/PERRY	26	5
		PLOT SCALE = 4.0000" / 1"	CHECKED -		REVISED -							CONTRACT NO. 78069			
		PLOT DATE = 3/18/2009	DATE		REVISED -							ILLINOIS FED. AID PROJECT			