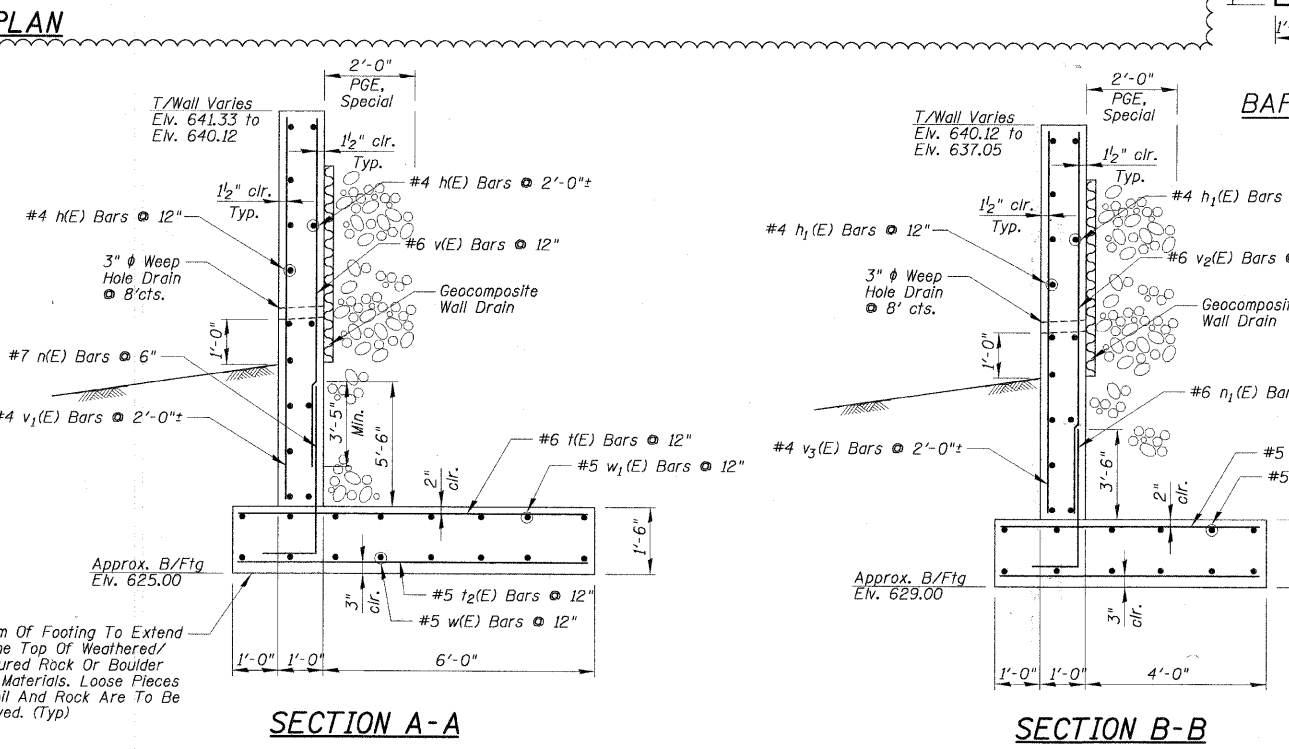
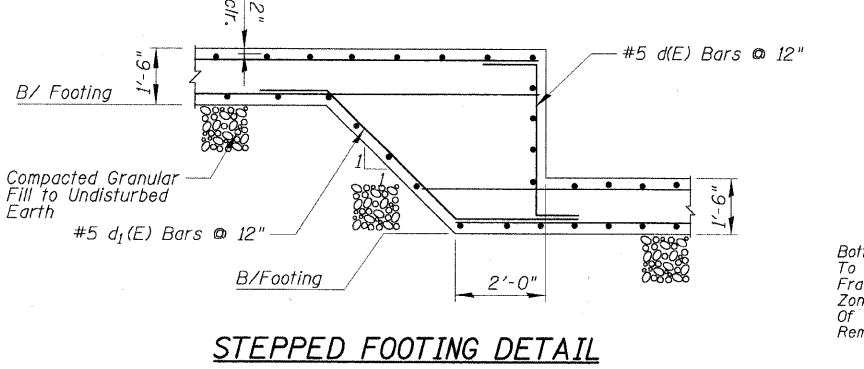
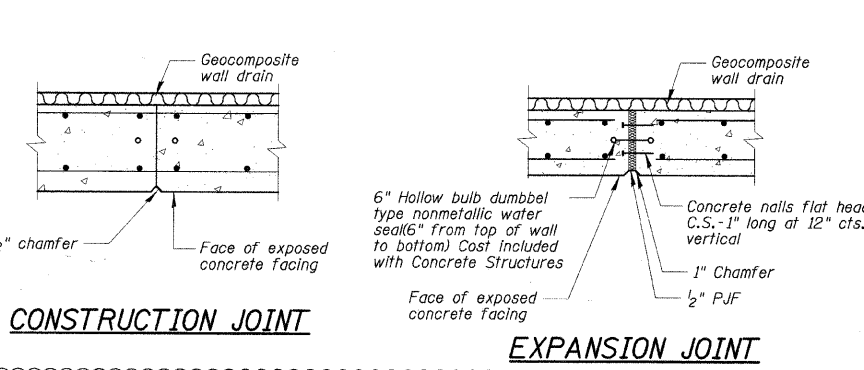
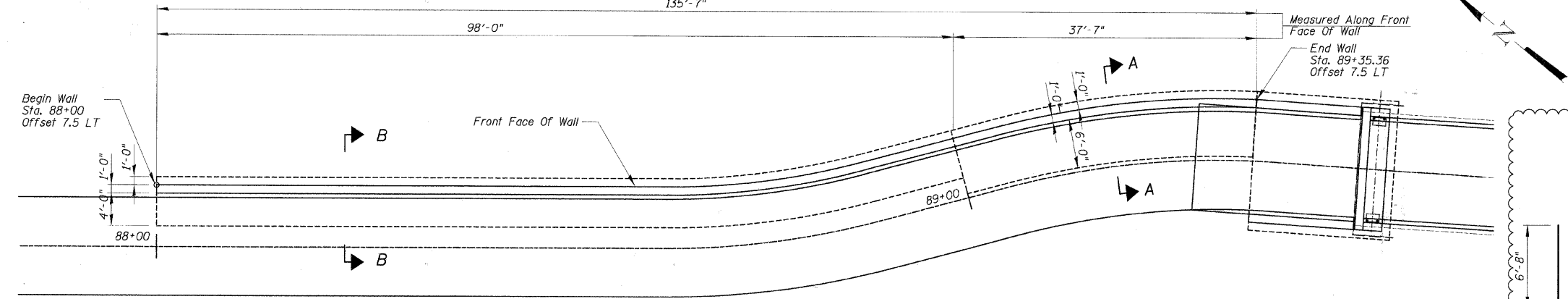
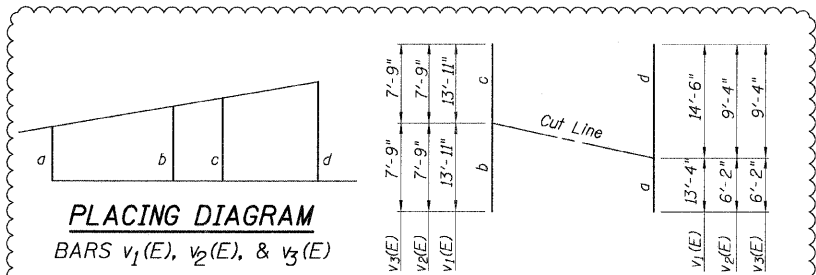
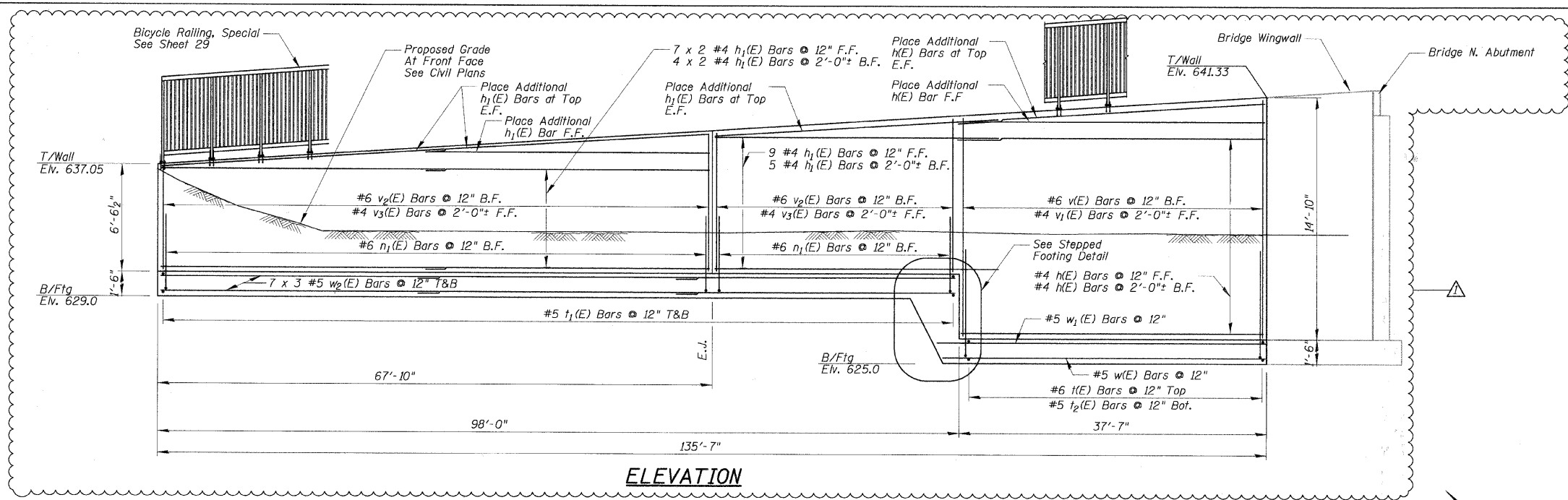


CONTRACT No. 83728

BILL OF MATERIAL (NORTH RETAINING WALL)

ITEM	DESCRIPTION	UNIT	QUANTITY
* 20700220	Porous Granular Embankment	Cu. Yd.	20
20700400	Porous Granular Embankment, Special	Cu. Yd.	106
50200100	Structure Excavation	Cu. Yd.	400
50300225	Concrete Structures	Cu. Yd.	102
50800205	Reinforcement Bars, Epoxy Coated	Pound	10,290
50901725	Bicycle Railing, Special	L.F.	135

* Special Provision
 RETAINING WALL NOTES:
 1. Contractor Shall Provide 1/2" Control Joints At 30'-0" Max. Spacing.
 2. The Walls Shall Be Backfilled To Proposed Elevation On The Front Face Prior To Backfilling Behind The Walls.



REINFORCEMENT BARS

Bar	No.	Size	Length	Shape
d(E)	7	#5	9'-6"	L
d1(E)	7	#5	10'-2"	L
n(E)	23	#4	37'-3"	—
n1(E)	41	#4	34'-8"	—
n(E)	76	#7	7'-10"	—
n1(E)	100	#6	5'-8"	—
f(E)	38	#6	7'-8"	—
t1(E)	202	#5	5'-8"	—
t1(E)	38	#5	7'-8"	—
v(E)	38	#6	12'-7"	—
v1(E)	10	#4	27'-10"	—
v2(E)	50	#6	15'-6"	—
v3(E)	25	#4	15'-6"	—
w(E)	9	#65	39'-6"	—
w1(E)	9	#5	40'-6"	—
w2(E)	42	#5	34'-1"	—
Reinforcement Bars, Epoxy Coated		Pound	10,290	

REVISIONS

NO.	NAME	DATE
1.	PER IDOT COMMENTS	5/22/09

ILLINOIS DEPARTMENT OF TRANSPORTATION
NORTH RETAINING WALL
 SCALE: NOT TO SCALE
 DATE 5/22/2009
 DRAWN BY PDR
 CHECKED BY PLB

DATE: _____
 BY: _____
 CHECKED: _____
 DATE: _____
 NO. _____

DATE: _____
 BY: _____
 CHECKED: _____
 DATE: _____
 NO. _____