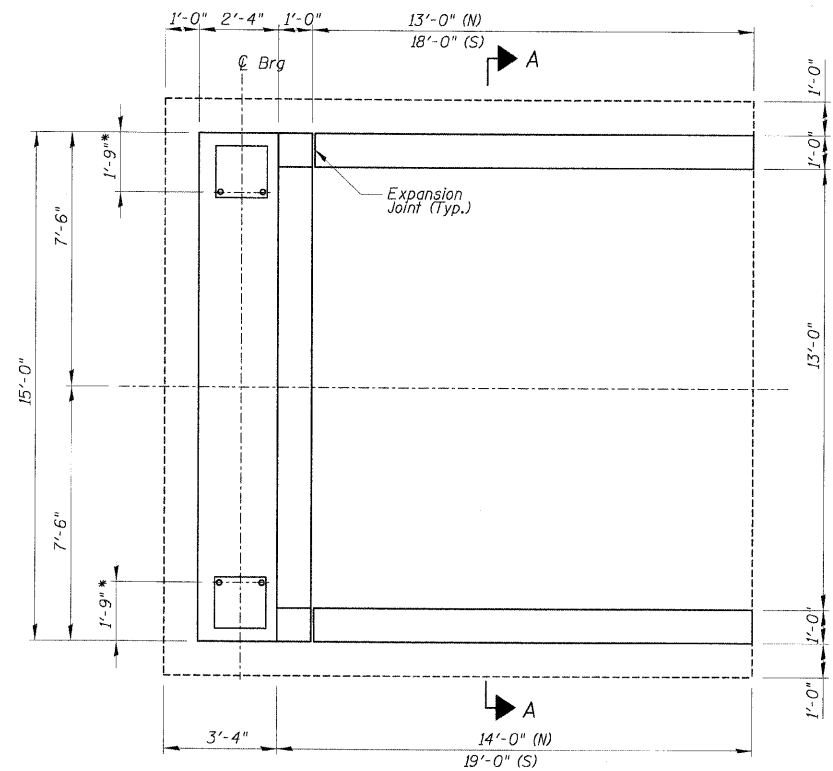
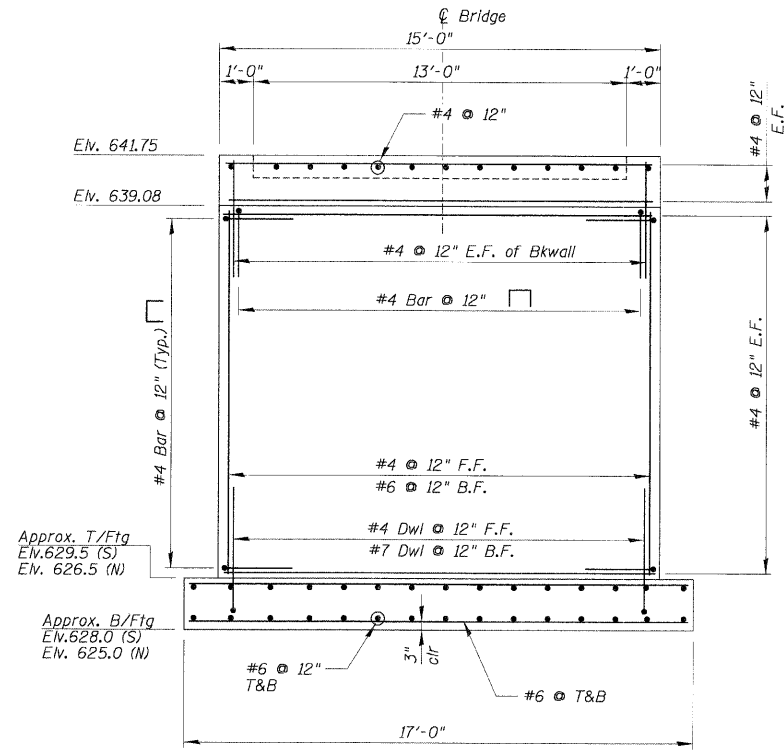


CONTRACT No. 83728

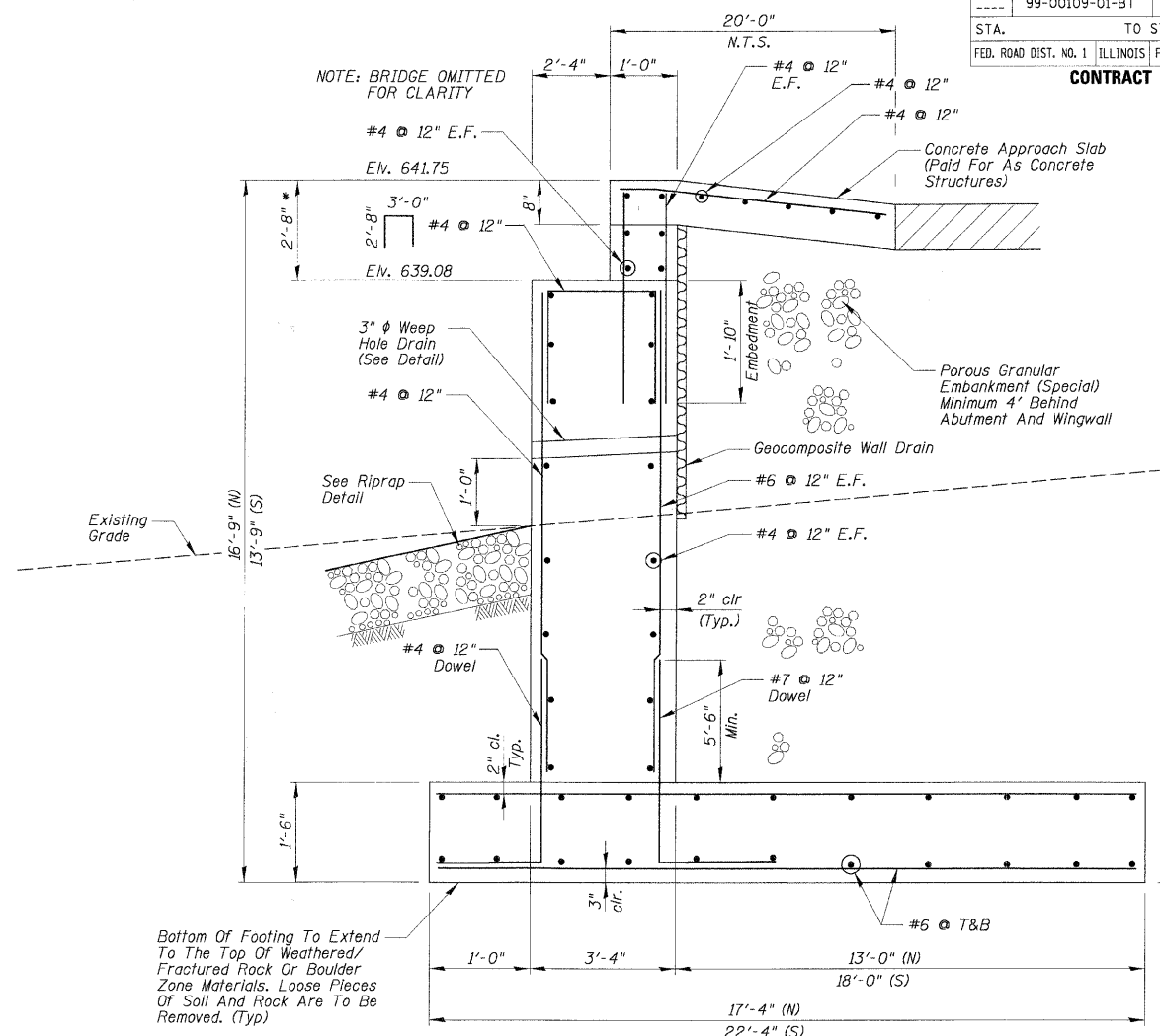
PLAN	DATE
BY	
REVISIONS	
NO.	
DATE	
BY	
REVISIONS	
NO.	
DATE	
BY	



ABUTMENT PLAN

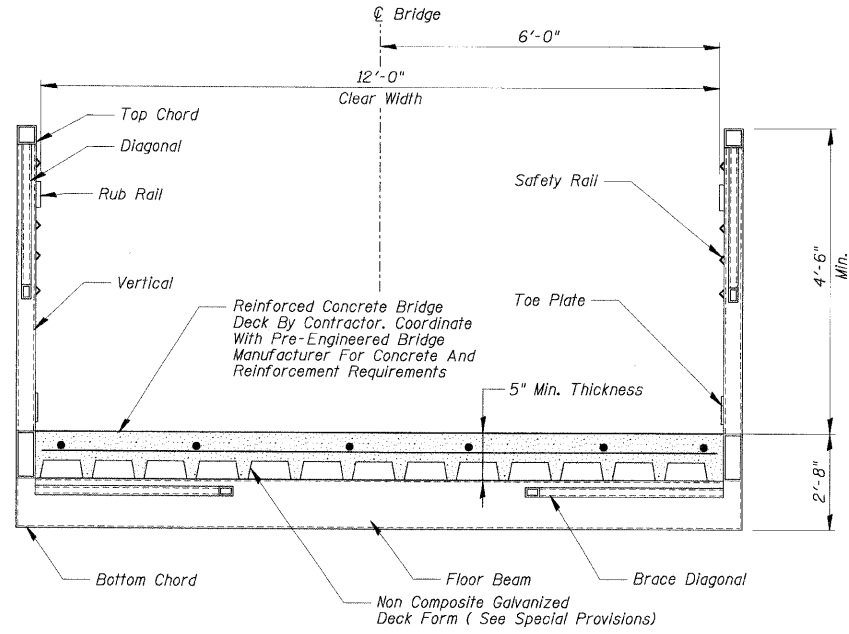


ABUTMENT ELEVATION

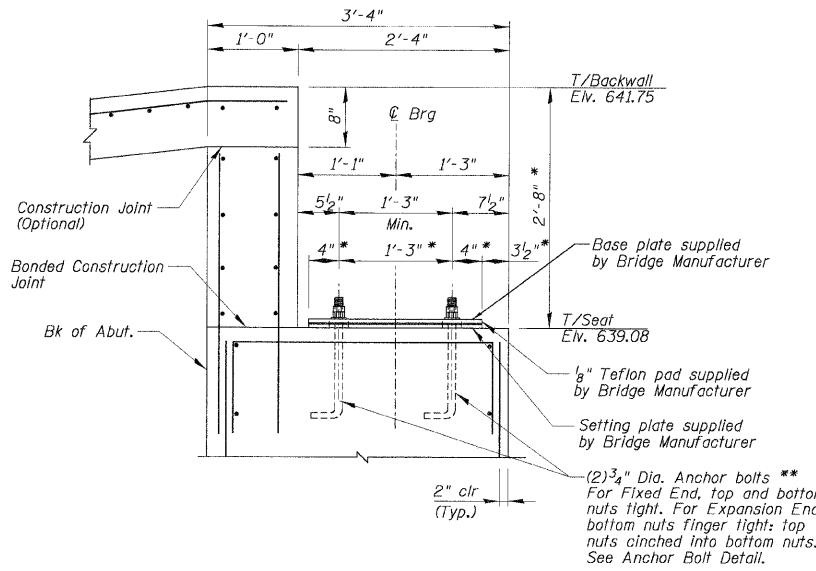


SECTION THRU ABUTMENT

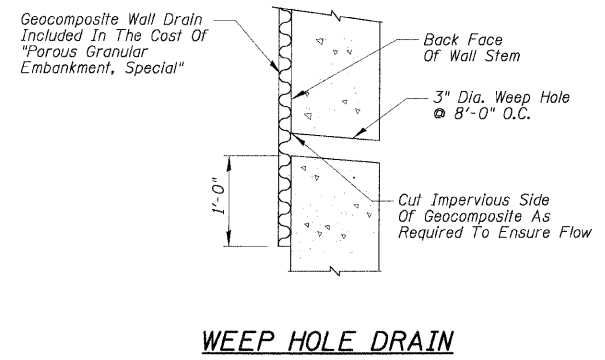
PROFILE	DATE
BY	
REVISIONS	
NO.	
DATE	
BY	
REVISIONS	
NO.	
DATE	
BY	



SECTION THRU FABRICATED BRIDGE SUPERSTRUCTURE



BEARING DETAIL AT ABUTMENTS



WEEP HOLE DRAIN

NOTES:

- * Contractor shall coordinate all dimensions with Bridge Manufacturer prior to construction.
- ** Contractor has the option of substituting anchor bolts with 4-3/4" ϕ HILTI HAS-EE AISI 304 SS Bolts embedded 6 3/8" into HIT HY 150 Injection adhesive. Bolts shall not be placed less than 5" from the edge of the structure or less than 6" apart. Contractor shall coordinate plate dimensions, bolt spacing and bolt quantity with Bridge Manufacturer prior to construction.

REVISIONS	
NAME	DATE

ILLINOIS DEPARTMENT OF TRANSPORTATION
BRIDGE 2
STA. 90 + 40.00
ABUTMENTS AND BRIDGE SECTION

SCALE: NOT TO SCALE
 DATE 3/30/2009
 DRAWN BY PDR
 CHECKED BY PLB