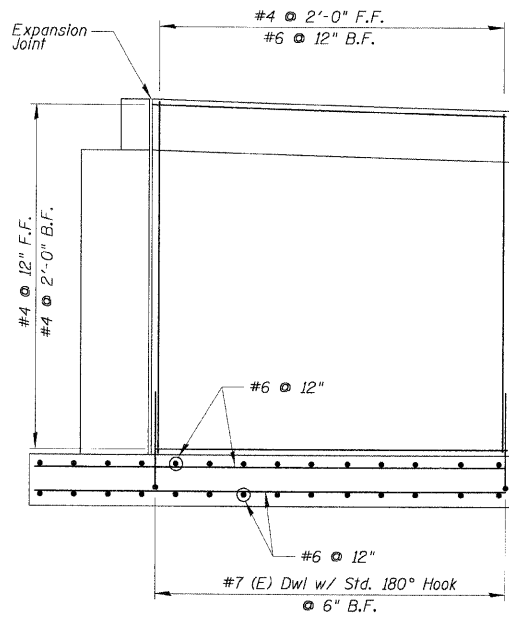
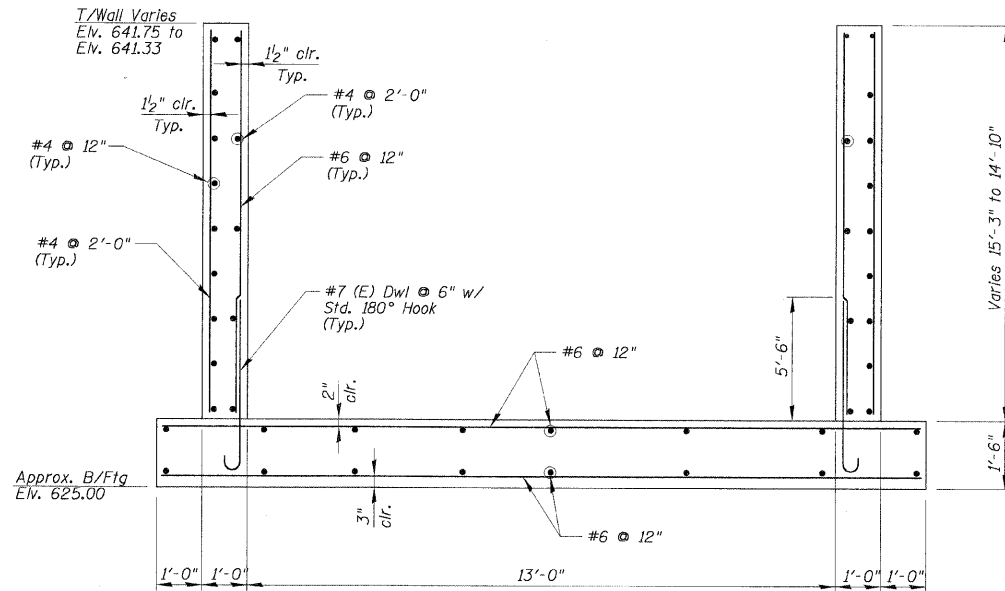


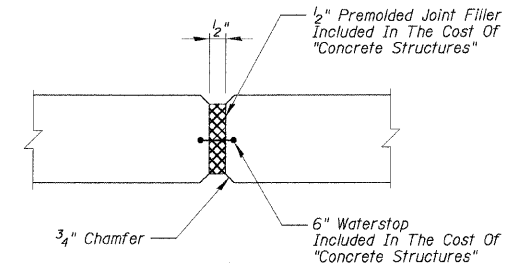
CONTRACT No. 83728



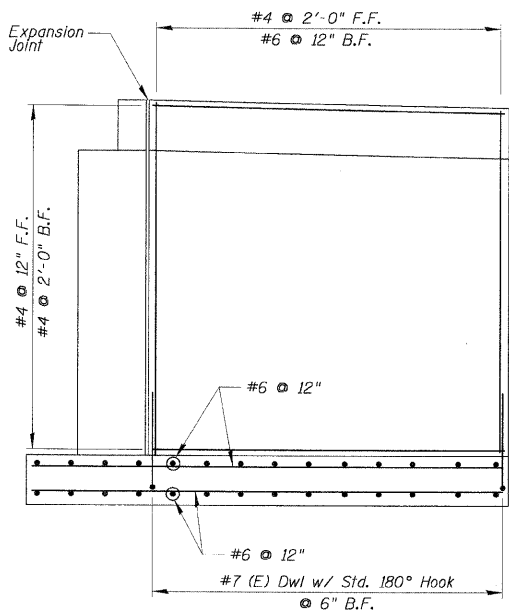
WINGWALL ELEVATION (N)



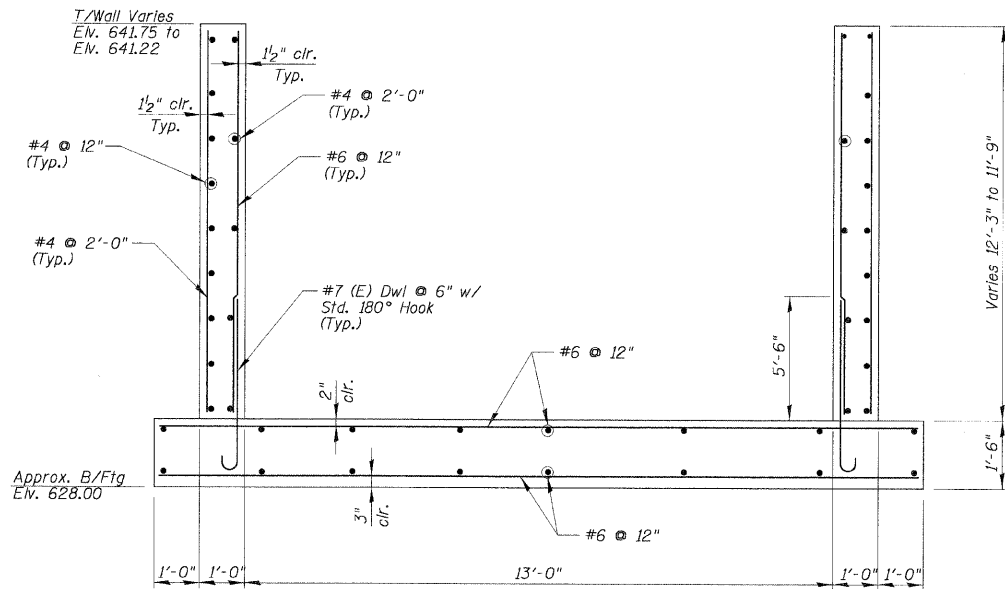
SECTION A-A (N)



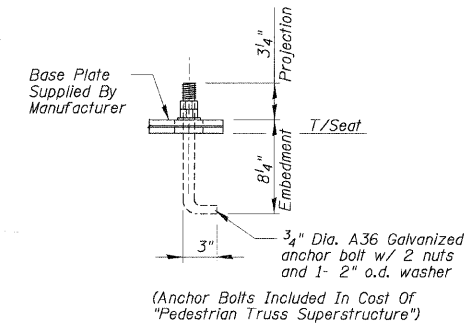
TYPICAL EXPANSION JOINT DETAIL



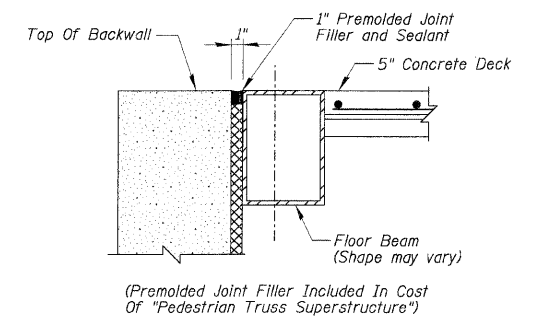
WINGWALL ELEVATION (S)



SECTION A-A (S)



ANCHOR BOLT DETAIL



JOINT SEAL AT ABUTMENT

REVISIONS	
NAME	DATE

ILLINOIS DEPARTMENT OF TRANSPORTATION
BRIDGE 2
STA. 90 + 40.00
WINGWALL AND DETAILS

SCALE: NOT TO SCALE
 DATE 3/30/2009

DRAWN BY PDR
 CHECKED BY PLB

PLAN	DESIGNED	BY	DATE
	CHECKED		
	NOTE BOOK		
	NO.		

PROFILE	DESIGNED	BY	DATE
	CHECKED		
	NOTE BOOK		
	NO.		

3/30/2009