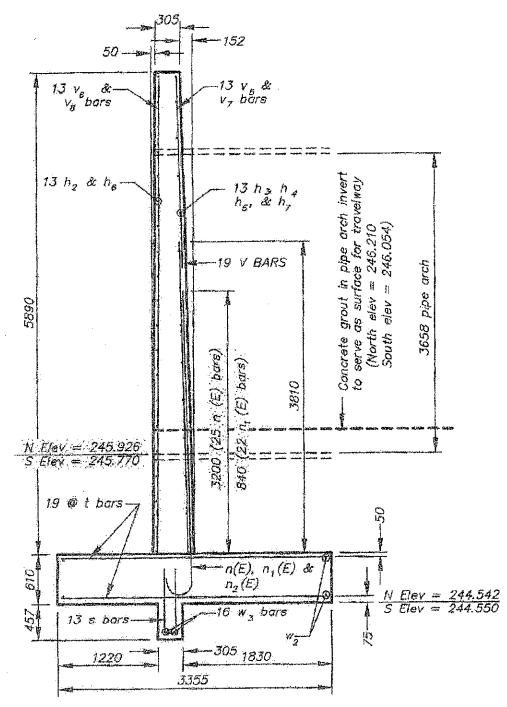
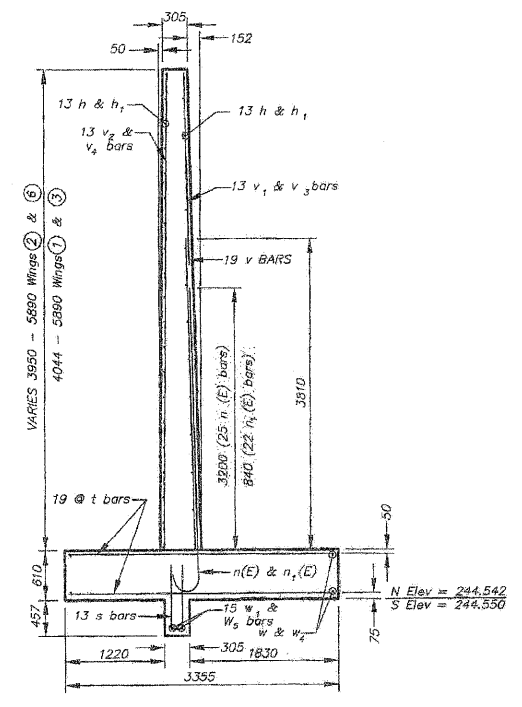


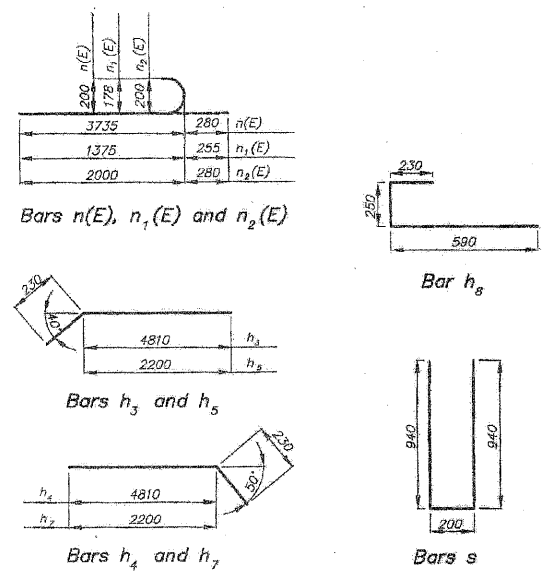
SECTION	COUNTY	SHEET NO.	TOTAL SHEETS
07-00287-00-87	WINNEBAGO	3	3
TO STA.		FROM STA.	
FED ROAD DIST NO 7		ILLINOIS	



SECTION THROUGH HEADWALL  
SCALE: 1:200mm

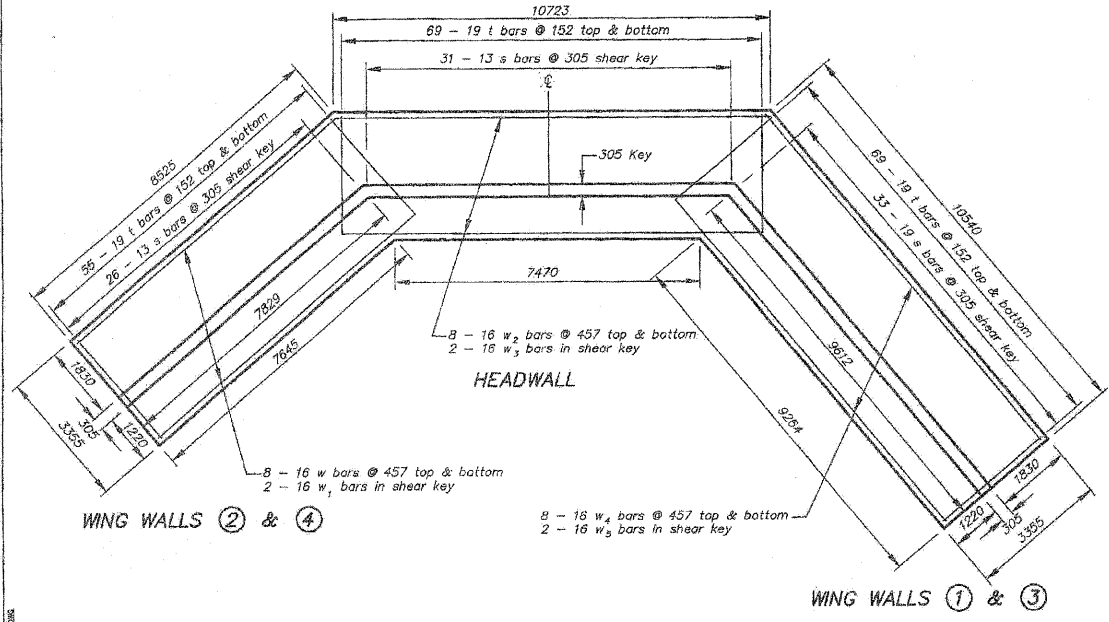


SECTION THROUGH WINGWALLS  
SCALE: 1:200mm

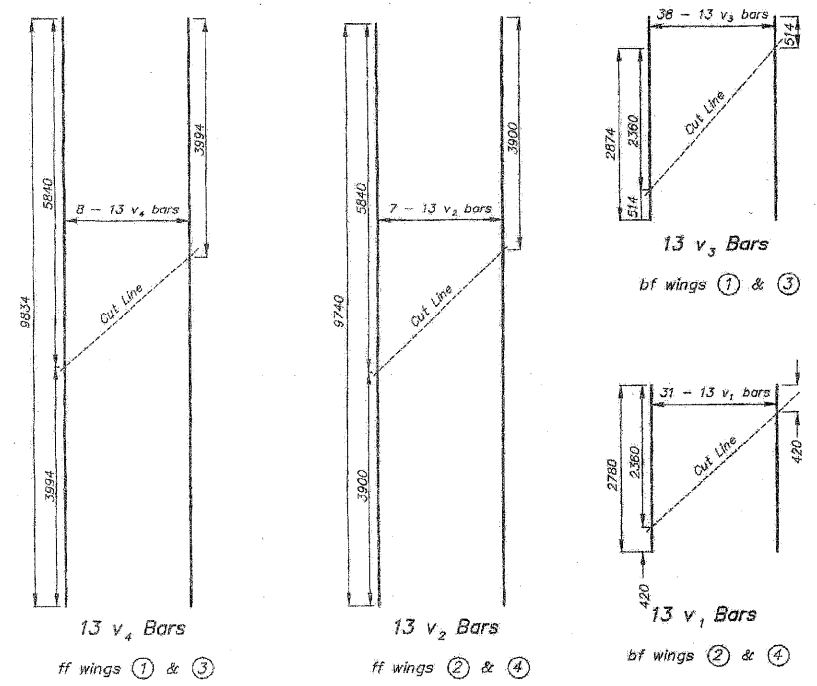


BAR BENDING DIAGRAMS  
Not to Scale

BILL OF MATERIAL				
BAR	NO.	SIZE	LENGTH mm	SHAPE
h	62	13	7475	—
h1	62	13	9307	—
h2	64	13	4890	—
h3	16	13	5040	—
h4	16	13	5040	—
h5	12	13	2430	—
h6	44	13	2880	—
h7	12	13	2430	—
h8	56	13	1070	—
n(E)	162	25	4015	—
n1(E)	170	22	1630	—
n2(E)	88	25	2280	—
t	386	19	3255	—
s	180	13	2080	—
v	170	19	3810	—
v1	62	13	2780	—
v2	14	13	9740	—
v3	76	13	2870	—
v4	16	13	9834	—
v5	32	13	2360	—
v6	16	13	5840	—
v7	44	13	2750	—
v8	18	13	2750	—
w	16	16	8500	—
w1	4	16	7830	—
w2	16	16	10720	—
w3	4	16	8690	—
w4	16	16	10540	—
w5	4	16	9620	—
Concrete Headwall	cu. m.		232	
Reinforcing Bars	Kg		8296	
Reinforcing Bars, Epoxy Coated	Kg		4224	
Porous Granular Backfill	cu. m.		3281	



WING WALL/HEADWALL FOOTING DETAIL  
SCALE: 1:100mm



FIELD CUTTING DIAGRAMS  
Order bars full length. Cut as shown and use remainder of bars in opposite wing.  
Scale 1:5mm

NOTE:  
bf = back face  
ff = front face



REVISIONS	
NAME	DATE

ILLINOIS DEPARTMENT OF TRANSPORTATION  
STRUCTURAL SECTIONS  
PECATONICA PRAIRIE PATH  
UNDER F.A. ROUTE 301 (U.S.20)  
WINNEBAGO COUNTY  
STRUCTURE NO. 101-0185  
SCALE: PER VIEW  
DATE: AUGUST 13, 2007  
DRAWN BY: JED MEAL-III  
CHECKED BY: JTT MEAL-III

REVISIONS		
NO.	ITEM	DATE
2	REVIEW COMMENTS	1/22/09

PLOTTING SCALE: 1:1  
DRAWN BY: REK  
CHECKED BY:  
DATE: OCTOBER, 2008

**McClure Engineering Associates, Inc.**  
7282 Argus Drive Rockford, Illinois 61107-5837  
18151 398-2332 FAX (815) 398-2496  
Design Firm License: Illinois 184-000816  
Copyright 2006 By McClure Engineering Associates, Inc.

**ROUTE 20 PATH CROSSING-HEADWALL**  
PECATONICA PRAIRIE PATH Contract 85443  
WINNEBAGO COUNTY HIGHWAY DEPARTMENT SECTION 94-00207-00-87  
FILE NAME: G:\surveys\PECPATH\1ST RELEASE\96-037 headwall.dwg JOB NUMBER: 04-28-98-037

SHEET NO.  
82  
OF  
98